

CATALOG #64 2024



USDOT 3113354



BANJO LIQUID HANDLING PRODUCTS

CONNECT WITH CONFIDENCE™

CATALOG #65 EFFECTIVE OCTOBER 2023



INDEX

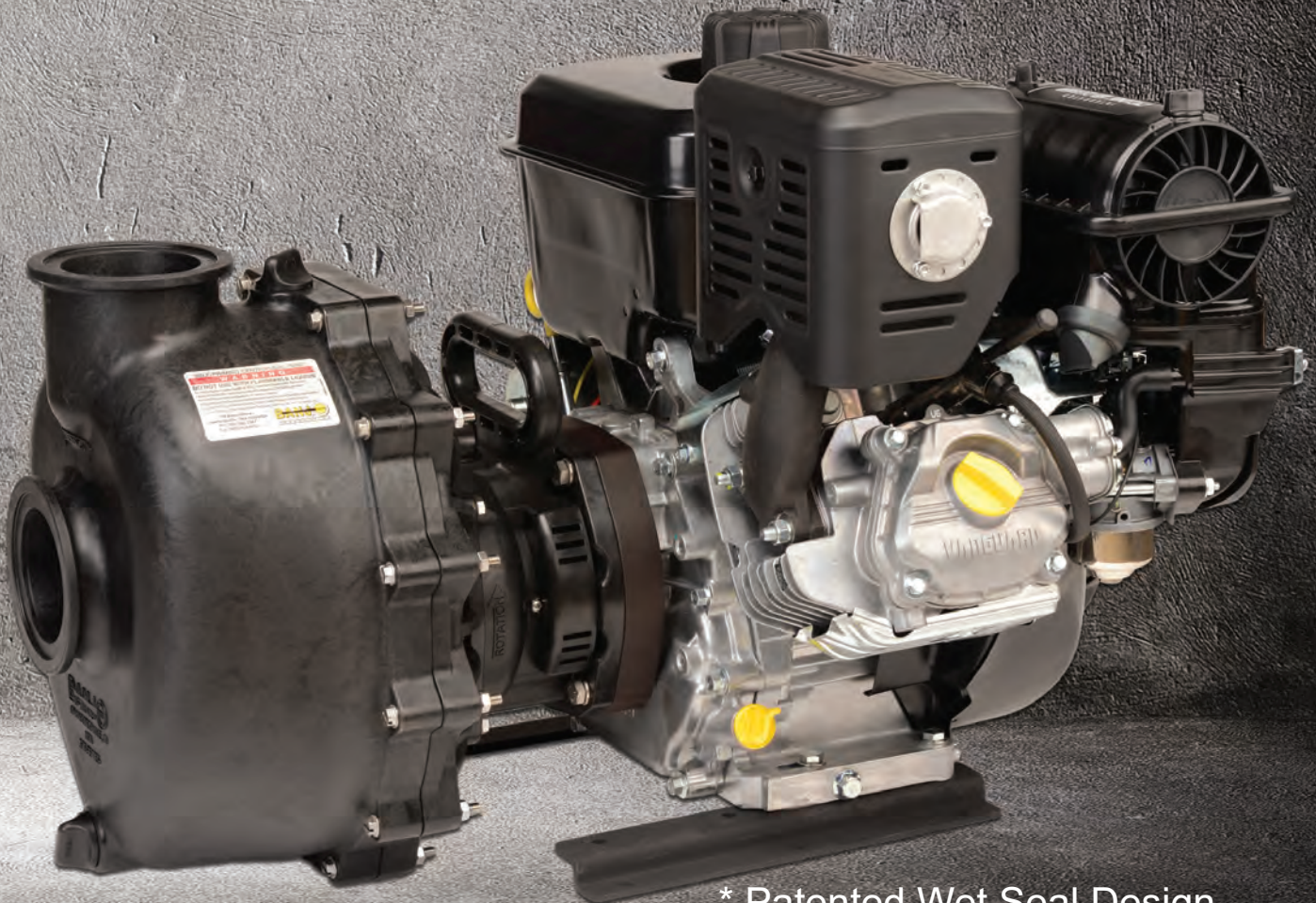
| | |
|-----------------------------|---------|
| NEW & RETURNING | 3-6 |
| VALVES | 7-18 |
| ELECTRIC VALVES | 19-24 |
| MANIFOLD FLANGE CONNECTIONS | 25-52 |
| DRY DISCONNECTS | 53-63 |
| IBC/TANK ACCESSORIES | 64-72 |
| CAM LEVER COUPLINGS | 73-77 |
| PIPE FITTINGS | 78-83 |
| LINE STRAINERS | 84-95 |
| CENTRIFUGAL PUMPS | 96-155 |
| REFERENCE | 156-168 |

INTRODUCING

A **NEW** STANDARD
FOR **AGRICULTURAL**
TRANSFER PUMPS

500+ gallons per minute

No Leaks. No Wear. No Worries.



* Patented Wet Seal Design

NEW PRODUCTS



3" POLY MANIFOLD WET SEAL PUMP ONLYS

| PART NO | DESCRIPTION | HP | QTY | SKID QTY |
|----------|--------------------------------------------------------------|-----|-----|----------|
| M350POW | 3" POLY MANIFOLD WET SEAL PUMP ONLY FOR 1" SHAFT GAS ENGINES | N/A | 1 | 27 |
| M350PEOW | 3" POLY MANIFOLD WET SEAL PUMP ONLY FOR ELECTRIC MOTOR | N/A | 1 | 27 |



3" POLY MANIFOLD WET SEAL PUMP W/HYDRAULIC

| PART NO | DESCRIPTION | HP | QTY | SKID QTY |
|----------|----------------------------------------------------------------|-----|-----|----------|
| M350PHYW | 3" POLY MANIFOLD WET SEAL PUMP W/HYDRAULIC PEDESTAL (NO MOTOR) | N/A | 1 | 12 |
| M350PHAW | 3" POLY MANIFOLD WET SEAL PUMP ONLY FOR HYDRAULIC MOTOR | N/A | 1 | 12 |



3" POLY WET SEAL BEARING PEDESTAL

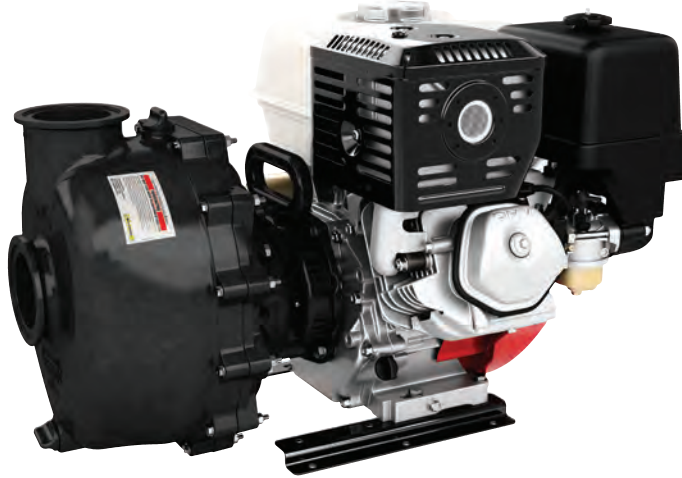
| PART NO | DESCRIPTION | HP | QTY | SKID QTY |
|---------|-----------------------------------------------------------------|-----|-----|----------|
| M350PBW | 3" POLY WET SEAL BEARING PEDESTAL W/ 1" SHAFT & 5 VANE IMPELLER | N/A | 1 | 12 |



4" PLUMBING FITTINGS

| PART NO | DESCRIPTION | QTY |
|------------|-------------------------------|-----|
| M300400A | 3" Manifold x 4" Male Coupler | 1 |
| M300400BRB | 3" Manifold x 4" Hose Barb | 1 |

NEW PRODUCTS



3" POLY MANIFOLD WET SEAL PUMPS W/GAS ENGINES

| PART NO | DESCRIPTION | HP | QTY | SKID QTY |
|-------------|---------------------------------------------------------|----|-----|----------|
| M350PVAN14W | 3" POLY MANIFOLD WET SEAL PUMP W/14 HP VANGUARD® ENGINE | 14 | 1 | 6 |
| M350PH13W | 3" POLY MANIFOLD WET SEAL PUMP W/13 HP HONDA® ENGINE | 13 | 1 | 6 |



3" POLY MANIFOLD WET SEAL PUMP W/ELECTRIC MOTOR

| PART NO | DESCRIPTION | HP | QTY | SKID QTY |
|-----------|-------------------------------------------------------|-----|-----|----------|
| M350PE15W | 3" POLY MANIFOLD WET SEAL PUMP W/15 HP ELECTRIC MOTOR | N/A | 1 | 1 |

COMING 2024



1" POLY DRY-FITS

| PART NO | DESCRIPTION | MAX PSI | PIPE SIZE | OPENING THRU BALL | QTY |
|---------|---------------------------------|---------|-----------|-------------------|-----|
| DF100A | 1" MALE X FPT NPT W/FKM SEALS | 100 | 1" | 1" | 1 |
| DF100D | 1" FEMALE X FPT NPT W/FKM SEALS | 100 | 1" | 1" | 1 |

M350 MANIFOLD POLY WET SEAL PUMPS

FEATURES

- 500+ Gallons per Minute
- Polymer components molded from polypropylene
- EPDM seals
- All stainless steel hardware
- Patented tandem wet seal design produces less wear and prevents seal breakage from high pressure clean out
- Eliminates eight leak points
- Works with natural system pressure to keep seal intact
- No exposed moving parts
- Typical operating speed: 3600 RPM
- Run dry capability of greater than one hour.
- Capable of handling occasional solid particles in suspension up to ½" in diameter.
- Maximum self-priming height 25 ft (7.6 m)
- Engine warranty service available at authorized dealers
- See pages 39-45 on manifold fittings for easy plumbing.

1" POLY DRY-FIT

FEATURES

- Double poly-ball valves with integrated quick disconnect.
- 1" full-port (unrestricted flow)
- Allows high pressures and flow
- Economical and simpler design without handle locking feature
- 90% less spillage vs. 2 standard valves connected via a coupling.



RETURNING PRODUCTS

AVAILABLE NOW

VALVE REPAIR KITS & HANDLES

| PART NO | DESCRIPTION | QTY |
|----------|-------------------------------------|-----|
| V20200 | KIT FOR V125FP, V150, V200 | 1 |
| V40200 | KIT FOR V400 | 1 |
| V20353TS | T HANDLE FOR V125SL, V150SL | 1 |
| VS30200 | KIT FOR MVSF300, MVSMT300, MVS300CF | 1 |
| V25200BL | KIT FOR MV220BL | 1 |

2" POLY DRY-MATES

| PART NO | DESCRIPTION | MAX PSI | PIPE SIZE | OPENING THRU BALL | QTY |
|---------|-------------------------------------|---------|-----------|-------------------|-----|
| DM200AT | 2" MALE X FPT NPT W/KALREZ® SEALS | 100 | 2" | 1½" | 1 |
| DM200DT | 2" FEMALE X FPT NPT W/KALREZ® SEALS | 100 | 2" | 1½" | 1 |

GASKETS

| PART NO | DESCRIPTION | HOLE SIZE | FITS POLY | FITS SS | LOT QTY |
|---------|-----------------------------------|-----------|---------------|-------------------|---------|
| TF100G | 1" & ¼" POLY BULKHEAD EPDM GASKET | 2¼" | TF100 & TF125 | TF100SS & TF125SS | 25 |
| TF100GV | 1" & ¼" POLY BULKHEAD FKM GASKET | 2¼" | TF100 & TF125 | TF100SS & TF125SS | 10 |

PIPE FITTINGS

| PART NO | DESCRIPTION | MAX PSI | LOT QTY |
|------------|------------------------------------|---------|---------|
| CR025 | ¼" POLY CROSS | 300 | 10/BAG |
| CR038 | ⅜" POLY CROSS | 300 | 10/BAG |
| HB038-025 | ⅜" MALE THREAD X ¼" HOSE BARB | 300 | 10/BAG |
| HBF100-90 | 1" FEMALE THREAD X 1" 90 HOSE BARB | 300 | 10/BAG |
| HBT025 | ¼" HOSE BARB TEE | 300 | 10/BAG |
| HBT050-038 | ½" X ⅜" HOSE BARB TEE | 300 | 10/BAG |
| RB050-018 | ½" MNPT X ⅛" FNPT REDUCER BUSHING | 300 | 10/BAG |
| RB100-018 | 1" MNPT X ⅛" FNPT REDUCER BUSHING | 300 | 10/BAG |
| RB125-038 | 1" X ⅜" FPT REDUCING BUSHING | 300 | 10/BAG |

1½" LSQ STRAINERS

| PART NO | DESCRIPTION | MAX PSI | LOT QTY |
|------------|---------------------------------|---------|---------|
| LSS300-C | 3" Stainless Steel Line Cap | N/A | 1 |
| LST220SS | 20 MESH SS SCREEN | N/A | 1 |
| LSQ150-B/C | 1½" X 1½" LSQ STRAINER BODY/CAP | N/A | 1 |
| LSQ200-GV | 2" FKM GASKET | N/A | 1 |

2" POLY PUMP W/GAS ENGINES

| PART NO | DESCRIPTION | HP | QTY | SKID QTY |
|----------|----------------------------------------------------------------------------------|-----|-----|----------|
| 12049F | HYDRAULIC PEDESTAL HOUSING | N/A | 1 | N/A |
| 17049A | HYDRAULIC ADAPTER | N/A | 1 | N/A |
| 333POICF | 3" CAST IRON PUMP ONLY W/1⅜" SHAFT & 5 VANE IMPELLER UNASSEMBLED FOR 215TC FRAME | N/A | 1 | 6 |

MANIFOLD

| PART NO | DESCRIPTION | MAX PSI | LOT QTY |
|-------------|--------------------------------------------------------|---------|---------|
| M300BRBWP90 | 3" FLANGE X HOSE BARB SWEEP W/ ¼" GAUGE PORT | 225 | 1 |
| M101GSA | 1" FULL PORT FLANGE X 1" PVC GLUE SOCKET FITTING | 300 | 10 |
| M200YG45 | 2" 45° Y FLANGE W/ ¼" GAUGE PORT | 225 | 1 |
| M300CPG12G | 3" X 3" FULL PORT FLANGE X 12" LONG WITH ½" GAUGE PORT | 150 | 1 |
| M300CPG55G | 3" X 3" FULL PORT FLANGE X 5.5" W/ ½" PORT | 150 | 1 |
| MLSTM100-80 | 1" MANIFOLD MINI T STRAINER 80 MESH | 300 | 1 |
| MLSTM100HB | 1" MANIFOLD MINI T STRAINER HEAD & BOWL | N/A | 1 |
| MLSTM100HBC | 1" MANIFOLD MINI T STRAINER HEAD & CLEAR BOWL | N/A | 1 |
| MTF100BD | 1" FLANGE X 1" FEMALE THREAD W/EPDM GASKET | 300 | 10 |

EASY-FILL™ VALVES

FEATURES

- Eliminates multiple fittings for fill applications
- Available in 2" and 3" sizes
- Full flow (full port) design
- Stubby valve configuration reduces profile
- Extended coupler prevents handle interference



EASY-FILL™ VALVES

| PART NO | DESCRIPTION | MAX PSI | LOT QTY |
|-----------|----------------------------------------------|---------|---------|
| VSBB204FP | 2" FULL PORT EASY-FILL™ VALVE | 150 | 2/BOX |
| VSBB205FP | 2" FULL PORT EASY-FILL™ VALVE W/CARRY HANDLE | 150 | 4/BOX |
| VSBB304FP | 3" FULL PORT EASY-FILL™ VALVE | 150 | 2/BOX |
| VSBB305FP | 3" FULL PORT EASY-FILL™ VALVE W/CARRY HANDLE | 150 | 4/BOX |
| H25053 | 2" & 3" CARRY HANDLE | N/A | 1 |

VALVES

1/4" -1" POLY MICRO VALVES

FEATURES

- 90° rotating handle
- 90° locking, rotating handle (with asterisk *)
- Precision molded polypropylene is reinforced with fiberglass for additional strength.
- Standard FKM seats and O-Rings

JG John Guest® Fitting

The brand "John Guest" is a registered trademark of John Guest International Limited.



MICRO VALVES

| PART NO | DESCRIPTION | MAX PSI | THREAD SIZE | OPENING THRU BALL | LOT QTY |
|------------|------------------------------------|---------|-------------|-------------------|---------|
| LV025V | 1/4" FEMALE NPT MICRO VALVE | 300 | 1/4" | 3/8" | 10 |
| LV038V | 3/8" FEMALE NPT MICRO VALVE | 300 | 3/8" | 3/8" | 10 |
| LV050V | 1/2" FEMALE NPT MICRO VALVE | 300 | 1/2" | 15/32" | 10 |
| LV050SLV | 1/2" SIDE LOAD MICRO VALVE | 300 | 1/2" | 1/2" | 10 |
| LV050SLLV* | 1/2" SIDE LOAD LOCKING MICRO VALVE | 300 | 1/2" | 15/32" | 10 |

MICRO VALVES

| PART NO | DESCRIPTION | MAX PSI | THREAD SIZE | OPENING THRU | LOT QTY |
|----------|----------------------------|---------|-------------|--------------|---------|
| LVHB038V | 3/8" HOSE BARB MICRO VALVE | 300 | 3/8" | 3/8" | 10 |
| LVHB050V | 1/2" HOSE BARB MICRO VALVE | 300 | 1/2" | 3/8" | 10 |
| LVHB075V | 3/4" HOSE BARB MICRO VALVE | 300 | 3/4" | 15/32" | 10 |

MICRO VALVES

| PART NO | DESCRIPTION | MAX PSI | THREAD SIZE | OPENING THRU BALL | LOT QTY |
|---------------|-------------------------------------------------|-----------|-------------|-------------------|---------|
| LV025MTV | 1/4" FEMALE X MALE NPT MICRO VALVE | 300 | 1/4" | 3/8" | 10 |
| LV038MTV | 3/8" FEMALE X MALE NPT MICRO VALVE | 300 | 3/8" | 3/8" | 10 |
| LV038050MTV | 3/8" FEMALE X 1/2" MALE NPT MICRO VALVE | 300 | 3/8" x 1/2" | 3/8" | 10 |
| LV038050MTLV* | 3/8" FEMALE X 1/2" MALE NPT LOCKING MICRO VALVE | No Match! | 3/8" x 1/2" | 3/8" | 10 |
| LV050MTV | 1/2" FEMALE X MALE NPT MICRO VALVE | 300 | 1/2" | 15/32" | 10 |
| LV050100MTV | 1/2" FEMALE X 1" MALE NPT MICRO VALVE | 300 | 1/2" | 15/32" | 10 |
| LV050100MTLV* | 1/2" FEMALE X 1" MALE NPT LOCKING MICRO VALVE | No Match! | 1/2" x 1" | 15/32" | 10 |

MICRO VALVES

| PART NO | DESCRIPTION | MAX PSI | THREAD SIZE | OPENING THRU BALL | LOT QTY |
|----------------|--------------------------------------------------|---------|-------------|-------------------|---------|
| LVHB038050MTV | 3/8" HOSE BARB X 1/2" MALE NPT MICRO VALVE | 300 | 1/2" | 3/8" | 10 |
| LVHB075MTV | 3/4" HOSE BARB X 3/4" MALE NPT MICRO VALVE | 300 | 3/4" | 1/2" | 10 |
| LVHB075100MTV | 3/4" HOSE BARB X 1" MALE NPT MICRO VALVE | 300 | 1" | 15/32" | 10 |
| LVHB075100MTLV | 3/4" HOSE BARB X 1" MALE NPT LOCKING MICRO VALVE | 300 | 1" | 15/32" | 10 |

MICRO VALVES

| PART NO | DESCRIPTION | MAX PSI | THREAD SIZE | OPENING THRU BALL | LOT QTY |
|----------|-----------------------------------|---------|-------------|-------------------|---------|
| LVPL025V | 1/4" FEMALE PUSH LOCK MICRO VALVE | 300 | 1/4" | 3/8" | 10 |
| LVPL038V | 3/8" FEMALE PUSH LOCK MICRO VALVE | 150 | 3/8" | 3/8" | 10 |

1/2" - 2" 4 BOLTED VALVES



V100FP

V125

V200

4 BOLTED VALVES

| PART NO | DESCRIPTION | MAX PSI | PIPE SIZE | OPENING THRU | LOT QTY | REPLACEMENT HANDLE | REPAIR KIT |
|---------|----------------------------|---------|-----------|--------------|---------|--------------------|------------|
| V050 | 1/2" FULL PORT VALVE | 300 | 1/2" | 3/4" | 6 | V10153A | N/A |
| V075 | 3/4" FULL PORT VALVE | 300 | 3/4" | 3/4" | 12 | V10153A | N/A |
| V100 | 1" STANDARD PORT VALVE | 225 | 1" | 3/4" | 12 | V10153A | N/A |
| V100FP | 1" FULL PORT VALVE | 300 | 1" | 1" | 12 | V10153A | V10200 |
| V125 | 1 1/4" STANDARD PORT VALVE | 300 | 1 1/4" | 1" | 6 | V10153A | V10200 |
| V125FP | 1 1/4" FULL PORT VALVE | 225 | 1 1/4" | 1 1/2" | 6 | V20153 | V20200 |
| V150 | 1 1/2" FULL PORT VALVE | 225 | 1 1/2" | 1 1/2" | 6 | V20153 | V20200 |
| V200 | 2" STANDARD PORT VALVE | 225 | 2" | 1 1/2" | 12 | V20153 | V20200 |

FEATURES

- FKM seals.
- Precision molded polypropylene is reinforced with fiberglass for additional strength.
- Self-aligning ball moves freely against the PTFE seats for smooth operation. The valve opens and closes with very little pressure on the handle.
- Ball is diamond turned, after molding, to make it spherically perfect, which provides precise contact between ball and seats.
- PTFE self-lubricating stem bushings and seats cannot stick or bind.
- Stainless steel bolts.

REPAIR KIT INCLUDES:

- Ball
- Body gasket
- Thrust washer
- Ball seats
- Upper stem bushing
- Stem o-ring

VALVE ACCESSORIES



V25270

V25271

FEATURES

- 304 stainless steel construction
- Installs under valve handle
- Comes complete with handle and locking device
- Padlock not included

VALVE ACCESSORIES



| PART NO | DESCRIPTION | FITS VALVES | LOT QTY |
|-----------|------------------------------|--------------------|---------|
| VL20153 | LOCKING DEVICE | V125, V150, V200 | 1 |
| V10270 | STRAIGHT MOUNTING BRACKET | V100FP, V125 | 1 |
| V10271 | 90° MOUNTING BRACKET | V100FP, V125 | 1 |
| V25270 | STRAIGHT MOUNTING BRACKET | V125FP, V150, V200 | 1 |
| V25271 | 90° MOUNTING BRACKET | V125FP, V150, V200 | 1 |
| V10153138 | 1" X 1 3/8" HANDLE OFFSET | V100FP, V125 | 1 |
| V20153138 | 2" FP X 1 3/8" HANDLE OFFSET | V125FP, V150, V200 | 10 |
| V25153138 | 2" FP X 1 3/8" HANDLE OFFSET | V200FP | 1 |

VALVES

2"-4" 6 BOLTED VALVES

FEATURES

- FKM seals.
- Precision molded polypropylene is reinforced with fiberglass for additional strength.
- Self-aligning ball moves freely against the PTFE seats for smooth operation. The valve opens and closes with very little pressure on the handle.
- Ball is diamond turned, after molding, to make it spherically perfect, which provides precise contact between ball and seats.
- PTFE self-lubricating stem bushings and seats cannot stick or bind.
- Stainless steel bolts.

REPAIR KIT INCLUDES:

- Ball
- Body gasket
- Thrust washer
- Ball seats
- Upper stem bushing
- Stem o-ring



6 BOLTED VALVES

| PART NO | DESCRIPTION | MAX PSI | PIPE SIZE | OPENING THRU BALL | LOT QTY | REPLACEMENT HANDLE | REPAIR KIT |
|-----------|---------------------------------|---------|-----------|-------------------|---------|--------------------|------------|
| V200FP | 2" FULL PORT VALVE | 225 | 2" | 2" | 8/BOX | V25153 | V25200 |
| VFMT200FP | 2" FULL PORT VALVE W/ F ADAPTER | 225 | 2" | 2" | 6/BOX | V25153 | V25200 |
| V300 | 3" STANDARD PORT VALVE | 225 | 3" | 2½" | 8/BOX | V25153 | V30200 |
| V300FP | 3" FULL PORT VALVE | 200 | 3" | 3" | 6/BOX | V25153 | V35200 |
| V400 | 4" STANDARD PORT VALVE | 100 | 4" | 3½" | 4/BOX | V25153 | V40200 |

VALVE ACCESSORIES

FEATURES

- Stainless steel hardware
- Locks in open and closed positions
- Locking handle replaces standard handle (sold separately)
- Padlock not included



VALVE ACCESSORIES

| PART NO | DESCRIPTION | FITS VALVES | QTY |
|---------|---------------------------|---------------------------------------|-----|
| VL25153 | LOCKING HANDLE | V200FP, V300, V300FP, V400, VFMT200FP | 1 |
| V25270 | STRAIGHT MOUNTING BRACKET | V200FP, V300, V300FP, V400, VFMT200FP | 1 |
| V25271 | 90° MOUNTING BRACKET | V200FP, V300, V300FP, V400, VFMT200FP | 1 |

2" FULL PORT 4 BOLTED BALL VALVES



VFMT204FP

V204FP

4 BOLTED FULL PORT VALVES

| PART NO | DESCRIPTION | MAX PSI | PIPE SIZE | OPENING THRU BALL | LOT QTY | REPLACEMENT HANDLE | REPAIR KIT |
|-----------|--------------------------------------------|---------|-----------|-------------------|---------|--------------------|------------|
| VFMT204FP | 2" FULL PORT VALVE MALE NPT X MALE ADAPTER | 150 | 2" | 2" | 6/BOX | V25153 | V25200 |
| V204FP | 2" FULL PORT VALVE | 150 | 2" | 2" | 8/BOX | V25153 | V25200 |

FEATURES

- FKM seals
- Stainless steel bolts
- PTFE self-lubricating stem bushings and seats cannot stick or bind
- Precision molded in fiberglass reinforced polypropylene
- Self-aligning ball moves freely against the PTFE seats for smoother operation
- Valve opens and closes with very little pressure on the handle
- Ball is diamond turned after molding to make it spherically perfect, which provides precise contact between ball and seats

REPAIR KIT INCLUDES:

- Ball
- Body gasket
- Thrust washer
- Ball seats
- Upper stem bushing
- Stem o-ring

2" FULL PORT ANSI FLANGE BOLTED BALL VALVES



VSF200FFAF

FULL PORT ANSI FLANGE BOLTED VALVES

| PART NO | DESCRIPTION | MAX PSI | PIPE SIZE | OPENING THRU BALL | LOT QTY | REPLACEMENT HANDLE | REPAIR KIT |
|------------|--------------------------------------------------|---------|-----------|-------------------|---------|--------------------|------------|
| VSF200FFAF | 2" FULL PORT VALVE MALE ADAPTER X 2" ANSI FLANGE | 200 | 2" | 2" | 6/BOX | V25153SH | VS25200 |

FEATURES

- 100% PTFE seats
- FKM seals
- Glass-filled polypropylene
- Unique compact design
- Lightweight
- Gaskets featured on page 73

REPAIR KIT INCLUDES:

- Ball
- Body gasket
- Thrust washer
- Ball seats
- Upper stem bushing
- Stem o-ring

VALVES

2" STANDARD PORT STUBBY BALL VALVES

FEATURES

- Stainless steel bolts
- Glass reinforced polypropylene
- Multiple design options
- Unique patented compact design
- Lightweight
- All PTFE seals



VSF200



VSMT200



VSFMT200



VSFHB200

2" STANDARD PORT STUBBY VALVES

| PART NO | DESCRIPTION | MAX PSI | PIPE SIZE | OPENING THRU BALL | LOT QTY | REPLACEMENT HANDLE |
|----------|---------------------------------|---------|-----------|-------------------|---------|--------------------|
| VSF200 | 2" MALE ADAPTER X 2" FEMALE NPT | 100 | 2" | 1½" | 6 | VS20152SH |
| VSMT200 | 2" MALE NPT X 2" FEMALE NPT | 100 | 2" | 1½" | 6 | VS20152SH |
| VSFMT200 | 2" MALE ADAPTER X 2" MALE NPT | 225 | 2" | 1½" | 12 | VS20152SH |
| VSFHB200 | 2" MALE ADAPTER X 2" HOSE BARB | 100 | 2" | 1½" | 6 | VS20152SH |

2" FULL PORT STUBBY BALL VALVES



VSMT204FP



VSF204FP



VS204FP



VSFMT204FP



VSFMT204HSFP

FEATURES

- Stainless steel bolts
- 100% PTFE ball seats
- Glass reinforced polypropylene
- Unique patented compact design
- Lightweight
- FKM body seals

REPAIR KIT INCLUDES:

- Ball
- Body gasket
- Thrust washer
- Ball seats
- Upper stem bushing
- Stem o-ring

2" FULL PORT STUBBY VALVES

| PART NO | DESCRIPTION | MAX PSI | PIPE SIZE | OPENING THRU BALL | LOT QTY | REPLACEMENT HANDLE | REPAIR KIT |
|--------------|------------------------------------------------------------|---------|-----------|-------------------|---------|--------------------|------------|
| VSMT204FP | 2" MALE NPT X 2" FEMALE NPT | 200 | 2" | 2" | 6 | VS25153 | VS25200 |
| VSF204FP | 2" MALE ADAPTER X 2" FEMALE NPT | 100 | 2" | 2" | 6 | VS25153 | VS25200 |
| VS204FP | 2" FEMALE NPT X 2" FEMALE NPT | 225 | 2" | 2" | 6 | VS25153 | VS25200 |
| VSFMT204FP | 2" MALE ADAPTER X 2" MALE NPT | 150 | 2" | 2" | 6 | VS25153 | VS25200 |
| VSFMT204HSFP | 2" FP MALE ADAPTER X 2" MALE NPT W/ SS BALL, STEM & HANDLE | 150 | 2" | 2" | 6 | N/A | VSSH25200 |

VALVES

3" STANDARD PORT STUBBY BALL VALVES

FEATURES

- Stainless steel bolts
- Glass reinforced polypropylene
- FKM body seals
- Unique patented compact design
- Lightweight
- All PTFE seats
- Note: If repair kits not listed, components available.



3" STANDARD PORT STUBBY VALVES

| PART NO | DESCRIPTION | MAX PSI | PIPE SIZE | OPENING THRU BALL | LOT QTY | REPLACEMENT HANDLE STRAIGHT | REPLACEMENT HANDLE SHORT |
|----------|---------------------------------|---------|-----------|-------------------|---------|-----------------------------|--------------------------|
| VSF300 | 3" FEMALE NPT X 3" MALE ADAPTER | 100 | 3" | 2½" | 6/BOX | V25153 | V25153SH |
| VSMT300 | 3" FEMALE NPT X 3" MALE NPT | 100 | 3" | 2½" | 6/BOX | V25153 | V25153SH |
| VSFMT300 | 3" MALE NPT X 3" MALE ADAPTER | 225 | 3" | 2½" | 6/BOX | V25153 | V25153SH |

3" FULL PORT STUBBY BALL VALVES

FEATURES

- Stainless steel bolts
- Glass reinforced polypropylene
- FKM body seals
- Unique patented compact design
- Lightweight
- All PTFE ball seats
- Note: If repair kits not listed, components available.



3" FULL PORT STUBBY VALVES

| PART NO | DESCRIPTION | MAX PSI | PIPE SIZE | OPENING THRU BALL | LOT QTY | REPLACEMENT HANDLE |
|--------------|------------------------------------------------------------------|---------|-----------|-------------------|---------|--------------------|
| VSFMT300FP | 3" FULL PORT MALE ADAPTER X 3" MALE NPT | 100 | 3" | 3" | 6/BOX | V25153 |
| VSFMT300HSFP | 3" FULL PORT MALE ADAPTER X 3" MALE NPT W/SS BALL, STEM & HANDLE | 100 | 3" | 3" | 6/BOX | VS30153SS |

3 WAY BOTTOM LOAD BALL VALVES



FEATURES

- Stainless steel bolts
- Precision molded in fiberglass reinforced polypropylene for additional strength
- Self-aligning ball moves freely against the PTFE seats for smooth operation
- Ball is diamond turned after molding to make it spherically perfect, which provides precise contact between ball and seats
- PTFE self-lubricating stem bushings and seats
- FKM body seals
- Directional flow, right or left. Valve can be turned off to stop flow

3 WAY BOTTOM LOAD VALVES

| PART NO | DESCRIPTION | MAX PSI | PIPE SIZE | OPENING THRU BALL | LOT QTY | HANDLE TYPE | REPLACEMENT HANDLE |
|---------|--------------------------------|---------|-----------|-------------------|---------|-------------|--------------------|
| V075BL | ¾" 3-WAY BOTTOM LOAD VALVE | 200 | ¾" | 1" | 6 | T | N/A |
| V100BL | 1" FP 3-WAY BOTTOM LOAD VALVE | 225 | 1" | 1" | 6 | T | N/A |
| V125BL | 1¼" 3-WAY BOTTOM LOAD VALVE | 300 | 1¼" | 1½" | 6 | T | V20353TB |
| V150BL | 1½" FP 3-WAY BOTTOM LOAD VALVE | 225 | 1½" | 1½" | 6 | T | V20353TB |
| V200BL | 2" FP 3-WAY BOTTOM LOAD VALVE | 200 | 2" | 2" | 8/BOX | STRAIGHT | V25353B |

3 WAY SIDE LOAD BALL VALVES



FEATURES

- Stainless steel bolts
- Precision molded in fiberglass reinforced polypropylene for additional strength
- Self-aligning ball moves freely against the PTFE seats for smooth operation
- Ball is diamond turned after molding to make it spherically perfect, which provides precise contact between ball and seats
- PTFE self-lubricating stem bushings and seats
- FKM body seals
- Directional flow, right or left. Valve cannot be turned off to stop flow

3 WAY SIDE LOAD VALVES

| PART NO | DESCRIPTION | MAX PSI | PIPE SIZE | OPENING THRU BALL | LOT QTY | HANDLE TYPE | REPLACEMENT HANDLE | REPAIR KIT |
|---------|------------------------------|---------|-----------|-------------------|---------|-------------|--------------------|------------|
| V075SL | ¾" 3-WAY SIDE LOAD VALVE | 200 | ¾" | 1" | 6 | STRAIGHT | V10153A | V10300SL |
| V100SL | 1" FP 3-WAY SIDE LOAD VALVE | 200 | 1" | 1" | 6 | STRAIGHT | V10153A | V10300SL |
| V125SL | 1¼" 3-WAY SIDE LOAD VALVE | 300 | 1¼" | 1½" | 6 | T | V20353TS | V15300SL |
| V150SL | 1½" FP 3-WAY SIDE LOAD VALVE | 225 | 1½" | 1½" | 6 | T | V20353TS | V15300SL |
| V200SL | 2" FP 3-WAY SIDE LOAD VALVE | 225 | 2" | 2" | 8/BOX | STRAIGHT | V25153SH | V25200BL |

VALVES

1½" - 2" NOZZLE VALVES

FEATURES

- Lightweight hose end valve for convenient transfer of liquids into drums, tanks etc
- Angled end flange with 8" long polypropylene fill spout
- All stainless steel bolts



VA150



VA200FP

1½"-2" NOZZLE VALVES

| PART NO | DESCRIPTION | MAX PSI | PIPE SIZE | OPENING THRU BALL | FEMALE NPT | LOT QTY | REPLACEMENT HANDLE | REPAIR KIT |
|---------|-----------------------------------|---------|-----------|-------------------|------------|---------|--------------------|------------|
| VA150 | 1½" NOZZLE VALVE WITH 90° ELBOW | 225 | 1½" x 8" | 1½" | 1½" | 6 | V20152 | N/A |
| VA200 | 2" NOZZLE VALVE WITH 90° ELBOW | 200 | 2" x 8" | 1½" | 2" | 6 | V20152 | N/A |
| VA200FP | 2" FP NOZZLE VALVE WITH 90° ELBOW | 225 | 2" x 8" | 2" | 2" | 6/BOX | V25152 | V25200 |

1" DISPENSING NOZZLES

FEATURES

- Glass reinforced polypropylene
- 304 stainless steel handle, spring and pin
- FKM rubber parts only
- Resists corrosion



VN100



V10161

1" DISPENSING NOZZLE

| PART NO | DESCRIPTION | MAX PSI | PIPE SIZE | OPENING THRU BALL | FEMALE NPT | QTY | REPAIR KIT |
|---------|-------------------------------------------------------------|---------|-----------|-------------------|------------|-----|------------|
| VN100 | 1" DISPENSING NOZZLE | 150 | 1" | N/A | 1" | 1 | VN10200 |
| V10161 | 1" NOZZLE PIPE FOR USE WITH V100, V100FP, UV100FP, SUV100FP | N/A | 1" | N/A | 1" | 1 | N/A |

1/2" - 2" SINGLE UNION SPINWELD VALVES



SUV125FP



MSUV100FP

1/2"-2" SINGLE UNION SPINWELD VALVES

| PART NO | DESCRIPTION | MAX PSI | PIPE SIZE | OPENING THRU BALL | LOT QTY |
|-----------|---------------------------------------------------|---------|-----------|-------------------|---------|
| SUV050FP | 1/2" FULL PORT SINGLE UNION SPINWELD VALVE | 300 | 1/2" | 1/2" | 10 |
| SUV075FP | 3/4" FULL PORT SINGLE UNION SPINWELD VALVE | 300 | 3/4" | 3/4" | 10 |
| SUV100FP | 1" FULL PORT SINGLE UNION SPINWELD VALVE | 300 | 1" | 1" | 10 |
| SUV125FP | 1 1/4" FULL PORT SINGLE UNION SPINWELD VALVE | 300 | 1 1/4" | 1 1/4" | 10 |
| SUV150FP | 1 1/2" FULL PORT SINGLE UNION SPINWELD VALVE | 300 | 1 1/2" | 1 1/2" | 10 |
| SUV200FP | 2" FULL PORT SINGLE UNION SPINWELD VALVE | 200 | 2" | 2" | 10 |
| MSUV100FP | 1" MANIFOLD FULL PORT SINGLE UNION SPINWELD VALVE | 300 | | 1" | 10 |

FEATURES

- Precision molded in glass reinforced polypropylene for strength and chemical resistance
- PTFE seats for smooth and proper sealing characteristics
- EPDM O-rings to handle most fertilizers and many chemicals
- Double O-rings in stem area for extra sealing protection
- Interlocking body and end plate to allow easy thread connection when installing valves

1/2" - 2" SINGLE UNION VALVES



1/2"-2" SINGLE UNION VALVES

| PART NO | DESCRIPTION | MAX PSI | PIPE SIZE | OPENING THRU BALL | LOT QTY |
|---------|-------------------------------------|---------|-----------|-------------------|---------|
| UV050FP | 1/2" FULL PORT SINGLE UNION VALVE | 300 | 1/2" | 3/4" | 10 |
| UV075FP | 3/4" FULL PORT SINGLE UNION VALVE | 300 | 3/4" | 3/4" | 10 |
| UV100FP | 1" FULL PORT SINGLE UNION VALVE | 300 | 1" | 1" | 10 |
| UV125FP | 1 1/4" FULL PORT SINGLE UNION VALVE | 225 | 1 1/4" | 1 1/4" | 10 |
| UV150FP | 1 1/2" FULL PORT SINGLE UNION VALVE | 200 | 1 1/2" | 1 1/2" | 10 |
| UV200FP | 2" FULL PORT SINGLE UNION VALVE | 300 | 2" | 2" | 10 |

FEATURES

- Precision molded in glass reinforced polypropylene for strength and chemical resistance
- PTFE seats for smooth and proper sealing characteristics
- Double O-rings in stem area for extra sealing protection
- Interlocking body and end plate to allow easy thread connection when installing valves

VALVES

1/2" - 3" CHECK VALVES

FEATURES

- One piece construction
- Glass reinforced polypropylene
- 316 stainless steel springs
- EPDM gasket



1/2"-3" CHECK VALVES

| PART NO | DESCRIPTION | OPENING PRESSURE PSI | MAX PSI | PIPE SIZE | LOT QTY |
|---------|------------------------------------------|----------------------|---------|-----------|---------|
| CV050 | 1/2" CHECK VALVE | 6-7 | 300 | 1/2" | 10 |
| CV100MT | 1" MALE X FEMALE NPT CHECK VALVE | 1 | 300 | 1" | 10 |
| CV100 | 1" CHECK VALVE | 1 | 300 | 1" | 10 |
| CV221 | 2" FULL PORT CHECK VALVE | >0.5 | 300 | 2" | 10 |
| CV300 | 3" FULL PORT CHECK VALVE W/ 5 LB SPRING | 1.5 | 300 | 3" | 1 |
| CV301 | 3" FULL PORT CHECK VALVE W/1/2 LB SPRING | >0.5 | N/A | 3" | 1 |

1/4" - 3" STAINLESS STEEL FULL PORT VALVES

FEATURES

- 316 stainless steel
- Blow out proof stem
- All valves 100% tested by air, under water at 100 PSI in open and closed positions
- Latch locking handle performs in both open and closed positions
- Mounting pad
- PTFE seals and seats



1/4"-3" STAINLESS STEEL FULL PORT VALVES

| PART NO | DESCRIPTION | MAX PSI | PIPE SIZE | OPENING THRU BALL | QTY | REPAIR KIT |
|---------|---------------------------|---------|-----------|-------------------|-----|------------|
| VSS025 | 1/4" SS FULL PORT VALVE | 1000 | 1/4" | 1/4" | 1 | VSS02500 |
| VSS038 | 3/8" SS FULL PORT VALVE | 1000 | 3/8" | 3/8" | 1 | VSS02500 |
| VSS050 | 1/2" SS FULL PORT VALVE | 1000 | 1/2" | 1/2" | 1 | VSS05200 |
| VSS075 | 3/4" SS FULL PORT VALVE | 1000 | 3/4" | 3/4" | 1 | VSS07200 |
| VSS100 | 1" SS FULL PORT VALVE | 1000 | 1" | 1" | 1 | VSS10200 |
| VSS150 | 1 1/2" SS FULL PORT VALVE | 1000 | 1 1/2" | 1 1/2" | 1 | VSS15200 |
| VSS200 | 2" SS FULL PORT VALVE | 1000 | 2" | 2" | 1 | VSS25200 |
| VSS300 | 3" SS FULL PORT VALVE | 1000 | 3" | 3" | 1 | VSS35200 |

3/4" - 1" PINCH VALVES

FEATURES

- Open position allows full unobstructed flow of 50-60 GPM
- Air pressure collapses the internal rubber sleeve to provide positive shut off
- Standard EPDM rubber bladder seal and FKM available
- Female NPT threads
- ATTENTION: Normally an open valve and has a maximum liquid pressure of 70 PSI. Pressure differential = pressure it takes to close valve



3/4"-1" PINCH VALVES

| PART NO | DESCRIPTION | GASKET | MAX PSI | PIPE SIZE | PRESSURE DIFFERENTIAL | LOT QTY |
|------------|-------------------------|--------|---------|-----------|-----------------------|---------|
| PV075 | 3/4" X 3/4" PINCH VALVE | EPDM | 300 | 3/4" | 15 TO 20 PSI | 10 |
| PV100 | 1" X 1" PINCH VALVE | EPDM | 300 | 1" | 15 TO 20 PSI | 1 |
| PV100-075 | 1" X 3/4" PINCH VALVE | EPDM | 300 | 1" X 3/4" | 15 TO 20 PSI | 10 |
| PV100-075V | 1" X 3/4" PINCH VALVE | FKM | 300 | 1" X 3/4" | 15 TO 20 PSI | 1 |
| PV10265 | BLADDER | EPDM | N/A | | | 1 |
| PV10265V | BLADDER | FKM | N/A | | | 1 |

ELECTRIC VALVES



SMALLER

- EVX 2" full port and 3" models are over 35% smaller than the average competitive valve. The 1½", 2" full port and 3" models are also substantially lighter than the average competitive valve.

SMARTER

- EVX offers many protocol options for your needs:
 - On/Off
 - Regulating
 - Regulating with linear feedback
 - CAN/ISO BUS
 - Proportional control
- Diagnostic options for CANBUS
 - Voltage
 - Temperature
 - Cycle Count

TOUGHER

- Setting the new standard for electric valve toughness, EVX passes 52 separate durability torture tests including mechanical shock, vibration, extreme temperature, rain/shine, operating pressure, and rigorous longevity tests.



SMALLER / SMARTER / TOUGHER

ELECTRIC VALVES

3/4" - 1 1/2" EVX SERIES

FEATURES

- 12-volt DC operated
- 24-volt available
- Open/closed indicator
- 3/4"-1 1/4" ON/OFF has 3/4 sec response
- 1 1/2" ON/OFF has 1 1/2 sec response
- Regulating has 4 sec response
- Open/Close verification wires available
- IP68 waterproof
- -0 to 150F (-18 to 65C) operating
- -67 to 221F (-55 to 105C) storage
- On/Off Actuator rated to 500,000 cycles
- Regulating Actuator rated to 250,000 cycles
- Valve rated to 50,000 cycles leak-free
- Bolted valves have the same exact dimensions as our legacy EV valves.
- Additional protocols available including CAN/ISO BUS & Proportional Control

MATERIALS

- 316 stainless steel ball & stem
- Poly ball available
- Stainless steel hardware
- Fiberglass reinforced polypropylene
- PTFE seats
- FKM stem seals

ON/OFF

- Red = +12V DC
- Black = Ground
- White = +12VDC (Open)
0VDC (Close)

4 WIRE REGULATING

- Red = +12V DC (Open)
- White = Ground (Open)
- Black = +12V DC (Close)
- Green = Ground (Close)



3/4" - 1 1/2" EVX ON/OFF BOLTED ELECTRIC VALVES

| PART NO | DESCRIPTION | MAX PSI | PIPE SIZE | OPENING THRU BALL | QTY | OPTIONAL HANDLE KIT | REPAIR KIT |
|---------|-------------------------------------|---------|-----------|-------------------|-----|---------------------|------------|
| EVX071 | 3/4" FULL PORT ELECTRIC VALVE | 300 | 3/4" | 1" | 1 | VP20153SH | EVX10200 |
| EVX101 | 1" FULL PORT ELECTRIC VALVE | 300 | 1" | 1" | 1 | VP20153SH | EVX10200 |
| EVX121 | 1 1/4" STANDARD PORT ELECTRIC VALVE | 300 | 1 1/4" | 1" | 1 | VP20153SH | EVX10200 |
| EVX151 | 1 1/2" FULL PORT ELECTRIC VALVE | 250 | 1 1/2" | 1 1/2" | 1 | VP20153SH | EVX20200 |

3/4" - 1 1/2" EVX REGULATING BOLTED ELECTRIC VALVES

| PART NO | DESCRIPTION | MAX PSI | PIPE SIZE | OPENING THRU BALL | QTY | OPTIONAL HANDLE KIT | REPAIR KIT |
|---------|---------------------------------|---------|-----------|-------------------|-----|---------------------|------------|
| EVXR071 | 3/4" FULL PORT ELECTRIC VALVE | 300 | 3/4" | 1" | 1 | VP20153SH | EVX10200 |
| EVXR101 | 1" FULL PORT ELECTRIC VALVE | 300 | 1" | 1" | 1 | VP20153SH | EVX10200 |
| EVXR151 | 1 1/2" FULL PORT ELECTRIC VALVE | 250 | 1 1/2" | 1 1/2" | 1 | VP20153SH | EVX20200 |

ELECTRIC VALVES



2" EVX SERIES

FEATURES

- 12-volt DC operated
- 24-volt available
- Open/closed indicator
- ON/OFF has 1½ second response
- Regulating has 4 second response
- Open/Close verification wires available
- IP68 waterproof
- -0 to 150F (-18 to 65C) operating
- -67 to 221F (-55 to 105C) storage
- On/Off Actuator rated to 500,000 cycles
- Regulating Actuator rated to 250,000 cycles
- Valve rated to 50,000 cycles leak-free
- Bolted valves have the same exact dimensions as our legacy EV valves.
- Additional protocols available including CAN/ISO BUS & Proportional Control

MATERIALS

- 316 stainless steel ball & stem
- Stainless steel hardware
- Fiberglass reinforced polypropylene
- PTFE seats
- FKM stem seals

ON/OFF

- Red = +12V DC
- Black = Ground
- White = +12VDC (Open)
0VDC (Close)

4 WIRE REGULATING

- Red = +12V DC (Open)
- White = Ground (Open)
- Black = +12V DC (Close)
- Green = Ground (Close)

2" EVX ON/OFF BOLTED ELECTRIC VALVES

| PART NO | DESCRIPTION | MAX PSI | PIPE SIZE | OPENING THRU BALL | QTY | OPTIONAL HANDLE KIT | REPAIR KIT |
|---------|---------------------------------|---------|-----------|-------------------|-----|---------------------|------------|
| EVX201 | 2" STANDARD PORT ELECTRIC VALVE | 250 | 2" | 1½" | 1 | VP20153 | EVX20200 |
| EVX221 | 2" FULL PORT ELECTRIC VALVE | 125 | 2" | 2" | 1 | VP20153 | EVX25200 |

2" EVX REGULATING BOLTED ELECTRIC VALVES

| PART NO | DESCRIPTION | MAX PSI | PIPE SIZE | OPENING THRU BALL | QTY | OPTIONAL HANDLE KIT | REPAIR KIT |
|---------|---------------------------------|---------|-----------|-------------------|-----|---------------------|------------|
| EVXR201 | 2" STANDARD PORT ELECTRIC VALVE | 250 | 2" | 1½" | 1 | VP20153 | EVX20200 |
| EVXR221 | 2" FULL PORT ELECTRIC VALVE | 125 | 2" | 2" | 1 | VP20153 | EVX25200 |

ELECTRIC VALVES

3" EVX SERIES

FEATURES

- 12-volt DC operated
- 24-volt available
- Open/closed indicator
- ON/OFF has 4 second response
- Regulating has 4 second response
- Open / Close verification available
- IP68 waterproof
- -0 to 150F (-18 to 65C) operating
- -67 to 221F (-55 to 105C) storage
- Actuator rated to 250,000 cycles
- Valve rated to 50,000 cycles leak-free
- Additional protocols available including CAN/ISO BUS & Proportional Control

MATERIALS

- 316 stainless steel ball & stem
- Stainless steel hardware
- Fiberglass reinforced polypropylene
- Zinc alloy lower actuator housing
- PTFE seats
- FKM stem seals

ON/OFF

- Red = +12V DC
- Black = Ground
- White = +12VDC (Open)
0VDC (Close)

4 WIRE REGULATING

- Red = +12V DC (Open)
- White = Ground (Open)
- Black = +12V DC (Close)
- Green = Ground (Close)



3" EVX ON/OFF ELECTRIC VALVES

| PART NO | DESCRIPTION | MAX PSI | PIPE SIZE | OPENING THRU BALL | QTY | OPTIONAL HANDLE KIT |
|---------|-----------------------------|---------|-----------|-------------------|-----|---------------------|
| EVX300 | 3" FULL PORT ELECTRIC VALVE | 125 | 3" | 3" | 1 | VP30153 |

3" EVX REGULATING ELECTRIC VALVES

| PART NO | DESCRIPTION | MAX PSI | PIPE SIZE | OPENING THRU BALL | QTY | OPTIONAL HANDLE KIT |
|---------|-----------------------------|---------|-----------|-------------------|-----|---------------------|
| EVXR300 | 3" FULL PORT ELECTRIC VALVE | 125 | 3" | 3" | 1 | VP30153 |

ELECTRIC VALVES

3/4" - 2" EVX SERIES BOTTOM & SIDE LOAD VALVES



FEATURES

- 12-volt DC operated
- 24-volt available
- Open/closed indicator
- 1" & 1 1/4" ON/OFF has 3/4 second response
- 1 1/2" & 2" ON/OFF has 1 1/2" second response
- Open / Close verification available
- IP68 waterproof
- -0 to 150F (-18 to 65C) operating
- -67 to 221F (-55 to 105C) storage
- On/Off Actuator rated to 500,000 cycles
- Valve rated to 50,000 cycles leak-free
- These bolted valves have the exact same dimensions as our legacy EV valves.
- Additional protocols available including CAN/ISO BUS & Proportional Control

MATERIALS

- 316 stainless steel ball & stem
- Stainless steel hardware
- Fiberglass reinforced polypropylene
- PTFE seats
- FKM stem seals

ON/OFF

- Red = +12V DC
- Black = Ground
- White = +12VDC (Open)
0VDC (Close)

4 WIRE REGULATING

- Red = +12V DC (Open)
- White = Ground (Open)
- Black = +12V DC (Close)
- Green = Ground (Close)

3/4"-2" EVX BOLTED BOTTOM LOAD ELECTRIC VALVES

| PART NO | DESCRIPTION | MAX PSI | PIPE SIZE | OPENING THRU BALL | QTY | OPTIONAL HANDLE KIT | REPAIR KIT |
|----------|---------------------------------------------|---------|-----------|-------------------|-----|---------------------|------------|
| EVX075BL | 3/4" FULL PORT BOTTOM LOAD ELECTRIC VALVE | 300 | 3/4" | 1" | 1 | VP20153SH | EVX10200 |
| EVX100BL | 1" FULL PORT BOTTOM LOAD ELECTRIC VALVE | 300 | 1" | 1" | 1 | VP20153SH | EVX10200 |
| EVX125BL | 1 1/4" FULL PORT SIDE LOAD ELECTRIC VALVE | 250 | 1 1/4" | 1" | 1 | VP20153SH | EVX10200 |
| EVX150BL | 1 1/2" FULL PORT SIDE LOAD ELECTRIC VALVE | 250 | 1 1/2" | 1 1/2" | 1 | VP20153SH | EVX20200 |
| EVX200BL | 2" STANDARD PORT BOTTOM LOAD ELECTRIC VALVE | 250 | 2" | 1 1/2" | 1 | VP20153 | EVX20200 |
| EVX220BL | 2" FULL PORT BOTTOM LOAD ELECTRIC VALVE | 125 | 2" | 2" | 1 | VP20153 | EVX25200 |

3/4"-2" EVX BOLTED SIDE LOAD ELECTRIC VALVES

| PART NO | DESCRIPTION | MAX PSI | PIPE SIZE | OPENING THRU BALL | QTY | OPTIONAL HANDLE KIT | REPAIR KIT |
|----------|-------------------------------------------|---------|-----------|-------------------|-----|---------------------|------------|
| EVX075SL | 3/4" FULL PORT SIDE LOAD ELECTRIC VALVE | 300 | 3/4" | 1" | 1 | VP20153SH | EVX10200 |
| EVX100SL | 1" FULL PORT SIDE LOAD ELECTRIC VALVE | 300 | 1" | 1" | 1 | VP20153SH | EVX10200 |
| EVX125SL | 1 1/4" FULL PORT SIDE LOAD ELECTRIC VALVE | 250 | 1 1/4" | 1" | 1 | VP20153SH | EVX10200 |
| EVX150SL | 1 1/2" FULL PORT SIDE LOAD ELECTRIC VALVE | 250 | 1 1/2" | 1 1/2" | 1 | VP20153SH | EVX20200 |
| EVX200SL | 2" STANDARD PORT SIDE LOAD ELECTRIC VALVE | 250 | 2" | 1 1/2" | 1 | VP20153 | EVX20200 |
| EVX220SL | 2" FULL PORT SIDE LOAD ELECTRIC VALVE | 125 | 2" | 2" | 1 | VP20153 | EVX25200 |

ELECTRIC VALVES

3/8" - 1/2" LEV SERIES

FEATURES

- 12 Volt DC
- Stationary current draw: less than 0.04 amps
- Rotating current draw: less than 0.40 amps
- Stall current: 0.75 amps
- Response time: 1/3 second open to close
- TFM seats
- EPDM seals
- Fiberglass reinforced polypropylene
- Integrated mounting slot
- Standard 3 wire configuration



LEV038



LEV050

3/8"-1/2" ON/OFF ELECTRIC VALVES

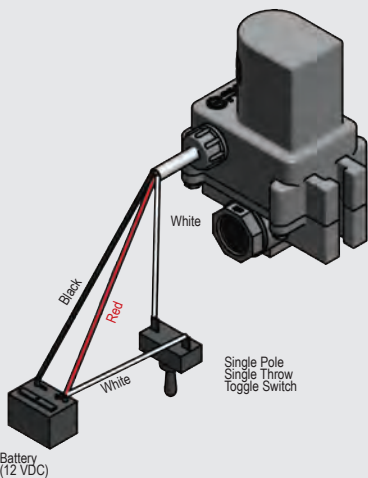
| PART NO | DESCRIPTION | MAX PSI | PIPE SIZE | OPENING THRU BALL | QTY |
|---------|-------------------------------|---------|-----------|-------------------|-----|
| LEV038 | 3/8" FULL PORT ELECTRIC VALVE | 300 | 3/8" | 3/8" | 1 |
| LEV050 | 1/2" ELECTRIC VALVE | 300 | 1/2" | 15/32" | 1 |



LEV038PL

3/8" ELECTRIC VALVES W/ PUSH LOCK

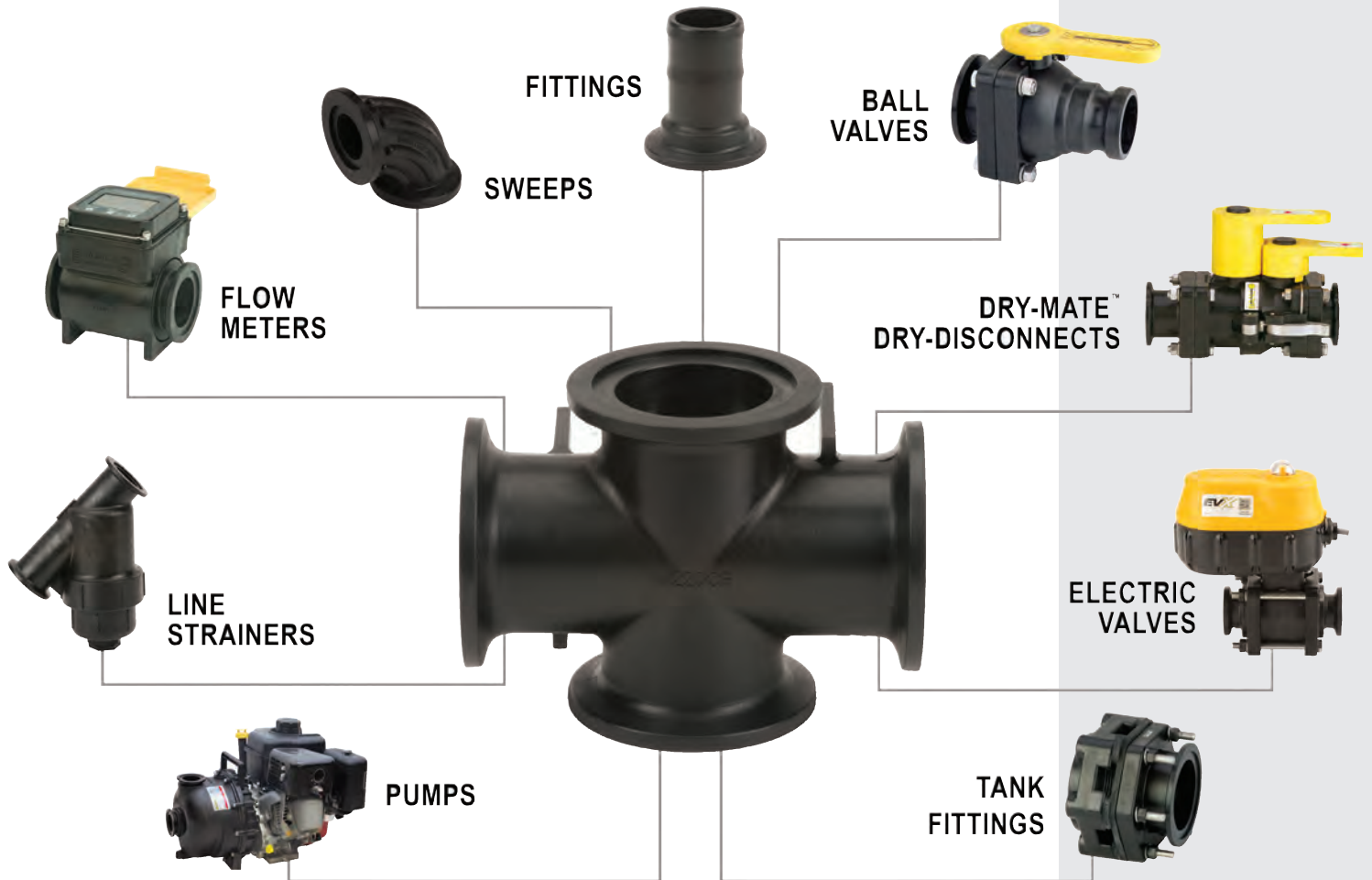
| PART NO | DESCRIPTION | MAX PSI | PIPE SIZE | OPENING THRU BALL | QTY |
|----------|--------------------------------------------|---------|-----------|-------------------|-----|
| LEV038PL | 3/8" FULL PORT ELECTRIC VALVE W/ PUSH LOCK | 150 | 3/8" | 3/8" | 1 |



MANIFOLD FLANGE CONNECTIONS

NO THREADS. NO SWEAT.

FLANGE CONNECTIONS FOR EVERY PRODUCT



SKIP THE TAPE AND SEALANT

Flange connections utilize clamps instead of threads, facilitating quick and easy assembly and disassembly while ensuring a leak-proof system. Threaded pipe needs tape or sealant, and the slightest imperfection in the pipe or seal can cause a leak. With properly installed flange connections, you won't worry about connection leaks or wait for sealant to cure.

SAVE TIME. SAVE MONEY.

Time spent unthreading systems and repairing leaks from faulty connections is unproductive and ultimately hits your pocketbook. Banjo's manifold flange systems get you back in the field and out of the shop in no time.

GET RIGHT TO THE SOURCE

With Banjo manifold flange connections, the days of spending hours unhooking entire systems of valves and fittings are over. You can directly isolate and replace the problematic part or replumb sections without disassembling the whole system.

MANIFOLD FLANGE CONNECTIONS

1" MEVX SERIES

FEATURES

- 12-volt DC operated
- 24-volt available
- Open/closed indicator
- ON/OFF has 3/4 second response
- Regulating has 4 second response
- Open / Close verification available
- IP68 waterproof
- -0 to 150F (-18 to 65C) operating
- -67 to 221F (-55 to 105C) storage
- On/Off Actuator rated to 500,000 cycles
- Regulating Actuator rated to 250,000 cycles
- Valve rated to 50,000 cycles leak-free
- Bolted valves have the same exact dimensions as our legacy EV valves.
- Additional protocols available including CAN/ISO BUS & Proportional Control

MATERIALS

- 316 stainless steel ball & stem
- Poly ball available on bolted valves
- Stainless steel hardware
- Fiberglass reinforced polypropylene
- PTFE seats
- FKM stem seals

ON/OFF

- Red = +12V DC
- Black = Ground
- White = +12VDC (Open)
0VDC (Close)

4 WIRE REGULATING

- Red = +12V DC (Open)
- White = Ground (Open)
- Black = +12V DC (Close)
- Green = Ground (Close)



1" MEVX ON/OFF WELDED ELECTRIC VALVES

| PART NO | DESCRIPTION | MAX PSI | PIPE SIZE | OPENING THRU BALL | QTY | OPTIONAL HANDLE KIT |
|---------|-----------------------------|---------|-----------|-------------------|-----|---------------------|
| MEVX100 | 1" FULL PORT ELECTRIC VALVE | 300 | 1" | 1" | 1 | VP20153SH |

1" MEVX REGULATING WELDED ELECTRIC VALVES

| PART NO | DESCRIPTION | MAX PSI | PIPE SIZE | OPENING THRU BALL | QTY | OPTIONAL HANDLE KIT |
|----------|-----------------------------|---------|-----------|-------------------|-----|---------------------|
| MEVXR100 | 1" FULL PORT ELECTRIC VALVE | 300 | 1" | 1" | 1 | VP20153SH |

1" MEVX ON/OFF BOLTED ELECTRIC VALVES

| PART NO | DESCRIPTION | MAX PSI | PIPE SIZE | OPENING THRU BALL | QTY | OPTIONAL HANDLE KIT | REPAIR KIT |
|---------|-----------------------------|---------|-----------|-------------------|-----|---------------------|------------|
| MEVX101 | 1" FULL PORT ELECTRIC VALVE | 300 | 1" | 1" | 1 | VP20153SH | EVX10200 |

1" MEVX REGULATING BOLTED ELECTRIC VALVES

| PART NO | DESCRIPTION | MAX PSI | PIPE SIZE | OPENING THRU BALL | QTY | OPTIONAL HANDLE KIT | REPAIR KIT |
|----------|-----------------------------|---------|-----------|-------------------|-----|---------------------|------------|
| MEVXR101 | 1" FULL PORT ELECTRIC VALVE | 300 | 1" | 1" | 1 | VP20153SH | EVX10200 |

MANIFOLD FLANGE CONNECTIONS



2" MEVX SERIES

FEATURES

- 12-volt DC operated
- 24-volt available
- Open/closed indicator
- ON/OFF has 1½ second response
- Regulating has 4 second response
- Open / Close verification available
- IP68 waterproof
- -0 to 150F (-18 to 65C) operating
- -67 to 221F (-55 to 105C) storage
- On/Off Actuator rated to 500,000 cycles
- Regulating Actuator rated to 250,000 cycles
- Valve rated to 50,000 cycles leak-free
- Bolted valves have the same exact dimensions as our legacy EV valves.
- Additional protocols available including CAN/ISO BUS & Proportional Control

MATERIALS

- 316 stainless steel ball & stem
- Poly ball available on bolted valves
- Stainless steel hardware
- Fiberglass reinforced polypropylene
- PTFE seats
- FKM stem seals

ON/OFF

- Red = +12V DC
- Black = Ground
- White = +12VDC (Open)
0VDC (Close)

4 WIRE REGULATING

- Red = +12V DC (Open)
- White = Ground (Open)
- Black = +12V DC (Close)
- Green = Ground (Close)

2" MEVX ON/OFF WELDED ELECTRIC VALVES

| PART NO | DESCRIPTION | MAX PSI | PIPE SIZE | OPENING THRU BALL | QTY | OPTIONAL HANDLE KIT |
|---------|---------------------------------|---------|-----------|-------------------|-----|---------------------|
| MEVX200 | 2" STANDARD PORT ELECTRIC VALVE | 300 | 2" | 1½" | 1 | VP20153 |
| MEVX220 | 2" FULL PORT ELECTRIC VALVE | 250 | 2" | 2" | 1 | VP20153 |

2" MEVX REGULATING WELDED ELECTRIC VALVES

| PART NO | DESCRIPTION | MAX PSI | PIPE SIZE | OPENING THRU BALL | QTY | OPTIONAL HANDLE KIT |
|----------|---------------------------------|---------|-----------|-------------------|-----|---------------------|
| MEVXR200 | 2" STANDARD PORT ELECTRIC VALVE | 250 | 2" | 1½" | 1 | VP20153 |
| MEVXR220 | 2" FULL PORT ELECTRIC VALVE | 250 | 2" | 2" | 1 | VP20153 |

2" MEVX ON/OFF BOLTED ELECTRIC VALVES

| PART NO | DESCRIPTION | MAX PSI | PIPE SIZE | OPENING THRU BALL | QTY | OPTIONAL HANDLE KIT | REPAIR KIT |
|---------|---------------------------------|---------|-----------|-------------------|-----|---------------------|------------|
| MEVX201 | 2" STANDARD PORT ELECTRIC VALVE | 250 | 2" | 1½" | 1 | VP20153 | EVX20200 |
| MEVX221 | 2" FULL PORT ELECTRIC VALVE | 125 | 2" | 2" | 1 | VP20153 | EVX25200 |

MANIFOLD FLANGE CONNECTIONS

3" MEVX SERIES

FEATURES

- 12-volt DC operated
- 24-volt available
- Open/closed indicator
- ON/OFF 3" has 4 second response
- Regulating 3" has 4 second response
- Open / Close verification available
- IP68 waterproof
- -0 to 150F (-18 to 65C) operating
- -67 to 221F (-55 to 105C) storage
- Actuator rated to 250,000 cycles
- Valve rated to 50,000 cycles leak-free
- Additional protocols available including CAN/ISO BUS & Proportional Control

MATERIALS

- 316 stainless steel ball & stem
- Stainless steel hardware
- Fiberglass reinforced polypropylene
- Zinc alloy lower actuator housing
- PTFE seats
- FKM stem seals

ON/OFF

- Red = +12V DC
- Black = Ground
- White = +12VDC (Open)
0VDC (Close)

4 WIRE REGULATING

- Red = +12V DC (Open)
- White = Ground (Open)
- Black = +12V DC (Close)
- Green = Ground (Close)



3" MEVX ON/OFF ELECTRIC VALVES

| PART NO | DESCRIPTION | MAX PSI | PIPE SIZE | OPENING THRU BALL | QTY |
|---------|-----------------------------|---------|-----------|-------------------|-----|
| MEVX300 | 3" FULL PORT ELECTRIC VALVE | 125 | 3" | 3" | 1 |

3" MEVX REGULATING ELECTRIC VALVES

| PART NO | DESCRIPTION | MAX PSI | PIPE SIZE | OPENING THRU BALL | QTY |
|----------|-----------------------------|---------|-----------|-------------------|-----|
| MEVXR300 | 3" FULL PORT ELECTRIC VALVE | 125 | 3" | 3" | 1 |

MANIFOLD FLANGE CONNECTIONS

1" - 3" MEVX SERIES BOTTOM & SIDE LOAD VALVES



FEATURES

- 12-volt DC operated
- 24-volt available
- Open/closed indicator
- ON/OFF 1" has ¾ second response
- ON/OFF 2" has 1½ second response
- ON/OFF 3" has 4 second response
- Open / Close verification available
- IP68 waterproof
- -0 to 150F (-18 to 65C) operating
- -67 to 221F (-55 to 105C) storage
- 1"-2" On/Off Actuator rated to 500,000 cycles
- 3" On/Off & Regulating Actuator rated to 250,000 cycles
- Valve rated to 50,000 cycles leak-free
- Additional protocols available including CAN/ISO BUS & Proportional Control

1"-3" MEVX BOTTOM LOAD ELECTRIC VALVES

| PART NO | DESCRIPTION | MAX PSI | PIPE SIZE | OPENING THRU BALL | QTY | OPTIONAL HANDLE KIT | REPAIR KIT |
|-----------|------------------------------------------------------|---------|-----------|-------------------|-----|---------------------|------------|
| MEVX100BL | 1" FULL PORT MANIFOLD BOTTOM LOAD ELECTRIC VALVE | 300 | 1" | 1" | 1 | VP20153SH | EVX10200 |
| MEVX200BL | 2" STANDARD PORT MANIFOLD BOTTOM LOAD ELECTRIC VALVE | 250 | 2" | 1½" | 1 | VP20153 | EVX20200 |
| MEVX220BL | 2" FULL PORT MANIFOLD BOTTOM LOAD ELECTRIC VALVE | 125 | 2" | 2" | 1 | VP20153 | EVX25200 |
| MEVX300BL | 3" FULL PORT MANIFOLD BOTTOM LOAD ELECTRIC VALVE | 125 | 3" | 3" | 1 | VP30153 | EVX30200 |

1"-2" MEVX SIDE LOAD ELECTRIC VALVES

| PART NO | DESCRIPTION | MAX PSI | PIPE SIZE | OPENING THRU BALL | QTY | OPTIONAL HANDLE KIT | REPAIR KIT |
|-----------|----------------------------------------------------|---------|-----------|-------------------|-----|---------------------|------------|
| MEVX100SL | 1" FULL PORT MANIFOLD SIDE LOAD ELECTRIC VALVE | 300 | 1" | 1" | 1 | VP20153SH | EVX10200 |
| MEVX200SL | 2" STANDARD PORT MANIFOLD SIDE LOAD ELECTRIC VALVE | 250 | 2" | 1½" | 1 | VP20153 | EVX20200 |
| MEVX220SL | 2" FULL PORT MANIFOLD SIDE LOAD ELECTRIC VALVE | 125 | 2" | 2" | 1 | VP20153 | EVX25200 |

1"-2" MEVX SIDE LOAD REGULATING ELECTRIC VALVES

| PART NO | DESCRIPTION | MAX PSI | PIPE SIZE | OPENING THRU BALL | QTY | OPTIONAL HANDLE KIT | REPAIR KIT |
|------------|----------------------------------------------------|---------|-----------|-------------------|-----|---------------------|------------|
| MEVXR100SL | 1" FULL PORT MANIFOLD SIDE LOAD ELECTRIC VALVE | 300 | 1" | 1" | 1 | VP20153SH | EVX10200 |
| MEVXR200SL | 2" STANDARD PORT MANIFOLD SIDE LOAD ELECTRIC VALVE | 250 | 2" | 1½" | 1 | VP20153 | EVX20200 |
| MEVXR220SL | 2" FULL PORT MANIFOLD SIDE LOAD ELECTRIC VALVE | 125 | 2" | 2" | 1 | VP20153 | EVX25200 |

MATERIALS

- 316 stainless steel ball & stem
- Stainless steel hardware
- Fiberglass reinforced polypropylene
- Zinc alloy lower actuator housing (3" only)
- PTFE seats
- FKM stem seals

ON/OFF

- Red = +12V DC
- Black = Ground
- White = +12VDC (Open)
0VDC (Close)

4 WIRE REGULATING

- Red = +12V DC (Open)
- White = Ground (Open)
- Black = +12V DC (Close)
- Green = Ground (Close)

MANIFOLD FLANGE CONNECTIONS

MEVX BANKED VALVES

FEATURES

- Valve sizes 1"-2" SP
- Number of valves from two to five bank
- Welded or bolted valves available
- Bolted valves have the same exact dimensions as our legacy EV valves.
- Additional protocols available including CAN/ISO BUS & Proportional Control



MEVX ON/OFF WELDED BANKED ELECTRIC VALVES

| PART NO | DESCRIPTION | MAX PSI | PIPE SIZE | OPENING THRU BALL | QTY |
|---------|------------------------------------|---------|-----------|-------------------|-----|
| MEVX102 | 1" FULL PORT 2 BANK ELECTRIC VALVE | 300 | 1" | 1" | 1 |
| MEVX103 | 1" FULL PORT 3 BANK ELECTRIC VALVE | 300 | 1" | 1" | 1 |

MEVX ON/OFF BOLTED BANKED ELECTRIC VALVES

| PART NO | DESCRIPTION | MAX PSI | PIPE SIZE | OPENING THRU BALL | QTY |
|----------|------------------------------------|---------|-----------|-------------------|-----|
| MEVX1012 | 1" FULL PORT 2 BANK ELECTRIC VALVE | 300 | 1" | 1" | 1 |
| MEVX1013 | 1" FULL PORT 3 BANK ELECTRIC VALVE | 300 | 1" | 1" | 1 |
| MEVX1014 | 1" FULL PORT 4 BANK ELECTRIC VALVE | 300 | 1" | 1" | 1 |

1" LEV ELECTRIC MANIFOLD VALVE

FEATURES

- TFM seats & EPDM seals
- 12-volt DC operated
- Internally fused/automatic reset
- Stationary current draw: less than 0.04 amps
- Rotating current draw: less than 0.40 amps
- Stall current: 0.75 amps
- 1/3 second response time
- Integrated mounting slot
- 3 wire configuration
- Higher torque motor to power through thick liquids and demanding applications. (MLEV100A)
- Reinforced nylon stem more than triples the strength of the standard 1" LEV. (MLEV100A)

ON/OFF

- Red = +12V DC
- Black = Ground
- White = +12VDC (Open)
0VDC (Close)



1" ON/OFF ELECTRIC VALVES

| PART NO | DESCRIPTION | MAX PSI | PIPE SIZE | OPENING THRU BALL | QTY |
|----------|----------------------------------------------------------------------|---------|-----------|-------------------|-----|
| MLEV100 | 1" MANIFOLD ELECTRIC VALVE | 300 | 1" | 1/2" | 1 |
| MLEV100A | 1" MANIFOLD ELECTRIC VALVE WITH HIGHER TORQUE MOTOR, SS BALL | 300 | 1" | 1/2" | 1 |
| MLEV100C | 1" MANIFOLD ELECTRIC VALVE WITH HIGHER TORQUE MOTOR, SS BALL, 3 WIRE | 300 | 1" | 1/2" | 1 |

MANIFOLD FLANGE CONNECTIONS



MV200CF

MV300CF

MANIFOLD 4 & 6 BOLTED VALVES

| PART NO | DESCRIPTION | MAX PSI | PIPE SIZE | OPENING THRU BALL | LOT QTY | REPLACEMENT HANDLE | REPAIR KIT |
|---------|---------------------------------|---------|-----------|-------------------|---------|--------------------|------------|
| MV100CF | 1" FULL PORT MANIFOLD VALVE | 300 | 1" | 1" | 12 | V10153A | V10200 |
| MV200CF | 2" STANDARD PORT MANIFOLD VALVE | 225 | 2" | 1½" | 12/BOX | V20200 | N/A |
| MV220CF | 2" FULL PORT MANIFOLD VALVE | 300 | 2" | 2" | 8/BOX | V25153 | V25200 |
| MV300 | 3" STANDARD PORT MANIFOLD VALVE | 150 | 3" | 2½" | 6/BOX | V25153 | V30200 |
| MV300CF | 3" FULL PORT MANIFOLD VALVE | 200 | 3" | 3" | 6/BOX | V25153 | V35200 |

1" - 3" 4 & 6 BOLTED VALVES

FEATURES

- FKM seals.
- Precision molded polypropylene is reinforced with fiberglass for additional strength
- Self-aligning ball moves freely against the PTFE seats for smooth operation. The valve opens and closes with very little pressure on the handle
- Ball is diamond turned, after molding, to make it spherically perfect, which provides precise contact between ball and seats.
- PTFE self-lubricating stem bushings and seats cannot stick or bind
- Stainless steel bolts

REPAIR KIT INCLUDES:

- Ball
- Body gasket
- Thrust washer
- Ball seats
- Upper stem bushing
- Stem o-ring



MANIFOLD BOLTED 5 WAY VALVE

| PART NO | DESCRIPTION | MAX PSI | PIPE SIZE | OPENING THRU BALL | QTY |
|---------|-----------------------------------|---------|-----------|-------------------|-----|
| MV225CF | 2" FULL PORT MANIFOLD 5 WAY VALVE | 100 | 2" | 2" | 1 |

2" BOLTED 5 WAY VALVE

FEATURES

- FKM seals
- Precision molded polypropylene is reinforced with fiberglass for additional strength
- Self-aligning ball moves freely against the PTFE seats for smooth operation. The valve opens and closes with very little pressure on the handle
- Ball is diamond turned, after molding, to make it spherically perfect, which provides precise contact between ball and seats.
- PTFE self-lubricating stem bushings and seats cannot stick or bind
- Stainless steel bolts

MANIFOLD FLANGE CONNECTIONS

2" STUBBY VALVES

FEATURES

- Precision molded polypropylene is reinforced with fiberglass for additional strength.
- Self-aligning ball moves freely against the PTFE seats for smooth operation. The valve opens and closes with very little pressure on the handle.
- Ball is diamond turned, after molding, to make it spherically perfect, which provides precise contact between ball and seats.
- PTFE self-lubricating stem bushings and seats cannot stick or bind.
- Stainless steel bolts.
- Standard size has TFE seals and Full Port size has FKM seals



VSMT200CF



VSF200CF



MVS220FP



MVSF220FP



MVS220CF



MVSMT220FP

2" MANIFOLD STUBBY VALVES

| PART NO | DESCRIPTION | MAX PSI | PIPE SIZE | OPENING THRU BALL | LOT QTY | REPLACEMENT HANDLE | REPAIR KIT |
|------------|-------------------------------------------------------------------|---------|-----------|-------------------|---------|--------------------|------------|
| VSMT200CF | 2" STANDARD PORT MANIFOLD VALVE FLANGE X MALE NPT W/TFE SEALS | 150 | 2" | 1½" | 6 | VS20152SH | N/A |
| VSF200CF | 2" STANDARD PORT MANIFOLD VALVE FLANGE X MALE ADAPTER W/TFE SEALS | 100 | 2" | 1½" | 6 | VS20152SH | N/A |
| MVS220FP | 2" FULL PORT MANIFOLD VALVE FLANGE X FEMALE NPT W/FKM SEALS | 300 | 2" | 2" | 6 | VS25153 | VS25200 |
| MVSF220FP | 2" FULL PORT MANIFOLD VALVE FLANGE X MALE ADAPTER W/FKM SEALS | 150 | 2" | 2" | 9 | VS25153 | VS25200 |
| MVS220CF | 2" FULL PORT MANIFOLD VALVE FLANGE X FLANGE W/FKM SEALS | 150 | 2" | 2" | 9 | VS25153 | VS25200 |
| MVSMT220FP | 2" FULL PORT MANIFOLD VALVE FLANGE X MALE NPT W/FKM SEALS | 225 | 2" | 2" | 9 | VS25153 | VS25200 |

Note: N/A repair kits, components available.

MANIFOLD FLANGE CONNECTIONS

2" FP STUBBY STAINLESS STEEL VALVE



VSFMT220SS

FEATURES

- PTFE seals, no elastomers
- Self-aligning ball moves freely against the PTFE seats for smooth operation. The valve opens and closes with very little pressure on the handle
- PTFE self-lubricating stem bushings and seats cannot stick or bind

2" FULL PORT STUBBY STAINLESS STEEL VALVE

| PART NO | DESCRIPTION | MAX PSI | PIPE SIZE | OPENING THRU BALL | QTY | REPLACEMENT HANDLE | REPAIR KIT |
|------------|---------------------------------------------------------|---------|-----------|-------------------|-----|--------------------|------------|
| VSFMT220SS | 2" FULL PORT STUBBY SS VALVE MALE THREAD X MALE ADAPTER | 225 | 2" | 2" | 1 | VSS20153 | VSS25200 |

MANIFOLD FLANGE CONNECTIONS

3" STUBBY VALVES

FEATURES

- FKM seals.
- Precision molded polypropylene is reinforced with fiberglass for additional strength.
- Self-aligning ball moves freely against the PTFE seats for smooth operation. The valve opens and closes with very little pressure on the handle.
- Ball is diamond turned, after molding, to make it spherically perfect, which provides precise contact between ball and seats.
- PTFE self-lubricating stem bushings and seats cannot stick or bind.
- Stainless steel bolts.



MVSF300

MVSF300FP



MVSMT300

MVS300CF



MVS300CFFP

3" MANIFOLD STUBBY VALVES

| PART NO | DESCRIPTION | MAX PSI | PIPE SIZE | OPENING THRU BALL | LOT QTY | REPLACEMENT HANDLE | REPAIR KIT |
|------------|-------------------------------------------------------|---------|-----------|-------------------|---------|--------------------|------------|
| MVSF300 | 3" STANDARD PORT MANIFOLD VALVE FLANGE X MALE ADAPTER | 100 | 3" | 2½" | 6/BOX | V25153 | VS30200 |
| MVSF300FP | 3" FULL PORT MANIFOLD VALVE FLANGE X MALE ADAPTER | 100 | 3" | 3" | 6/BOX | V25153 | VS35200 |
| MVSMT300 | 3" STANDARD PORT MANIFOLD VALVE FLANGE X MALE NPT | 225 | 3" | 2½" | 4 | V25153 | VS30200 |
| MVS300CF | 3" STANDARD PORT MANIFOLD VALVE FLANGE X FLANGE | 200 | 3" | 2½" | 6/BOX | V25153 | VS30200 |
| MVS300CFFP | 3" FULL PORT MANIFOLD VALVE FLANGE X FLANGE | 150 | 3" | 3" | 6/BOX | V25153 | VS35200 |

Note: N/A repair kits, components available.

MANIFOLD FLANGE CONNECTIONS

3" FP STUBBY VALVES WITH STAINLESS STEEL

FEATURES

- Precision molded polypropylene is reinforced with fiberglass for additional strength.
- Self-aligning ball moves freely against the PTFE seats for smooth operation. The valve opens and closes with very little pressure on the handle.
- Ball is diamond turned, after molding, to make it spherically perfect, which provides precise contact between ball and seats.
- Stainless steel bolts
- Compact design
- FKM seals



MVS300HSFP



MVSMT300HSFP

3" FULL PORT MANIFOLD STUBBY VALVES WITH SS

| PART NO | DESCRIPTION | MAX PSI | PIPE SIZE | OPENING THRU BALL | QTY | REPLACEMENT HANDLE |
|--------------|----------------------------------------------------------------------------------------|---------|-----------|-------------------|-----|--------------------|
| MVS300HSFP | 3" FULL PORT MANIFOLD STUBBY VALVE FLANGE X FLANGE WITH SS BALL, STEM & HANDLE | 100 | 3" | 3" | 1 | VS30153SS |
| MVSMT300HSFP | 3" FULL PORT MANIFOLD STUBBY VALVE MALE NPT X FLANGE WITH SS BALL, STEM & HANDLE | 200 | 3" | 3" | 1 | VS30153SS |

MANIFOLD FLANGE CONNECTIONS

3 WAY BOTTOM LOAD BALL VALVES

FEATURES

- Stainless steel bolts
- Precision molded in fiberglass reinforced polypropylene for additional strength
- Self-aligning ball moves freely against the PTFE seats for smooth operation
- Ball is diamond turned after molding to make it spherically perfect, which provides precise contact between ball and seats
- PTFE self-lubricating stem bushings and seats
- FKM body seals
- Directional flow, right or left. Valve can be turned off to stop flow

REPAIR KIT INCLUDES:

- Ball
- Body gasket
- Thrust washer
- Ball seats
- Upper stem bushing
- Stem o-ring



3 WAY BOTTOM LOAD MANIFOLD VALVES

| PART NO | DESCRIPTION | MAX PSI | PIPE SIZE | OPENING THRU BALL | LOT QTY | HANDLE TYPE | REPLACEMENT HANDLE | REPAIR KIT |
|---------|----------------------------------------|---------|-----------|-------------------|---------|-------------|--------------------|------------|
| MV100BL | 1" FP 3-WAY BOTTOM LOAD MANIFOLD VALVE | 300 | 1" | 1" | 6 | T | N/A | N/A |
| MV200BL | 2" SP 3-WAY BOTTOM LOAD MANIFOLD VALVE | 225 | 2" | 1½" | 6 | T | V20353TB | V15300SL |
| MV220BL | 2" FP 3-WAY BOTTOM LOAD MANIFOLD VALVE | 150 | 2" | 2" | 8/BOX | STRAIGHT | V25353B | V25200BL |
| MV300BL | 3" FP 3-WAY BOTTOM LOAD MANIFOLD VALVE | 150 | 3" | 3" | 4/BOX | STRAIGHT | V25353B | V35200BL |

3 WAY SIDE LOAD BALL VALVES

FEATURES

- Stainless steel bolts
- Precision molded in fiberglass reinforced polypropylene for additional strength
- Self-aligning ball moves freely against the PTFE seats for smooth operation
- Ball is diamond turned after molding to make it spherically perfect, which provides precise contact between ball and seats
- PTFE self-lubricating stem bushings and seats
- FKM body seals
- Directional flow, right or left. Valve cannot be turned off to stop flow



3 WAY SIDE LOAD MANIFOLD VALVES

| PART NO | DESCRIPTION | MAX PSI | PIPE SIZE | OPENING THRU BALL | LOT QTY | HANDLE TYPE | REPLACEMENT HANDLE | REPAIR KIT |
|---------|------------------------------------------------|---------|-----------|-------------------|---------|-------------|--------------------|------------|
| MV100SL | 1" FP 3-WAY SIDE LOAD MANIFOLD VALVE | 300 | 1" | 1" | 6 | T | N/A | N/A |
| MV200SL | 2" SP 3-WAY SIDE LOAD MANIFOLD VALVE | 225 | 2" | 1½" | 5 | STRAIGHT | V20153SH | V15300SL |
| MV220SL | 2" FP 3-WAY SIDE LOAD FULL PORT MANIFOLD VALVE | 100 | 2" | 2" | 8/BOX | STRAIGHT | V25153SH | V25200BL |

MANIFOLD FLANGE CONNECTIONS

PRESSURE SPIKE VALVES



FEATURES

- FKM seals.
- Precision molded polypropylene is reinforced with fiberglass for additional strength.
- 360° orientation
- Preset pressure spring

MANIFOLD PRESSURE SPIKE VALVES

| PART NO | DESCRIPTION | CRACKING PRESSURE | MAX PSI | QTY |
|-------------|---------------------------------------|-------------------|---------|-----|
| MPRV100-050 | 1" X 1" MANIFOLD PRESSURE SPIKE VALVE | 50 | 300 | 1 |
| MPRV100-075 | 1" X 1" MANIFOLD PRESSURE SPIKE VALVE | 75 | 300 | 1 |
| MPRV100-100 | 1" X 1" MANIFOLD PRESSURE SPIKE VALVE | 100 | 300 | 1 |
| MPRV100-125 | 1" X 1" MANIFOLD PRESSURE SPIKE VALVE | 125 | 300 | 1 |

DRY-MATE™ DRY-DISCONNECTS



FEATURES

- Easy to use
- Minimal fluid spillage
- Reduces risk of exposure
- Wide range of chemical resistance
- When properly installed and operated, the assembly will not accidentally separate while fluid is flowing; preventing costly mishaps.
- Spillage data: 2"=4ml, 3"=15ml

MANIFOLD DRY DISCONNECTS

| PART NO | DESCRIPTION | MAX PSI | PIPE SIZE | OPENING THRU BALL | QTY | REPLACEMENT HANDLE | REPAIR KIT |
|----------|--------------------------------------------|---------|-----------|-------------------|-----|--------------------|------------|
| DM200ACF | 2" MALE MANIFOLD DRY-MATE WITH FKM SEALS | 100 | 2" | 1½" | 1 | DM20153M | DM20200A |
| DM200DCF | 2" FEMALE MANIFOLD DRY-MATE WITH FKM SEALS | 100 | 2" | 1½" | 1 | DM20153F | DM20200D |
| DM300ACF | 3" MALE MANIFOLD DRY-MATE WITH FKM SEALS | 150 | 3" | 3" | 1 | DM35153M | DM35200 |
| DM300DCF | 3" FEMALE MANIFOLD DRY-MATE WITH FKM SEALS | 150 | 3" | 3" | 1 | DM35153F | DM35200 |

REPAIR KIT INCLUDES:

- Face seal
- Ball
- Seats
- Body gasket
- Thrust bearings
- Stem bushings

Note: Male and female sold separately

MANIFOLD FLANGE CONNECTIONS

BOOM NOZZLE PIPE ADAPTER

FEATURES

- Eliminates having to thread pipe
- Quick and easy assembly
- No welding necessary
- 360° orientation



M100PA



M100PAC



M100PAT

BOOM NOZZLE PIPE ADAPTER

| PART NO | DESCRIPTION | MAX PSI | LOT QTY |
|---------|-----------------------------|---------|---------|
| M100PA | 1" FLANGED PIPE ADAPTER | 300 | 10 |
| M100PAC | 1" FLANGED PIPE ADAPTER CAP | 300 | 1 |
| M100PAT | 1" FLANGED PIPE ADAPTER TEE | 300 | 1 |

INDUCTORS

FEATURES

- Threaded or manifold ends
- Glass reinforced polypropylene
- Designed for use with a volume pump. Typical volumes (80-240 US GPM) and pressures (26-52 PSI) should be used to operate the inductor.



HV200



MHV220A

MANIFOLD INDUCTORS

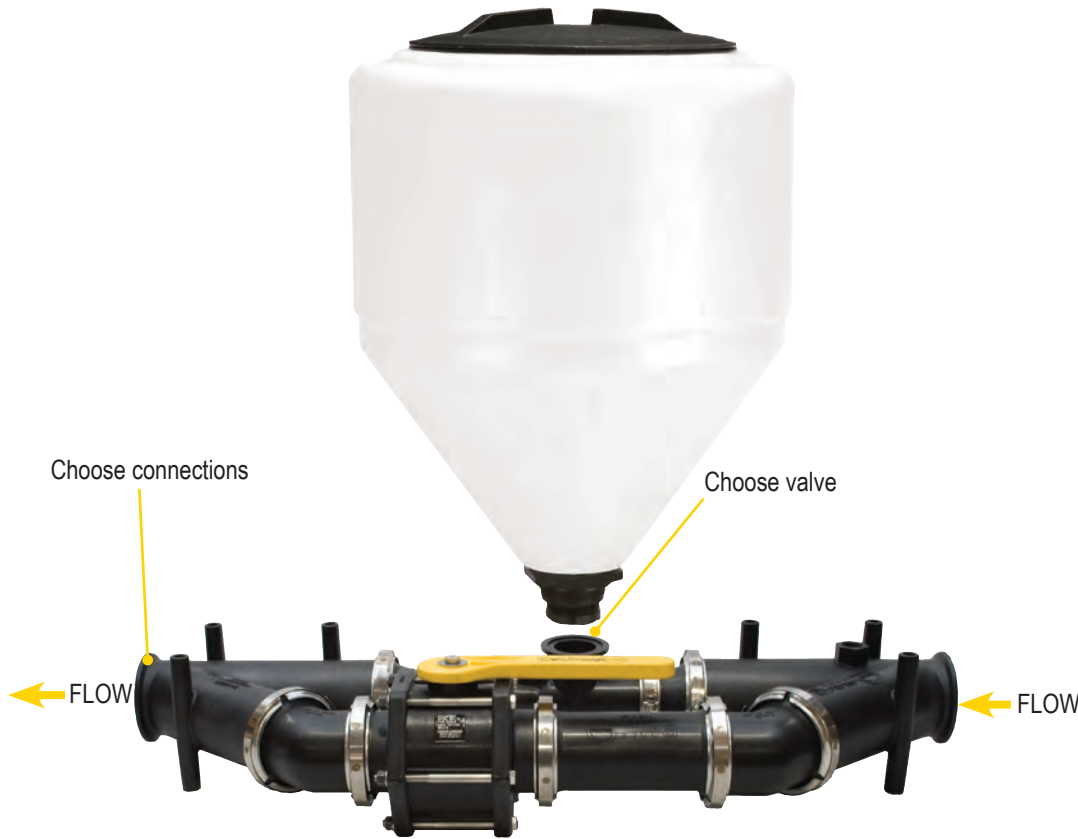
| PART NO | DESCRIPTION | PRESSURE AT PUMP | VOLUME DRAW | OPENING SIZE | LOT QTY |
|---------|---------------------------------------|------------------|-------------|--------------|---------|
| HV200 | 2" MPT INDUCTOR | 225 | 49 GPM | 7/16" | 1 |
| MHV200 | 2" MANIFOLD INDUCTOR WITH 1 1/2" PORT | 300 | 37 GPM | 5/16" | 1 |
| MHV220A | 2" FULL PORT MANIFOLD INDUCTOR | 225 | 49 GPM | 9/16" | 5 |

MANIFOLD FLANGE CONNECTIONS

INDUCTOR SYSTEMS

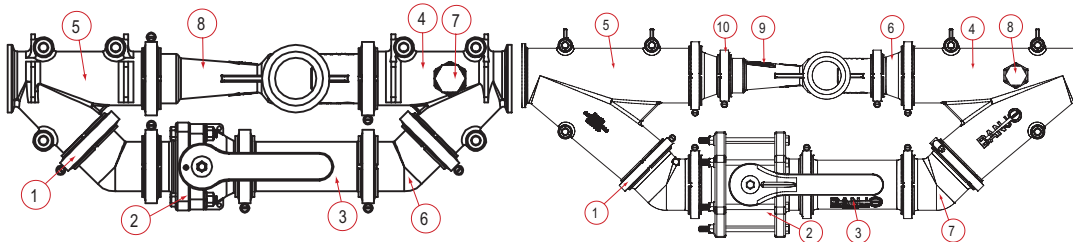
FEATURES

- Installed after pump; suction completely empties inductor tank
- Keeps pump free of chemicals
- Easy assembly/installation with manifold connections found on pages 39-45.
- Choose your connections and valve
- Tank for illustration purposes only, not included



MANIFOLD INDUCTOR SYSTEMS

| PART NO | DESCRIPTION | MAX PSI | QTY |
|---------|-----------------------------------------------------------------|---------|-----|
| MIS220 | 2" FULL PORT MANIFOLD INDUCTOR SYSTEM FLANGE X FLANGE ASSEMBLED | 225 | 1 |
| MIS300 | 3" FULL PORT MANIFOLD INDUCTOR SYSTEM FLANGE X FLANGE ASSEMBLED | 150 | 1 |



MANIFOLD INDUCTORS

| ITEM | PART NO | DESCRIPTION | LOT QTY |
|------|-----------|-----------------------------------------------|---------|
| 1 | FC220 | 220 SERIES WORM SCREW CLAMP | 10/BAG |
| 2 | MVS220CF | 2" FP FLANGE X 2" FP FLANGE | 9 |
| 3 | M220CPG6 | 2" X 2" FULL PORT FLANGE X 6" | 5 |
| 4 | M220YG45 | 2" FULL PORT 45° Y FLANGE W/ 3/4" GAUGE PORT* | 1 |
| 5 | M220Y45 | 2" FULL PORT 45° Y FLANGE | 5 |
| 6 | M220CPG45 | 2" FULL PORT 45° COUPLING | 10/BAG |
| 7 | PLUG075 | 3/4" PIPE PLUG | 10/BAG |
| 8 | MHV220A | 2" FULL PORT POLY VENTURI | 5 |
| N/S | M221G | 2" FULL PORT EPDM MANIFOLD GASKET WITH RIB | 30 |

MANIFOLD INDUCTORS

| ITEM | PART NO | DESCRIPTION | LOT QTY |
|------|------------|-----------------------------------------------|---------|
| 1 | FC300 | 300 SERIES WORM SCREW CLAMP | 10/BAG |
| 2 | MV301CF | 3" FP FLANGE X 3" FP FLANGE | 1 |
| 3 | M300CPG7 | 3" X 3" FULL PORT FLANGE X 7" | 5 |
| 4 | M300YG45 | 3" FULL PORT 45° Y FLANGE W/ 3/4" GAUGE PORT* | 1 |
| 5 | M300Y45 | 3" FULL PORT 45° Y FLANGE | 1 |
| 6 | M300220CPG | 3" X 2" FULL PORT REDUCER FLANGE | 10 |
| 7 | M300CPG45 | 3" FULL PORT 45° COUPLING | 10 |
| 8 | PLUG075 | 3/4" PIPE PLUG | 10/BAG |
| 9 | MHV220A | 2" FULL PORT POLY VENTURI | 5 |
| 10 | FC220 | 220 SERIES WORM SCREW CLAMP | 10/BAG |
| N/S | M221G | 2" FULL PORT EPDM MANIFOLD GASKET WITH RIB | 30 |
| N/S | M301G | 3" EPDM MANIFOLD GASKET WITH RIB | 50 |

*Note: Gauge not included.

MANIFOLD FLANGE CONNECTIONS

FLOW METERS

FEATURES

- Displays overall total volume and batch total volume
- Flow rate allows for Gallons or Liters per minute
- The display reads 6 digits for rate, 8 digits for total and 1 decimal place reading in tenths
- Magnetic style meter with stainless steel electrodes
- Self calibrating meter
- Measures water and most conductive liquids
- Easy to change six (6) AA batteries
- No moving parts to fail during use
- Glass-reinforced polypropylene
- Temperature range from 0°F to 150°F
- ±1% of reading (between 10% and 100% of maximum flow)
- ±3% of reading (between cutoff and 10% of maximum flow)
- There are 3 photoeyes located on the face of the flow meter. These are not push buttons; to activate you must hold your finger over the photoeye for 2-4 seconds
- Flow meters will not read petroleum based liquids
- It is recommended to have at least 10X the diameter of straight pipe before and after the flow meter



MFM100



MFM220



MFM300

FLOW METERS

| PART NO | DESCRIPTION | MAX PSI | GPM | QTY |
|---------|----------------------------------|---------|---------|-----|
| MFM100 | 1" FULL PORT MANIFOLD FLOW METER | 200 | 110 GPM | 1 |
| MFM220 | 2" FULL PORT MANIFOLD FLOW METER | 200 | 300 GPM | 1 |
| MFM300 | 3" FULL PORT FLOW METER | 200 | 670 GPM | 1 |

MANIFOLD FLANGE CONNECTIONS



SWEEPS

FEATURES

- Direct replacement for standard 90° flanged couplings
- Positive seals
- Quick and easy assembly
- Easy on/off hose connections
- 360° orientation
- Improved flow for max GPM

SWEEPS

| PART NO | DESCRIPTION | MAX PSI | LOT QTY |
|-----------------|-----------------------------------------------------------|---------|---------|
| M100125BRBSWP90 | 1" FLANGE X 1¼" HOSE BARB SWEEP | 300 | 10/BAG |
| M100BRBSWP90 | 1" FLANGE X HOSE BARB SWEEP | 300 | 10/BAG |
| M100BRBSWPG90 | 1" FULL PORT FLANGE X 1" HOSE BARB SWEEP W/ ¼" GAUGE PORT | 300 | 10/BAG |
| M100SWP90 | 1" FLANGE X FLANGE SWEEP | 300 | 10/BAG |
| M100SWPG90 | 1" FLANGE X FLANGE SWEEP W/ ¼" GAUGE PORT | 300 | 10/BAG |
| M200SWP90 | 2" FLANGE X FLANGE SWEEP | 300 | 10/BAG |
| M200150BRBSWP90 | 2" FLANGE X 1½" HOSE BARB SWEEP | 300 | 10/BAG |
| M220200SWP90 | 2" FULL PORT FLANGE X 2" FLANGE SWEEP | 300 | 10/BAG |
| M220ASWP90 | 2" FULL PORT FLANGE X MALE ADAPTER SWEEP | 200 | 10/BAG |
| M220BRBSWP90 | 2" FULL PORT FLANGE X HOSE BARB SWEEP | 300 | 10 |
| M220MPTSWP90 | 2" FULL PORT FLANGE X MALE NPT THREAD SWEEP | 300 | 1 |
| M220SWP90 | 2" FULL PORT FLANGE X FLANGE SWEEP | 300 | 10/BAG |
| M220SWPG90 | 2" FULL PORT FLANGE X FLANGE SWEEP W/ ¼" GAUGE PORT | 300 | 1 |
| M300ASWP90 | 3" FLANGE X MALE ADAPTER SWEEP | 100 | 1 |
| M300BRBSWP90 | 3" FLANGE X HOSE BARB SWEEP | 225 | 10 |
| M300BRBSWPG90 | 3" FLANGE X HOSE BARB SWEEP W/ ¼" GAUGE PORT | 225 | 1 |
| M300MPTSWP90 | 3" FLANGE X MALE NPT THREAD SWEEP | 200 | 1 |
| M300SWP90 | 3" FLANGE X FLANGE SWEEP | 200 | 10 |
| M300SWPG90 | 3" FLANGE X FLANGE SWEEP W/ ¼" GAUGE PORT | 200 | 1 |
| M300220SWP90 | 3" FULL PORT FLANGE X 2" FULL PORT FLANGE SWEEP | 300 | 1 |

MANIFOLD FLANGE CONNECTIONS

FITTINGS

FEATURES

- Quick and easy assembly
- Positive seals
- Easy on/off hose connections
- 360° orientation
- Where noted, parts must be ordered in bag quantities.



SWIVEL

| PART NO | DESCRIPTION | MAX PSI | QTY |
|---------|-------------------------------------|---------|-----|
| MSW220 | 2" FULL PORT MANIFOLD FLANGE SWIVEL | 200 | 1 |

CHECK VALVES

| PART NO | DESCRIPTION | OPENING PRESSURE PSI | MAX PSI | LOT QTY |
|---------|----------------------------------------|----------------------|---------|---------|
| MCV100 | 1" FLANGED CHECK VALVE | 1 | 300 | 10 |
| MCV200 | 2" FLANGED CHECK VALVE | 0.5 | 300 | 10 |
| MCV221 | 2" FULL PORT FLANGED CHECK VALVE | >0.5 | 200 | 10 |
| MCV300 | 3" FLANGED CHECK VALVE W/5 LB SPRING | 1.5 | 200 | 1 |
| MCV301 | 3" FLANGED CHECK VALVE W/1/2 LB SPRING | >0.5 | N/A | 1 |

PVC GLUE SOCKET

| PART NO | DESCRIPTION | MAX PSI | LOT QTY |
|---------|--------------------------------------------------|---------|---------|
| M101GSA | 1" FULL PORT FLANGE X 1" PVC GLUE SOCKET FITTING | 300 | 10 |
| M221GSA | 2" FULL PORT FLANGE X 2" PVC GLUE SOCKET FITTING | 300 | 10 |
| M301GSA | 3" FULL PORT FLANGE X 3" PVC GLUE SOCKET FITTING | 300 | 1 |

316 SS SOCKET WELD

| PART NO | DESCRIPTION | MAX PSI | LOT QTY |
|--------------|-----------------------------------------------------|---------|---------|
| M100SWFSS | 1" FLANGE X 1" SOCKET WELD FITTING | 300 | 10 |
| M200SWFSS | 2" FLANGE X 2" SOCKET WELD FITTING | 300 | 1 |
| M220SWFSS | 2" FULL PORT FLANGE X 2" SOCKET WELD FITTING | 300 | 10 |
| M220375SWFSS | 2" FULL PORT FLANGE X 2" SOCKET WELD FITTING X 3/4" | 300 | 1 |
| M300SWFSS | 3" FLANGE X 3" SOCKET WELD FITTING | 300 | 10 |
| M300375SWFSS | 3" FLANGE X 3" SOCKET WELD FITTING X 3/4" | 300 | 1 |

COUPLINGS

| PART NO | DESCRIPTION | MAX PSI | LOT QTY |
|------------|----------------------------------------------------------|---------|---------|
| M100CPG | 1" X 1" FLANGE X 2 1/4" LONG | 300 | 10/BAG |
| M200CPG | 2" X 2" FLANGE X 4 1/2" LONG | 300 | 10/BAG |
| M220CPG | 2" X 2" FULL PORT FLANGE X 2 31/32" LONG | 300 | 10/BAG |
| M220CPG3G | 2" X 2" FULL PORT FLANGE X 3" LONG WITH 1/2" GAUGE PORT | 225 | 1 |
| M220CPG6 | 2" X 2" FULL PORT FLANGE X 6" LONG | 300 | 5 |
| M300CPG | 3" X 3" FULL PORT FLANGE X 4" LONG | 200 | 10 |
| M300CPG7 | 3" X 3" FULL PORT FLANGE X 7" LONG | 225 | 5 |
| M300CPG12G | 3" X 3" FULL PORT FLANGE X 12" LONG WITH 1/2" GAUGE PORT | 150 | 1 |
| M300CPG55G | 3" X 3" FULL PORT FLANGE X 5.5" W/ 1/2" PORT | 150 | 1 |

45° COUPLINGS

| PART NO | DESCRIPTION | MAX PSI | LOT QTY |
|-----------|------------------------------|---------|---------|
| M100CPG45 | 1" X 1" 45° FLANGE | 300 | 10/BAG |
| M200CPG45 | 2" X 2" 45° FLANGE | 300 | 10/BAG |
| M220CPG45 | 2" X 2" FULL PORT 45° FLANGE | 225 | 10/BAG |
| M300CPG45 | 3" X 3" FULL PORT 45° FLANGE | 225 | 10 |

MANIFOLD FLANGE CONNECTIONS



| 90° COUPLINGS | | | |
|---------------|------------------------------|---------|---------|
| PART NO | DESCRIPTION | MAX PSI | LOT QTY |
| M100CPG90 | 1" X 1" 90° FLANGE | 300 | 10/BAG |
| M200CPG90 | 2" X 2" 90° FLANGE | 300 | 10/BAG |
| M200CPG90SH | 2" X 2" 90° SHORT FLANGE | 300 | 10/BAG |
| M220CPG90 | 2" X 2" 90° FULL PORT FLANGE | 200 | 10/BAG |
| M300CPG90 | 3" X 3" 90° FULL PORT FLANGE | 200 | 5 |



| 45° Y FLANGED COUPLINGS | | | |
|-------------------------|----------------------------------------------|---------|---------|
| PART NO | DESCRIPTION | MAX PSI | LOT QTY |
| M200YG45 | 2" 45° Y FLANGE W/ 3/4" GAUGE PORT | 225 | 1 |
| M220Y45 | 2" FULL PORT 45° Y FLANGE | 300 | 5 |
| M220YG45 | 2" FULL PORT 45° Y FLANGE W/ 3/4" GAUGE PORT | 225 | 1 |
| M300Y45 | 3" FULL PORT 45° Y FLANGE | 200 | 1 |
| M300YG45 | 3" FULL PORT 45° Y FLANGE W/ 3/4" GAUGE PORT | 200 | 1 |



| 3" MANIFOLD WYE | | | |
|-----------------|-------------------------------------------------------------------|---------|-----|
| PART NO | DESCRIPTION | MAX PSI | QTY |
| M300220WYCG | M300 X M220 X M220 X M220 FULL PORT FLANGE WYE W/ 3/4" GAUGE PORT | 300 | 1 |



| REDUCER COUPLINGS | | | |
|-------------------|----------------------------------|---------|---------|
| PART NO | DESCRIPTION | MAX PSI | LOT QTY |
| M200100CPG | 2" X 1" REDUCER FLANGE | 300 | 10/BAG |
| M220100CPG | 2" FULL PORT X 1" REDUCER FLANGE | 225 | 10/BAG |
| M220200CPG | 2" FULL PORT X 2" REDUCER FLANGE | 225 | 10/BAG |
| M300200CPG | 3" X 2" REDUCER FLANGE | 225 | 10/BAG |
| M300220CPG | 3" X 2" FULL PORT REDUCER FLANGE | 225 | 10 |



| TEES | | | |
|------------|-------------------------------------------|---------|---------|
| PART NO | DESCRIPTION | MAX PSI | LOT QTY |
| M100TEE | 1" FLANGED TEE | 300 | 10/BAG |
| M101TEE | 1" FLANGED TEE LONG | 300 | 10 |
| M200100TEE | 2" X 1" FLANGED TEE | 300 | 10 |
| M200TEE | 2" FLANGED TEE | 200 | 10/BAG |
| M220100TEE | 2" FULL PORT FLANGED TEE X 1" FLANGED TEE | 225 | 10 |
| M220200TEE | 2" FULL PORT FLANGED TEE X 2" FLANGED TEE | 300 | 10 |
| M220TEE | 2" FULL PORT FLANGED TEE | 225 | 10 |
| M300TEE | 3" FLANGED TEE | 225 | 10 |



| U BOLTS | | | |
|---------|----------------------------|---------|---------|
| PART NO | DESCRIPTION | MAX PSI | LOT QTY |
| UB100 | 100 SERIES MOUNTING U BOLT | N/A | 1 |
| UB202 | 2 SERIES MOUNTING U BOLT | N/A | 10 |
| UB220 | 220 SERIES MOUNTING U BOLT | N/A | 10 |

FITTINGS

FEATURES

- Quick and easy assembly
- Positive seals
- Easy on/off hose connections
- 360° orientation
- Where noted, parts must be ordered in bag quantities

MANIFOLD FLANGE CONNECTIONS

FITTINGS

FEATURES

- Quick and easy assembly
- Positive seals
- Easy on/off hose connections
- 360° orientation
- Where noted, parts must be ordered in bag quantities.



SS BUTT WELD ADAPTER

| PART NO | DESCRIPTION | MAX PSI | QTY |
|-----------|------------------------------------------------|---------|-----|
| M220BWASS | 2" FULL PORT STAINLESS STEEL BUTT WELD ADAPTER | 300 | 1 |



FEMALE NPT THREAD

| PART NO | DESCRIPTION | MAX PSI | LOT QTY |
|------------|----------------------------------------|---------|---------|
| M100050FPT | 1" FLANGE X 1/2" FEMALE THREAD | 300 | 10/BAG |
| M100075FPT | 1" FLANGE X 3/4" FEMALE THREAD | 300 | 10/BAG |
| M100FPT | 1" FLANGE X 1" FEMALE THREAD | 300 | 10/BAG |
| M200FPT | 2" FLANGE X 2" FEMALE THREAD | 300 | 10/BAG |
| M200150FPT | 2" FLANGE X 1 1/2" FEMALE THREAD | 300 | 10/BAG |
| M220FPT | 2" FULL PORT FLANGE X 2" FEMALE THREAD | 300 | 10/BAG |
| M300FPT | 3" FLANGE X 3" FEMALE THREAD | 200 | 10/BAG |



MALE THREAD

| PART NO | DESCRIPTION | MAX PSI | LOT QTY |
|------------|--------------------------------------|---------|---------|
| M100075MPT | 1" FLANGE X 3/4" MALE THREAD | 300 | 10/BAG |
| M100MPT | 1" FLANGE X 1" MALE THREAD | 300 | 10/BAG |
| M100125MPT | 1" FLANGE X 1 1/4" MALE THREAD | 300 | 10/BAG |
| M200125MPT | 2" FLANGE X 1 1/4" MALE THREAD | 300 | 10/BAG |
| M200150MPT | 2" FLANGE X 1 1/2" MALE THREAD | 300 | 10/BAG |
| M200MPT | 2" FLANGE X 2" MALE THREAD | 300 | 10/BAG |
| M220MPT | 2" FULL PORT FLANGE X 2" MALE THREAD | 300 | 10/BAG |
| M300MPT | 3" FLANGE X 3" MALE THREAD | 300 | 10 |



316 SS MALE THREAD

| PART NO | DESCRIPTION | MAX PSI | QTY |
|--------------|------------------------------------------|---------|-----|
| M100MPTSS | 1" FLANGE X 1" MALE THREAD | 300 | 1 |
| M200125MPTSS | 2" FLANGE X 1 1/4" MALE THREAD | 300 | 1 |
| M200150MPTSS | 2" FLANGE X 1 1/2" MALE THREAD | 300 | 1 |
| M200MPTSS | 2" FLANGE X 2" MALE THREAD | 300 | 1 |
| M220150MPTSS | 2" FULL PORT FLANGE X 1 1/2" MALE THREAD | 300 | 1 |
| M220MPTSS | 2" FULL PORT FLANGE X 2" MALE THREAD | 300 | 1 |
| M300220MPTSS | 3" FLANGE X 2" FULL PORT MALE THREAD | 300 | 1 |
| M300MPTSS | 3" FLANGE X 3" MALE THREAD | 300 | 1 |

MANIFOLD FLANGE CONNECTIONS

FITTINGS

FEATURES

- Quick and easy assembly
- Positive seals
- Easy on/off hose connections
- 360° orientation
- Where noted, parts must be ordered in bag quantities



PLUGS

| PART NO | DESCRIPTION | MAX PSI | LOT QTY |
|------------|----------------------------------------|---------|---------|
| M100PLG | 1" FLANGE PLUG | 300 | 10/BAG |
| M200PLG | 2" FLANGE PLUG | 300 | 10/BAG |
| M220PLG | 2" FULL PORT FLANGE PLUG | 300 | 10/BAG |
| M300PLG | 3" FULL PORT FLANGE PLUG | 225 | 10/BAG |
| M100PLG025 | 1" FLANGE PLUG WITH 1/4" FPT | 300 | 10/BAG |
| M100PLG050 | 1" FLANGE PLUG WITH 1/2" FPT | 300 | 10/BAG |
| M200PLG025 | 2" FLANGE PLUG WITH 1/4" FPT | 225 | 10/BAG |
| M200PLG038 | 2" FLANGE PLUG WITH 3/8" FPT | 300 | 10/BAG |
| M200PLG050 | 2" FLANGE PLUG WITH 1/2" FPT | 225 | 10/BAG |
| M200PLG075 | 2" FLANGE PLUG WITH 3/4" FPT | 225 | 10/BAG |
| M200PLG100 | 2" FLANGE PLUG WITH 1" FPT | 225 | 10/BAG |
| M220PLG038 | 2" FULL PORT FLANGE PLUG WITH 3/8" FPT | 150 | 10/BAG |
| M220PLG075 | 2" FULL PORT FLANGE PLUG WITH 3/4" FPT | 225 | 10/BAG |
| M300PLG075 | 3" FLANGE PLUG WITH 3/4" FPT | 200 | 10/BAG |
| M300PLG100 | 3" FLANGE PLUG WITH 1" FPT | 200 | 1 |

FEMALE COUPLER

| PART NO | DESCRIPTION | MAX PSI | LOT QTY |
|---------|-----------------------------------------------------|---------|---------|
| M220D | 2" FULL PORT FLANGE X 2" FEMALE COUPLER | 225 | 20 |
| M303D | 3" FULL PORT FLANGE X 3" FEMALE COUPLER WITH 3 ARMS | 225 | 10 |

MALE ADAPTER

| PART NO | DESCRIPTION | MAX PSI | LOT QTY |
|---------|---------------------------------------|---------|---------|
| M100A | 1" FLANGE X 1" MALE ADAPTER | 300 | 10/BAG |
| M200A | 2" FLANGE X 2" MALE ADAPTER | 300 | 10/BAG |
| M220A | 2" FULL PORT FLANGE X 2" MALE ADAPTER | 225 | 10/BAG |
| M300A | 3" FULL PORT FLANGE X 3" MALE ADAPTER | 100 | 10 |

CROSS

| PART NO | DESCRIPTION | MAX PSI | LOT QTY |
|---------|----------------------------|---------|---------|
| M100CR | 1" FLANGED CROSS | 300 | 10/BAG |
| M200CR | 2" FLANGED CROSS | 300 | 10 |
| M220CR | 2" FULL PORT FLANGED CROSS | 200 | 10 |
| M300CR | 3" FLANGED CROSS | 125 | 5 |

MANIFOLD FLANGE CONNECTIONS

FITTINGS

FEATURES

- Quick and easy assembly
- Positive seals
- Easy on/off hose connections
- 360° orientation
- Where noted, parts must be ordered in bag quantities.



HOSE BARB

| PART NO | DESCRIPTION | MAX PSI | LOT QTY |
|------------|----------------------------------------|---------|---------|
| M100075BRB | 1" FLANGE X 3/4" HOSE BARB | 300 | 10/BAG |
| M100BRB | 1" FLANGE X 1" HOSE BARB | 300 | 10/BAG |
| M100125BRB | 1" FLANGE X 1 1/4" HOSE BARB | 300 | 10/BAG |
| M200100BRB | 2" FLANGE X 1" HOSE BARB | 300 | 10/BAG |
| M200125BRB | 2" FLANGE X 1 1/4" HOSE BARB | 300 | 10/BAG |
| M200150BRB | 2" FLANGE X 1 1/2" HOSE BARB | 300 | 10/BAG |
| M200BRB | 2" FLANGE X 2" HOSE BARB | 300 | 10/BAG |
| M220100BRB | 2" FULL PORT FLANGE X 1" HOSE BARB | 300 | 10/BAG |
| M220125BRB | 2" FULL PORT FLANGE X 1 1/4" HOSE BARB | 300 | 10/BAG |
| M220150BRB | 2" FULL PORT FLANGE X 1 1/2" HOSE BARB | 300 | 10/BAG |
| M220BRB | 2" FULL PORT FLANGE X 2" HOSE BARB | 300 | 10/BAG |
| M300220BRB | 3" FLANGE X 2" FULL PORT HOSE BARB | 125 | 10 |
| M300BRB | 3" FLANGE X 3" HOSE BARB | 200 | 10 |

90° HOSE BARB ELBOW

| PART NO | DESCRIPTION | MAX PSI | LOT QTY |
|--------------|--------------------------------------------|---------|---------|
| M100075BRB90 | 1" FLANGE X 3/4" 90° HOSE BARB | 300 | 10/BAG |
| M100BRB90 | 1" FLANGE X 1" 90° HOSE BARB | 300 | 10/BAG |
| M100125BRB90 | 1" FLANGE X 1 1/4" 90° HOSE BARB | 300 | 10/BAG |
| M100150BRB90 | 1" FLANGE X 1 1/2" 90° HOSE BARB | 300 | 10/BAG |
| M200100BRB90 | 2" FLANGE X 1" 90° HOSE BARB | 300 | 10/BAG |
| M200125BRB90 | 2" FLANGE X 1 1/4" 90° HOSE BARB | 300 | 10/BAG |
| M200150BRB90 | 2" FLANGE X 1 1/2" 90° HOSE BARB | 300 | 10/BAG |
| M200BRB90 | 2" FLANGE X 2" 90° HOSE BARB | 300 | 10/BAG |
| M220150BRB90 | 2" FULL PORT FLANGE X 1 1/2" 90° HOSE BARB | 300 | 10/BAG |
| M220BRB90 | 2" FULL PORT FLANGE X 2" 90° HOSE BARB | 300 | 10/BAG |
| M300220BRB90 | 3" FLANGE X 2" 90° FULL PORT HOSE BARB | 300 | 1 |
| M300BRB90 | 3" FLANGE X 3" 90° HOSE BARB | 150 | 10 |

45° HOSE BARB ELBOW

| PART NO | DESCRIPTION | MAX PSI | LOT QTY |
|--------------|----------------------------------------------|---------|---------|
| M100BRB45 | 1" FLANGE X 1" 45° HOSE BARB ELBOW | 300 | 10/BAG |
| M200BRB45 | 2" FLANGE X 2" 45° HOSE BARB ELBOW | 300 | 10/BAG |
| M200125BRB45 | 2" FLANGE X 1 1/4" 45° HOSE BARB ELBOW | 300 | 10/BAG |
| M200150BRB45 | 2" FLANGE X 1 1/2" 45° HOSE BARB ELBOW | 300 | 10/BAG |
| M220BRB45 | 2" FULL PORT FLANGE X 2" 45° HOSE BARB ELBOW | 300 | 10/BAG |
| M300BRB45 | 3" FLANGE X 3" 45° HOSE BARB ELBOW | 150 | 10 |

HOSE BARB TEE

| PART NO | DESCRIPTION | MAX PSI | LOT QTY |
|------------|----------------------------------------|---------|---------|
| M100050HBT | 1" FLANGE X 1/2" HOSE BARB TEE | N/A | 10/BAG |
| M100075HBT | 1" FLANGE X 3/4" HOSE BARB TEE | N/A | 10/BAG |
| M100100HBT | 1" FLANGE X 1" HOSE BARB TEE | 300 | 10/BAG |
| M220200HBT | 2" FULL PORT FLANGE X 2" HOSE BARB TEE | 300 | 10/BAG |
| M300300HBT | 3" FLANGE X 3" HOSE BARB TEE | 150 | 10/BAG |

MANIFOLD FLANGE CONNECTIONS



BOLTED FLANGE CLAMPS

| PART NO | DESCRIPTION | TORQUE | QTY |
|---------|----------------------------------|------------|-----|
| FC220B | 2" FULL PORT BOLTED FLANGE CLAMP | 150 IN/LBS | 1 |
| FC300B | 3" BOLTED FLANGE CLAMP | 150 IN/LBS | 1 |

T-BOLT FLANGE CLAMPS

| PART NO | DESCRIPTION | TORQUE | QTY |
|---------|--------------------------------------------|------------|--------|
| FC220TB | 2" FULL PORT HI-TORQUE T-BOLT FLANGE CLAMP | 100 IN/LBS | 10/BAG |
| FC300TB | 3" FULL PORT HI-TORQUE T-BOLT FLANGE CLAMP | 100 IN/LBS | 10/BAG |

FLANGE CLAMPS

| PART NO | DESCRIPTION | TORQUE | QTY |
|---------|-----------------------------|---------------|--------|
| FC100 | 100 SERIES WORM SCREW CLAMP | 50-60 IN/LBS | 10/BAG |
| FC200 | 200 SERIES WORM SCREW CLAMP | 90-100 IN/LBS | 10/BAG |
| FC220 | 220 SERIES WORM SCREW CLAMP | 90-100 IN/LBS | 10/BAG |
| FC300 | 300 SERIES WORM SCREW CLAMP | 90-100 IN/LBS | 10/BAG |

GASKETS

| PART NO | DESCRIPTION | GASKET MATERIAL | LOT QTY |
|---------|-----------------------------------------------|-----------------|---------|
| M100G | 100 SERIES MANIFOLD GASKET | EPDM | 25 |
| M101G | 100 SERIES MANIFOLD GASKET WITH RIB | EPDM | 35 |
| M102G | 1" & 1 1/4" SKIRTED FLANGE GASKET | EPDM | 1 |
| M100GV | 100 SERIES GASKET | FKM | 10 |
| 75GV | 3/4" FKM GASKET | FKM | 10 |
| 150G | 200 SERIES GASKET | EPDM | 25 |
| 150GV | 200 SERIES GASKET | FKM | 10 |
| 200G | 220 SERIES FULL PORT GASKET | EPDM | 25 |
| 200GV | 220 SERIES FULL PORT GASKET | FKM | 10 |
| M201G | 200 SERIES MANIFOLD GASKET WITH RIB | EPDM | 30 |
| M202G | 1 1/2" SKIRTED FLANGE GASKET | EPDM | 1 |
| M221G | 220 SERIES FULL PORT MANIFOLD GASKET WITH RIB | EPDM | 30 |
| M222G | 2" SKIRTED FLANGE GASKET | EPDM | 1 |
| 300G | 300 SERIES GASKET | EPDM | 25 |
| 300GV | 300 SERIES GASKET | FKM | 10 |
| M301G | 300 SERIES MANIFOLD GASKET WITH RIB | EPDM | 50 |
| M302G | 3" SKIRTED FLANGE GASKET | EPDM | 1 |



Rib keeps gasket in place during assembly.



M302G

M201G

200G

200GV



MINI T STRAINERS

| PART NO | DESCRIPTION | MAX PSI | QTY |
|-------------|-----------------------------------------------|---------|-----|
| MLSTM100-80 | 1" MANIFOLD MINI T STRAINER 80 MESH | 300 | 1 |
| MLSTM100HB | 1" MANIFOLD MINI T STRAINER HEAD & BOWL | N/A | 1 |
| MLSTM100HBC | 1" MANIFOLD MINI T STRAINER HEAD & CLEAR BOWL | N/A | 1 |

FITTINGS

FEATURES

- Quick and easy assembly
- Positive seals
- Easy on/off hose connections
- 360° orientation
- Where noted, parts must be ordered in bag quantities

MINI T LINE STRAINERS

FEATURES

- Heavy duty glass reinforced polypropylene
- Clear bowl made of polycarbonate
- EPDM gaskets standard

MANIFOLD FLANGE CONNECTIONS

1"-2" T LINE STRAINERS

FEATURES

- EPDM gaskets
- Poly ribbed 316 stainless steel screens



1" FULL PORT MANIFOLD T LINE STRAINERS

| PART NO | DESCRIPTION | MAX PSI | QTY |
|-------------|------------------------------------------|---------|-----|
| MLST100-30 | 1" MANIFOLD T STRAINER W/30 MESH SCREEN | 300 | 1 |
| MLST100-50 | 1" MANIFOLD T STRAINER W/50 MESH SCREEN | 300 | 1 |
| MLST100-80 | 1" MANIFOLD T STRAINER W/80 MESH SCREEN | 300 | 1 |
| MLST100-100 | 1" MANIFOLD T STRAINER W/100 MESH SCREEN | 300 | 1 |

2" STANDARD PORT MANIFOLD T LINE STRAINERS

| PART NO | DESCRIPTION | MAX PSI | QTY |
|-------------|----------------------------------------------------------|---------|-----|
| MLST150-30 | 2" MANIFOLD T STRAINER W/30 MESH SCREEN | 225 | 1 |
| MLST150-50 | 2" MANIFOLD T STRAINER W/50 MESH SCREEN | 225 | 1 |
| MLST150-80 | 2" MANIFOLD T STRAINER W/80 MESH SCREEN | 225 | 1 |
| MLST150-80V | 2" MANIFOLD T STRAINER W/80 MESH SCREEN WITH FKM GASKETS | 225 | 1 |
| MLST150-100 | 2" MANIFOLD T STRAINER W/100 MESH SCREEN | 225 | 1 |

1"-2" Y LINE STRAINERS

FEATURES

- EPDM gaskets
- Poly ribbed 316 stainless steel screens



1" FULL PORT MANIFOLD Y LINE STRAINERS

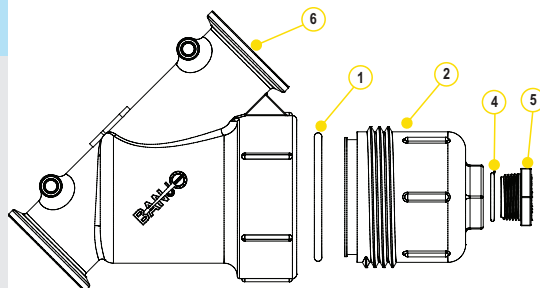
| PART NO | DESCRIPTION | MAX PSI | QTY |
|-----------|-----------------------------------------|---------|-----|
| MLS100-80 | 1" MANIFOLD Y STRAINER W/80 MESH SCREEN | 225 | 1 |

2" STANDARD PORT MANIFOLD Y LINE STRAINERS

| PART NO | DESCRIPTION | MAX PSI | QTY |
|-----------|-----------------------------------------|---------|-----|
| MLS200-12 | 2" MANIFOLD Y STRAINER W/12 MESH SCREEN | 225 | 1 |
| MLS200-20 | 2" MANIFOLD Y STRAINER W/20 MESH SCREEN | 225 | 1 |
| MLS200-50 | 2" MANIFOLD Y STRAINER W/50 MESH SCREEN | 225 | 1 |
| MLS200-80 | 2" MANIFOLD Y STRAINER W/80 MESH SCREEN | 225 | 1 |



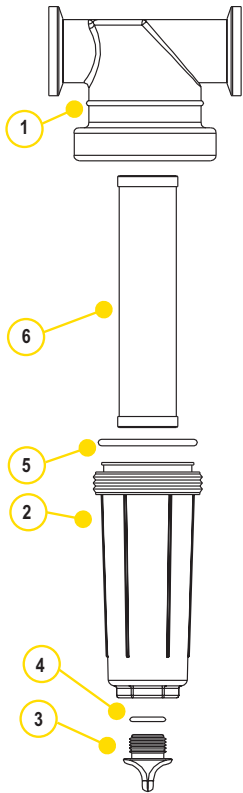
Y LINE STRAINERS



REPLACEMENT PARTS 2"

| ITEM | PART NO | DESCRIPTION | QTY |
|------|-----------|---------------------------------|-----|
| 1 | LS150-G | 2" EPDM GASKET | 1 |
| 2 | LS150-C | 2" Y BOWL, DRAIN PLUG, O-RING | 1 |
| 3 | LSQ200-PL | 2" PLUG | 1 |
| 4 | LSQ200-R | O-RING | 1 |
| 5 | LST225D | DECAL | 1 |
| 6 | MLS200BB | 2" MANIFOLD Y STRAINER BODY | 1 |
| KIT | MLS200BCM | 2" FLANGE Y STRAINER BODY & CAP | 1 |

MANIFOLD FLANGE CONNECTIONS

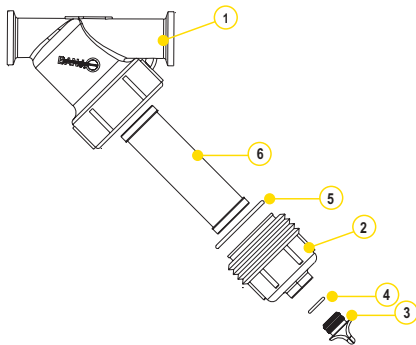


REPLACEMENT PARTS 1"

| ITEM | PART NO | DESCRIPTION | QTY |
|------|------------|-------------------------------|-----|
| 1 | MLST100-H | 1" T BODY | 1 |
| 2 | LST100-B | 1" T BOWL, DRAIN PLUG, O-RING | 1 |
| 3 | 12777 | 1/2" PLUG | 1 |
| 4 | UV15163 | O-RING | 1 |
| 5 | LST100-G | 1" EPDM GASKET | 1 |
| 5 | LST100-GV | 1" FKM GASKET | 1 |
| 6 | LST116 | 16 MESH SCREEN | 1 |
| 6 | LST130 | 30 MESH SCREEN | 1 |
| 6 | LST150 | 50 MESH SCREEN | 1 |
| 6 | LST180 | 80 MESH SCREEN | 1 |
| 6 | LST1100 | 100 MESH SCREEN | 1 |
| KIT | MLST100-HB | KIT INCLUDES ITEMS 1-5 | 1 |

REPLACEMENT PARTS 2"

| ITEM | PART NO | DESCRIPTION | QTY |
|------|------------|-----------------------------------|-----|
| 1 | MLST150-H | 1 1/2" T BODY | 1 |
| 2 | LST150-B | 1 1/2" T BOWL, DRAIN PLUG, O-RING | 1 |
| 3 | LSQ200-PL | 1 1/2" PLUG | 1 |
| 4 | LSQ200-R | O-RING | 1 |
| 5 | LST150-G | 1 1/2" EPDM GASKET | 1 |
| 5 | LST150-GV | 1 1/2" FKM GASKET | 1 |
| 6 | LST1516 | 16 MESH SCREEN | 1 |
| 6 | LST1530 | 30 MESH SCREEN | 1 |
| 6 | LST1550 | 50 MESH SCREEN | 1 |
| 6 | LST1580 | 80 MESH SCREEN | 1 |
| 6 | LST15100 | 100 MESH SCREEN | 1 |
| KIT | MLST150-HB | KIT INCLUDES ITEMS 1-5 | 1 |



REPLACEMENT PARTS 1"

| ITEM | PART NO | DESCRIPTION | QTY |
|------|----------|-------------------------------|-----|
| 1 | MLS100B | 1" Y BODY | 1 |
| 2 | LS100-C1 | 1" Y BOWL, DRAIN PLUG, O-RING | 1 |
| 3 | 12777 | 1/2" PLUG | 1 |
| 4 | UV15163 | O-RING | 1 |
| 5 | LS100-G | 1" EPDM GASKET | 1 |
| 6 | LS120 | 20 MESH SCREEN | 1 |
| 6 | LS140 | 40 MESH SCREEN | 1 |
| 6 | LS180 | 80 MESH SCREEN | 1 |
| KIT | MLS100BC | KIT INCLUDES ITEMS 1-5 | 1 |

REPLACEMENT PARTS 2"

| ITEM | PART NO | DESCRIPTION | QTY |
|------|-----------|-------------------------------|-----|
| 1 | MLS200B | 2" Y BODY | 1 |
| 2 | LS150-C | 2" Y BOWL, DRAIN PLUG, O-RING | 1 |
| 3 | LSQ200-PL | 2" PLUG | 1 |
| 4 | LSQ200-R | O-RING | 1 |
| 5 | LS150-G | 2" EPDM GASKET | 1 |
| 5 | LS150-GV | 2" FKM GASKET | 1 |
| 6 | LS206 | 6 MESH SCREEN | 1 |
| 6 | LS212 | 12 MESH SCREEN | 1 |
| 6 | LS220 | 20 MESH SCREEN | 1 |
| 6 | LS230 | 30 MESH SCREEN | 1 |
| 6 | LS250 | 50 MESH SCREEN | 1 |
| 6 | LS280 | 80 MESH SCREEN | 1 |
| 6 | LS2120 | 120 MESH SCREEN | 1 |
| KIT | MLS200BC | KIT INCLUDES ITEMS 1-5 | 1 |

T LINE STRAINERS

SCREENS

| MESH SIZE | RIB COLOR |
|-----------|---------------|
| 16 MESH | BROWN RED |
| 30 MESH | FLAME RED |
| 50 MESH | GENTIAN BLUE |
| 80 MESH | ZINC YELLOW |
| 100 MESH | TRAFFIC GREEN |

Y LINE STRAINERS

SCREENS

| MESH SIZE | RIB COLOR |
|-----------|---------------|
| 6 MESH | WHITE |
| 12 MESH | BLACK |
| 20 MESH | BEIGE |
| 30 MESH | FLAME RED |
| 40 MESH | BROWN |
| 50 MESH | GENTIAN BLUE |
| 80 MESH | ZINC YELLOW |
| 100 MESH | TRAFFIC GREEN |
| 120 MESH | BLACK |

MANIFOLD FLANGE CONNECTIONS

2" FULL PORT Y LINE STRAINERS

FEATURES

- EPDM gaskets
- 316 stainless steel screens



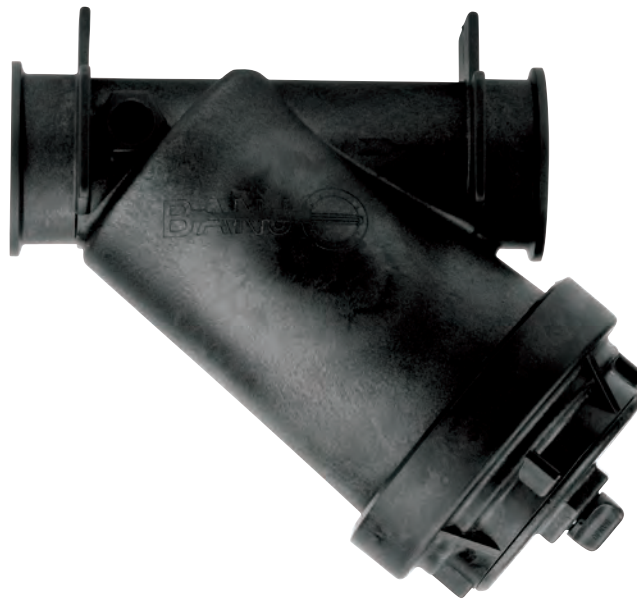
2" FULL PORT MANIFOLD Y LINE STRAINERS

| PART NO | DESCRIPTION | MAX PSI | QTY |
|-----------|---------------------------------------------------|---------|-----|
| MLS222-04 | 2" FULL PORT MANIFOLD Y STRAINER W/4 MESH SCREEN | 225 | 1 |
| MLS222-10 | 2" FULL PORT MANIFOLD Y STRAINER W/12 MESH SCREEN | 225 | 1 |
| MLS222-16 | 2" FULL PORT MANIFOLD Y STRAINER W/16 MESH SCREEN | 225 | 1 |
| MLS222-30 | 2" FULL PORT MANIFOLD Y STRAINER W/30 MESH SCREEN | 225 | 1 |
| MLS222-50 | 2" FULL PORT MANIFOLD Y STRAINER W/50 MESH SCREEN | 225 | 1 |
| MLS222-80 | 2" FULL PORT MANIFOLD Y STRAINER W/80 MESH SCREEN | 225 | 1 |

3" Y LINE STRAINERS

FEATURES

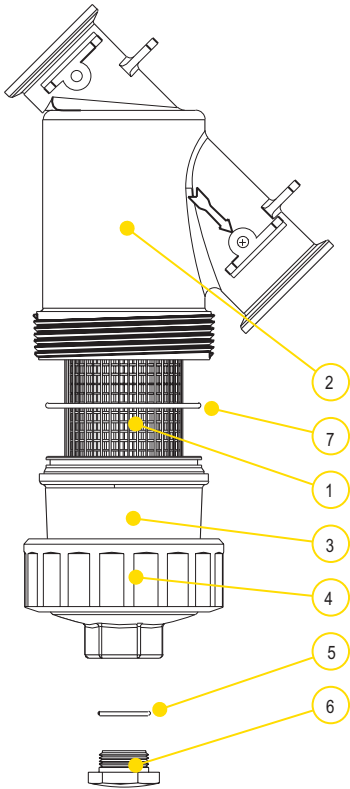
- EPDM gaskets
- 304 stainless steel screens
- Must use on suction side or non-pressure side in all applications



3" FULL PORT MANIFOLD Y LINE STRAINERS

| PART NO | DESCRIPTION | MAX PSI | LOT QTY |
|-----------|-----------------------------------------|---------|---------|
| MLS300-12 | 3" MANIFOLD Y STRAINER W/12 MESH SCREEN | 100 | 1 |
| MLS300-20 | 3" MANIFOLD Y STRAINER W/20 MESH SCREEN | 100 | 2 |
| MLS300-50 | 3" MANIFOLD Y STRAINER W/50 MESH SCREEN | 100 | 2 |

MANIFOLD FLANGE CONNECTIONS



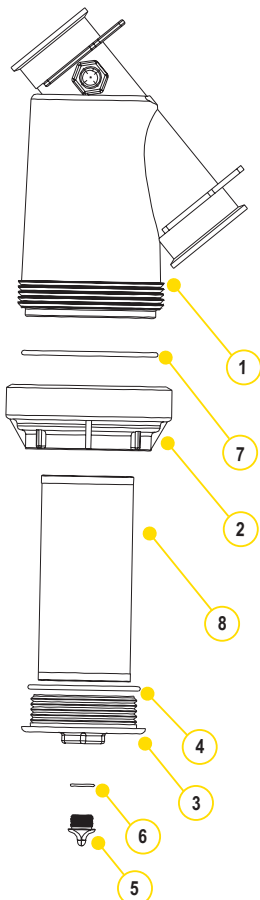
REPLACEMENT PARTS 2"

| ITEM | PART NO | DESCRIPTION | QTY |
|------|-----------|-------------------------------|-----|
| 1 | LST204SS | 4 SS MESH SCREEN | 1 |
| 1 | LST206SS | 6 SS MESH SCREEN | 1 |
| 1 | LST208SS | 8 SS MESH SCREEN | 1 |
| 1 | LST210SS | 10 SS MESH SCREEN | 1 |
| 1 | LST216SS | 16 SS MESH SCREEN | 1 |
| 1 | LST230SS | 30 SS MESH SCREEN | 1 |
| 1 | LST250SS | 50 SS MESH SCREEN | 1 |
| 1 | MLS250SS | 50 SS MESH PERFORATED SCREEN | 1 |
| 1 | LST280SS | 80 SS MESH SCREEN | 1 |
| 1 | MLS280SS | 80 SS MESH PERFORATED SCREEN | 1 |
| 1 | LST2100SS | 100 SS MESH SCREEN | 1 |
| 1 | MLS2100SS | 100 SS MESH PERFORATED SCREEN | 1 |
| 2 | MLS222B | 2" FLANGED Y STRAINER BODY | 1 |
| 3 | MLS220C1 | 2" FLANGED Y STRAINER CAP | 1 |
| 4 | MLS220R1 | 2" FLANGED Y STRAINER RING | 1 |
| 5 | LSQ200-R | 2" PLUG GASKET | 1 |
| 6 | LSQ200-PL | 2" PLUG | 1 |
| 7 | MLS220G1 | 2" BODY GASKET | 1 |
| 2-7 | MLS222BC | STRAINER WITHOUT SCREEN | 1 |

2" FULL PORT Y LINE STRAINERS

FEATURES

- EPDM gaskets
- 316 stainless steel screens



REPLACEMENT PARTS 3"

| ITEM | PART NO | DESCRIPTION | QTY |
|------|------------|----------------------------|-----|
| 1 | MLS300B | 3" FLANGED Y STRAINER BODY | 1 |
| 2 | MLS300CAP | 3" FLANGED Y STRAINER CAP | 1 |
| 3 | LS300EC | 3" END CAP | 1 |
| 4 | MLS300ECG | 3" EPDM END CAP GASKET | 1 |
| 4 | MLS300ECGV | 3" FKM END CAP GASKET | 1 |
| 5 | 13777 | 3/4" PLUG | 1 |
| 6 | 13778 | O-RING | 1 |
| 7 | MLS300G | 3" EPDM CAP GASKET | 1 |
| 8 | LS304 | 4 SS MESH SCREEN | 1 |
| 8 | LS308 | 8 SS MESH SCREEN | 1 |
| 8 | LS312 | 12 SS MESH SCREEN | 1 |
| 8 | LS320 | 20 SS MESH SCREEN | 1 |
| 8 | LS350 | 50 SS MESH SCREEN | 1 |
| 1-7 | MLS300BC | STRAINER WITHOUT SCREEN | 1 |

3" Y LINE STRAINERS

FEATURES

- EPDM gaskets
- 304 stainless steel screens
- Must use on suction side or non-pressure side in all applications

MANIFOLD FLANGE CONNECTIONS

BOTTOM DRAIN BOLTED TANK FITTINGS

FEATURES

- Stainless steel bolts
- Bolt head plugs sealed ultrasonically
- Glass reinforced polypropylene
- EPDM gasket standard
- FKM gasket available



BOTTOM DRAIN BOLTED TANK FITTINGS

| PART NO | DESCRIPTION | MAX PSI | LOT QTY |
|----------|-----------------------------------------------|---------|---------|
| MBF100BD | 1" FLANGE X 1" FEMALE THREAD W/EPDM GASKET | 150 | 5 |
| MBF200BD | 2" FLANGE X 2" FEMALE THREAD W/EPDM GASKET | 150 | 5 |
| MBF220BD | 2" FP FLANGE X 2" FEMALE THREAD W/EPDM GASKET | 150 | 5 |
| MBF300BD | 3" FLANGE X 3" FEMALE THREAD W/EPDM GASKET | 150 | 8 |

BOTTOM DRAIN BULKHEAD FITTINGS

FEATURES

- Glass reinforced polypropylene
- EPDM standard
- Groove allows more drainage
- Gasket not included



BOTTOM DRAIN BULKHEAD FITTINGS

| PART NO | DESCRIPTION | HOLE SIZE | MAX PSI | LOT QTY |
|----------|-----------------------------------------------|----------------------------------|---------|---------|
| MTF100BD | 1" FLANGE X 1" FEMALE THREAD W/EPDM GASKET | 1 ¹ / ₃₂ " | 300 | 10 |
| MTF220BD | 2" FP FLANGE X 2" FEMALE THREAD W/EPDM GASKET | 3 ¹ / ₄ " | 300 | 10 |
| MTF300BD | 3" FLANGE X 3" FEMALE THREAD W/EPDM GASKET | 4 ¹ / ₂ " | 200 | 1 |

BOLTED TANK FITTINGS

FEATURES

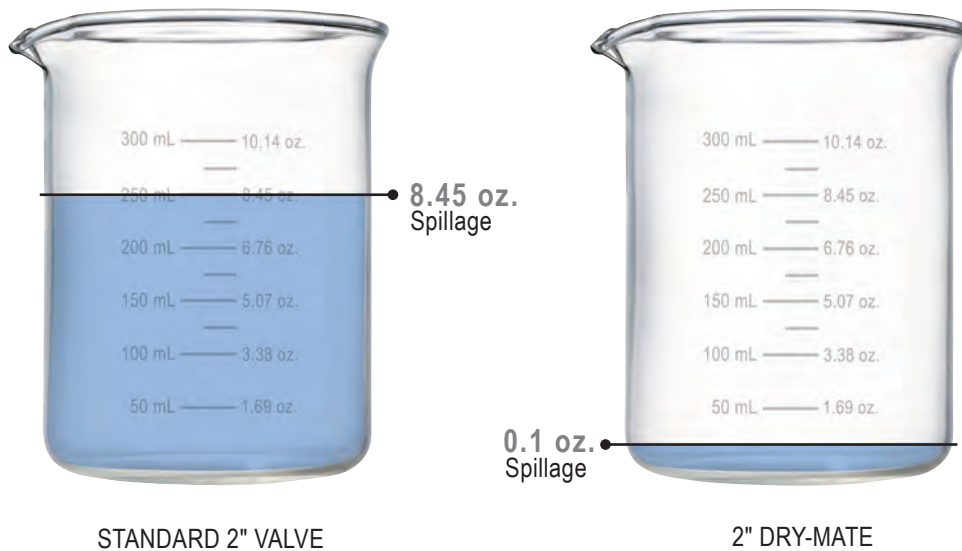
- Stainless steel bolts
- Bolt head plugs sealed ultrasonically
- Glass reinforced polypropylene
- EPDM gasket standard
- FKM gasket available



BOLTED TANK FITTINGS

| PART NO | DESCRIPTION | MAX PSI | LOT QTY |
|---------|-----------------------------------------------|---------|---------|
| MBF100 | 1" FLANGE X 1" FEMALE THREAD W/EPDM GASKET | 150 | 5 |
| MBF200 | 2" FLANGE X 2" FEMALE THREAD W/EPDM GASKET | 150 | 5 |
| MBF220 | 2" FP FLANGE X 2" FEMALE THREAD W/EPDM GASKET | 150 | 5 |
| MBF300 | 3" FLANGE X 3" FEMALE THREAD W/EPDM GASKET | 150 | 5 |

NOT YOUR TYPICAL SPILLAGE



99% SPILLAGE REDUCTION

- Reduction of typical spillage using standard 2" valve with cam lock connection vs. Dry-Mate
- 8.45 oz. (250 mL) vs. 0.1 oz. (3 mL) spillage
- At five disconnections per day, this is **over 118 gallons (450 liters) saved per year**; enough to fill the gas tanks of eight mid-size automobiles

FEATURES



SAFETY FIRST

Product is important, but the safety of your team is essential. With Dry-Mate Dry-Disconnects, leakage from disconnecting is miniscule compared to standard valves. When properly installed and operated, the danger posed by harmful chemicals contacting your team is greatly reduced.



EVERY DROP COUNTS

Your product is money. Why waste money in spilling your product every time you disconnect? With Dry-Mate, your spillage amount will be significantly reduced. At 3 mL product spillage for a 2" line, you can have peace of mind that your product is being placed where it should be and not on the ground.



PRODUCT ONLY WHERE YOU WANT IT

When a Dry-Mate is properly installed and operated, the assembly will not accidentally separate while fluid is flowing; preventing costly mishaps.



DITCH THE MAINTENANCE

All that spillage has to go somewhere. If you are collecting large areas of spillage run-off, you have to have it pumped out. Reduce your maintenance costs on your spillage pits by keeping fluids contained.

DRY DISCONNECTS

1½" POLY DRY-MATES

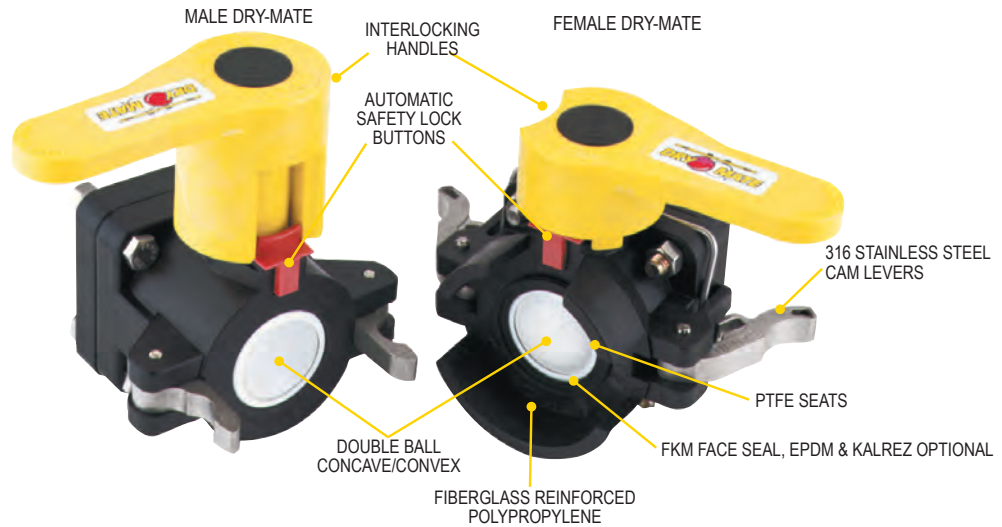
FEATURES

- Lightweight
- Easy to use
- Economical
- Reduces risk of exposure
- Wide range of chemical resistance
- Unrestricted 1½" flow
- Patented double ball design with cam lever connection
- When properly installed and operated, the assembly will not accidentally separate while fluid is flowing; preventing costly mishaps
- Spillage data: 1½" = 2ml



REPAIR KIT INCLUDES:

- Ball
- Body gasket
- Thrust washer
- Ball seats
- Upper stem bushing
- Stem o-ring

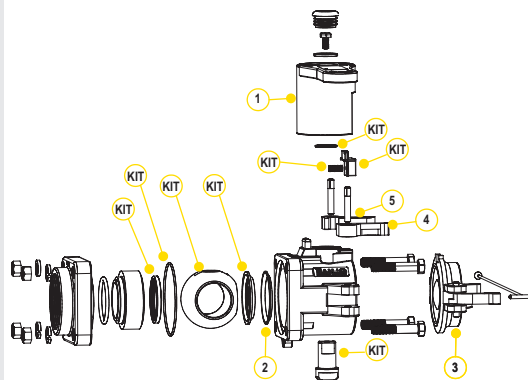


1½" POLY MALE DRY-MATE

| PART NO | DESCRIPTION | MAX PSI | PIPE SIZE | OPENING THRU BALL | QTY |
|---------|---------------------------------|---------|-----------|-------------------|-----|
| DM150A | 1½" MALE X FPT NPT W/FKM SEALS | 100 | 1½" | 1½" | 1 |
| DM150AB | 1½" MALE X FPT BSP W/FKM SEALS | 100 | 1½" | 1½" | 1 |
| DM150AE | 1½" MALE X FPT NPT W/EPDM SEALS | 100 | 1½" | 1½" | 1 |

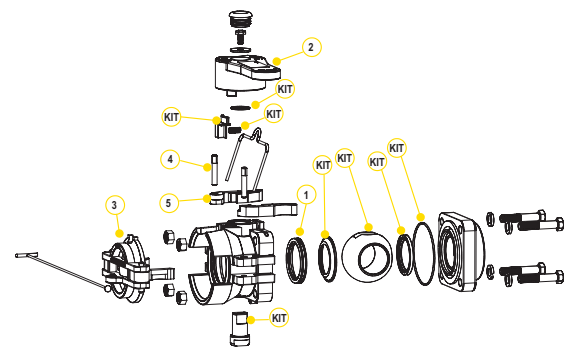
1½" POLY FEMALE DRY-MATE

| PART NO | DESCRIPTION | MAX PSI | PIPE SIZE | OPENING THRU BALL | QTY |
|---------|-----------------------------------|---------|-----------|-------------------|-----|
| DM150D | 1½" FEMALE X FPT NPT W/FKM SEALS | 100 | 1½" | 1½" | 1 |
| DM150DB | 1½" FEMALE X FPT BSP W/FKM SEALS | 100 | 1½" | 1½" | 1 |
| DM150DE | 1½" FEMALE X FPT NPT W/EPDM SEALS | 100 | 1½" | 1½" | 1 |



REPLACEMENT PARTS MALE

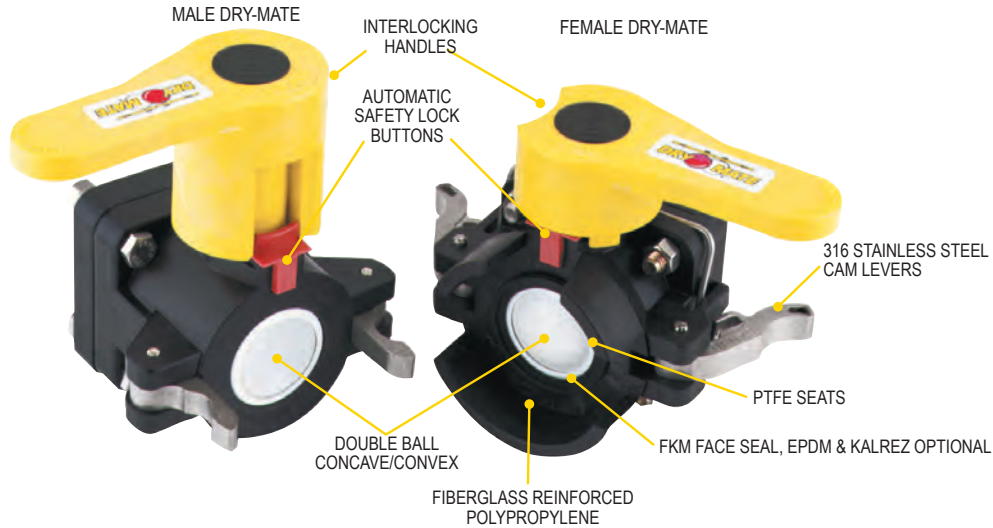
| ITEM | PART NO | DESCRIPTION | QTY |
|------|----------|-----------------------|-----|
| 1 | DM20153M | MALE HANDLE | 1 |
| 1 | DB20153M | LOW PROFILE HANDLE | 1 |
| 2 | DB20290 | FKM FACE SEAL | 1 |
| 2 | DB20295 | EPDM FACE SEAL | 1 |
| 2 | DM20296 | KALREZ® FACE SEAL | 1 |
| 3 | DM200CAP | DUST CAP | 1 |
| 4 | DM20300 | PROFILE INSERT | 2 |
| 5 | 200P | PIN | 2 |
| KIT | DM20200A | REPAIR KIT FOR DM150A | 1 |



REPLACEMENT PARTS FEMALE

| ITEM | PART NO | DESCRIPTION | QTY |
|------|----------|-----------------------|-----|
| 1 | DM20294A | FKM FACE SEAL | 1 |
| 1 | D20295A | EPDM FACE SEAL | 1 |
| 1 | DM20296 | KALREZ® FACE SEAL | 1 |
| 2 | DM20153F | FEMALE HANDLE | 1 |
| 3 | DM200PL | DUST PLUG | 1 |
| 4 | 200P | PIN | 2 |
| 5 | DM200KX | CAM ARM | 2 |
| KIT | DM20200D | REPAIR KIT FOR DM150D | 1 |

DRY DISCONNECTS



2" POLY MALE DRY-MATE

| PART NO | DESCRIPTION | MAX PSI | PIPE SIZE | OPENING THRU BALL | QTY |
|----------|-----------------------------------------|---------|-----------|-------------------|-----|
| DM200A | 2" MALE X FPT NPT W/FKM SEALS | 100 | 2" | 1½" | 1 |
| DM200AB | 2" MALE X FPT BSP W/FKM SEALS | 100 | 2" | 1½" | 1 |
| DM200AE | 2" MALE X FPT NPT W/EPDM SEALS | 100 | 2" | 1½" | 1 |
| DM200AT | 2" MALE X FPT NPT W/KALREZ® SEALS | 100 | 2" | 1½" | 1 |
| DMMT201A | 2" MALE X MALE NPT W/LOW PROFILE HANDLE | 100 | 2" | 1½" | 1 |

2" POLY FEMALE DRY-MATE

| PART NO | DESCRIPTION | MAX PSI | PIPE SIZE | OPENING THRU BALL | QTY |
|---------|-------------------------------------|---------|-----------|-------------------|-----|
| DM200D | 2" FEMALE X FPT NPT W/FKM SEALS | 100 | 2" | 1½" | 1 |
| DM200DB | 2" FEMALE X FPT BSP W/FKM SEALS | 100 | 2" | 1½" | 1 |
| DM200DE | 2" FEMALE W/EPDM SEALS | 100 | 2" | 1½" | 1 |
| DM200DT | 2" FEMALE X FPT NPT W/KALREZ® SEALS | 100 | 2" | 1½" | 1 |

2" POLY DRY-MATES

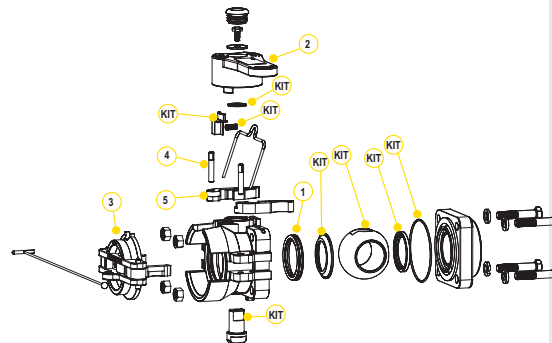
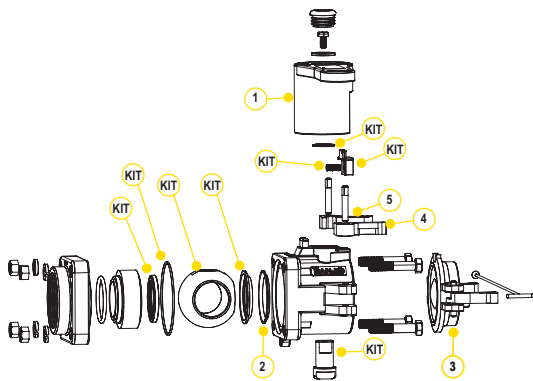
FEATURES

- Lightweight
- Easy to use
- Economical
- Reduces risk of exposure
- Wide range of chemical resistance
- Unrestricted 1½" flow
- Patented double ball design with cam lever connection
- When properly installed and operated, the assembly will not accidentally separate while fluid is flowing; preventing costly mishaps
- Spillage data: 2" = 2.6ml



REPAIR KIT INCLUDES:

- Ball
- Body gasket
- Thrust washer
- Ball seats
- Upper stem bushing
- Stem o-ring



REPLACEMENT PARTS MALE

| ITEM | PART NO | DESCRIPTION | QTY |
|------|----------|---------------------------------|-----|
| 1 | DM20153M | MALE HANDLE | 1 |
| 1 | DB20153M | LOW PROFILE HANDLE | 1 |
| 2 | DB20290 | FKM FACE SEAL | 1 |
| 2 | DB20295 | EPDM FACE SEAL | 1 |
| 2 | DM20296 | KALREZ® FACE SEAL | 1 |
| 3 | DM200CAP | DUST CAP | 1 |
| 4 | DM20300 | PROFILE INSERT | 2 |
| 5 | 200P | PIN | 2 |
| KIT | DM20200A | REPAIR KIT FOR DM200A & DM200AE | 1 |

REPLACEMENT PARTS FEMALE

| ITEM | PART NO | DESCRIPTION | QTY |
|------|----------|---------------------------------|-----|
| 1 | DM20294A | FKM FACE SEAL | 1 |
| 1 | DM20295A | EPDM FACE SEAL | 1 |
| 1 | DM20296 | KALREZ® FACE SEAL | 1 |
| 2 | DM20153F | FEMALE HANDLE | 1 |
| 3 | DM200PL | DUST PLUG | 1 |
| 4 | 200P | PIN | 2 |
| 5 | DM200KX | CAM ARM | 2 |
| KIT | DM20200D | REPAIR KIT FOR DM200D & DM200DE | 1 |

DRY DISCONNECTS

2" FULL PORT POLY DRY-MATES

FEATURES

- Lightweight
- Easy to use
- Economical
- Reduces risk of exposure
- Wide range of chemical resistance
- Unrestricted 2" flow
- Patented double ball design with cam lever connection
- When properly installed and operated, the assembly will not accidentally separate while fluid is flowing; preventing costly mishaps
- Spillage data: 2" FP = 3.6ml



REPAIR KIT INCLUDES:

- Body gasket
- Thrust washer
- Ball seats
- Upper stem bushing
- Stem o-ring
- Face seal

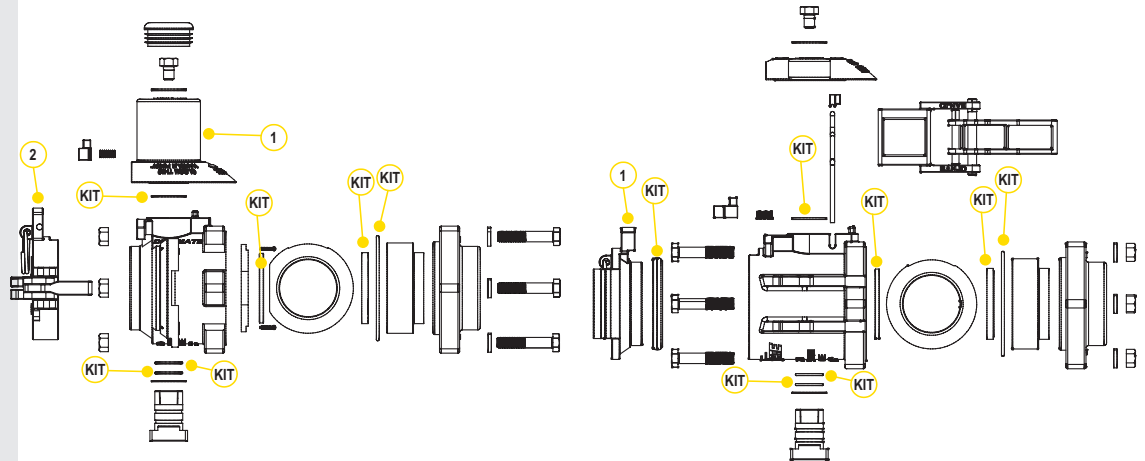


DM220D

DM220A

2" FULL PORT POLY DRY-MATES

| PART NO | DESCRIPTION | MAX PSI | PIPE SIZE | OPENING THRU BALL | QTY |
|---------|---------------------------------|---------|-----------|-------------------|-----|
| DM220D | 2" FEMALE X FPT NPT W/FKM SEALS | 225 | 2" | 2" | 1 |
| DM220A | 2" MALE X FPT W/FKM SEALS | 225 | 2" | 2" | 1 |



REPLACEMENT PARTS MALE

| ITEM | PART NO | DESCRIPTION | QTY |
|------|----------|-------------|-----|
| 1 | DM25153M | MALE HANDLE | 1 |
| 2 | DM220CAP | DUST CAP | 1 |
| KIT | DM25200 | REPAIR KIT | 1 |

REPLACEMENT PARTS FEMALE

| ITEM | PART NO | DESCRIPTION | QTY |
|------|----------|---------------|-----|
| 1 | DM25153F | FEMALE HANDLE | 1 |
| 2 | DM221PL | DUST PLUG | 1 |
| KIT | DM25200 | REPAIR KIT | 1 |

DRY DISCONNECTS

3" FULL PORT POLY DRY-MATES



DM300DFP



DM300AFP

3" FULL PORT POLY DRY-MATES

| PART NO | DESCRIPTION | MAX PSI | PIPE SIZE | OPENING THRU BALL | QTY |
|----------|---------------------------------------------------|---------|-----------|-------------------|-----|
| DM300AFP | 3" FP MALE X 3" FEMALE NPT THREADS W/ FKM SEALS | 150 | 3" | 3" | 1 |
| DM300DFP | 3" FP FEMALE X 3" FEMALE NPT THREADS W/ FKM SEALS | 150 | 3" | 3" | 1 |

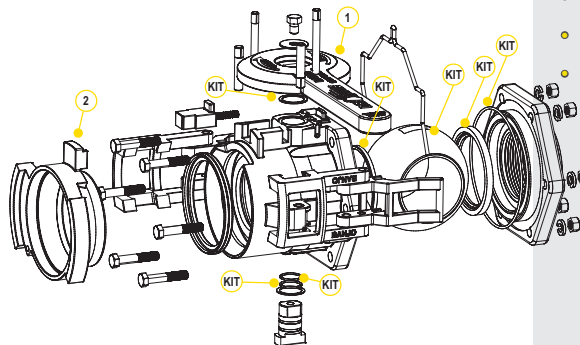
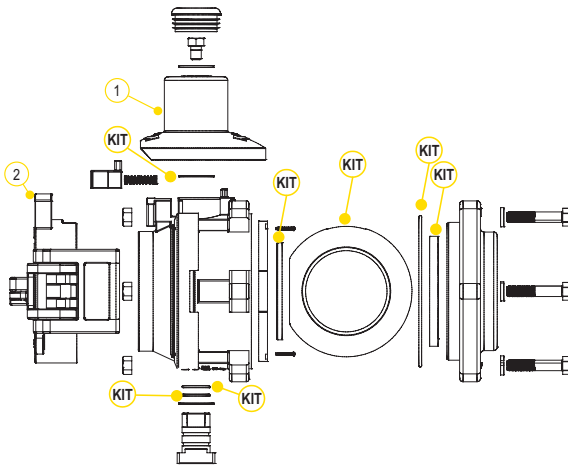
FEATURES

- Lightweight
- Easy to use
- Economical
- Reduces risk of exposure
- Wide range of chemical resistance
- Unrestricted 3" flow
- Patented double ball design with cam lever connection
- When properly installed and operated, the assembly will not accidentally separate while fluid is flowing; preventing costly mishaps
- Spillage data: 3" = 20ml



REPAIR KIT INCLUDES:

- Ball
- Body gasket
- Thrust washer
- Ball seats
- Upper stem bushing
- Stem o-ring
- Face seal



REPLACEMENT PARTS MALE

| ITEM | PART NO | DESCRIPTION | QTY |
|------|----------|-------------|-----|
| 1 | DM35153M | MALE HANDLE | 1 |
| 2 | DM300CAP | DUST CAP | 1 |
| KIT | DM35200 | REPAIR KIT | 1 |

REPLACEMENT PARTS FEMALE

| ITEM | PART NO | DESCRIPTION | QTY |
|------|----------|---------------|-----|
| 1 | DM35153F | FEMALE HANDLE | 1 |
| 2 | DM300PL | DUST PLUG | 1 |
| KIT | DM35200 | REPAIR KIT | 1 |

DRY DISCONNECTS

1" FULL PORT STAINLESS STEEL DRY-MATES

FEATURES

- 316 stainless steel construction
- Unrestricted 1" flow
- Patented double ball design with cam lever connection
- 300°F maximum operating temperature
- 100% PTFE ball seats
- When properly installed and operated, the assembly will not accidentally separate while fluid is flowing; preventing costly mishaps
- Spillage data: 1" FP = 1.7ml

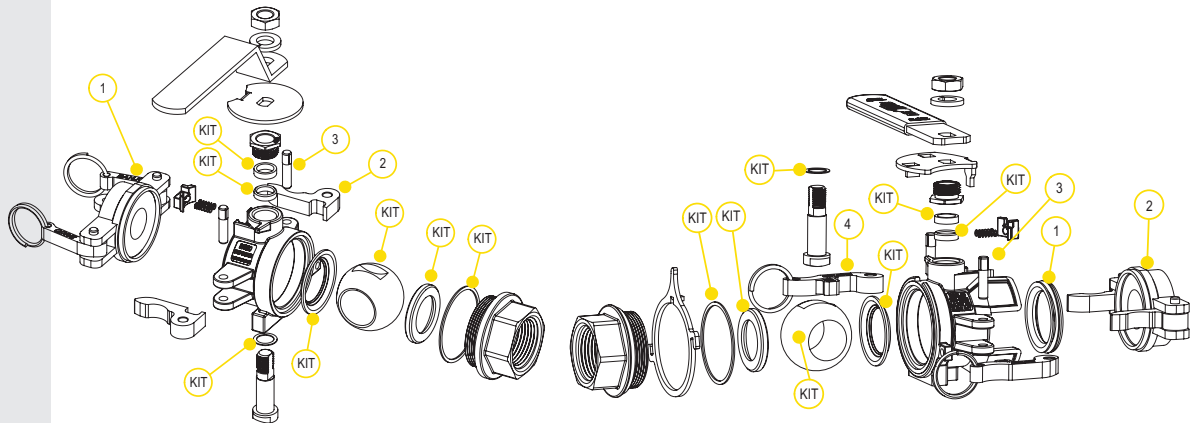


1" FULL PORT STAINLESS STEEL DRY-MATE

| PART NO | DESCRIPTION | MAX PSI | PIPE SIZE | OPENING THRU BALL | QTY |
|-----------|-----------------------------------|---------|-----------|-------------------|-----|
| DM100ASS | 1" MALE X FPT NPT W/ PTFE SEALS | 150 | 1" | 1" | 1 |
| DM100ABSS | 1" MALE X BSPP W/ PTFE SEALS | 150 | 1" | 1" | 1 |
| DM100DSS | 1" FEMALE X FPT NPT W/ FKM SEALS | 150 | 1" | 1" | 1 |
| DM100DSSE | 1" FEMALE X FPT NPT W/ EPDM SEALS | 150 | 1" | 1" | 1 |
| DM100DBSS | 1" FEMALE X BSPP W/ FKM SEALS | 150 | 1" | 1" | 1 |

REPAIR KIT INCLUDES:

- Ball
- Body gasket
- Thrust washer
- Ball seats
- Upper stem bushing
- Stem o-ring
- Face seal



REPLACEMENT PARTS MALE

| ITEM | PART NO | DESCRIPTION | QTY |
|------|----------|----------------|-----|
| 1 | DM100CAP | DUST CAP | 1 |
| 2 | DM10300 | PROFILE INSERT | 2 |
| 3 | 100P | PIN | 2 |
| KIT | DM101SS | REPAIR KIT | 1 |

REPLACEMENT PARTS FEMALE

| ITEM | PART NO | DESCRIPTION | QTY |
|------|----------|-------------------|-----|
| 1 | DM10294A | FKM FACE SEAL | 1 |
| 1 | DM10295A | EPDM FACE SEAL | 1 |
| 1 | DM10296 | KALREZ® FACE SEAL | 1 |
| 2 | DM100PL | POLY PLUG | 1 |
| 3 | 100P | PIN | 2 |
| 4 | DM100K | CAM ARM | 2 |
| KIT | DM102SSV | FKM REPAIR KIT | 1 |

DRY DISCONNECTS

1½" FULL PORT STAINLESS STEEL DRY-MATES



DM150ASS



DM150DSS

1½" FULL PORT STAINLESS STEEL DRY-MATE

| PART NO | DESCRIPTION | MAX PSI | PIPE SIZE | OPENING THRU BALL | QTY |
|-----------|------------------------------------|---------|-----------|-------------------|-----|
| DM150ASS | 1½" MALE X FPT NPT W/ PTFE SEALS | 150 | 1½" | 1½" | 1 |
| DM150ABSS | 1½" MALE X BSPP W/ PTFE SEALS | 150 | 1½" | 1½" | 1 |
| DM150DSS | 1½" FEMALE X FPT NPT W/ FKM SEALS | 150 | 1½" | 1½" | 1 |
| DM150DSSE | 1½" FEMALE X FPT NPT W/ EPDM SEALS | 150 | 1½" | 1½" | 1 |
| DM150DBSS | 1½" FEMALE X BSPP W/ FKM SEALS | 150 | 1½" | 1½" | 1 |

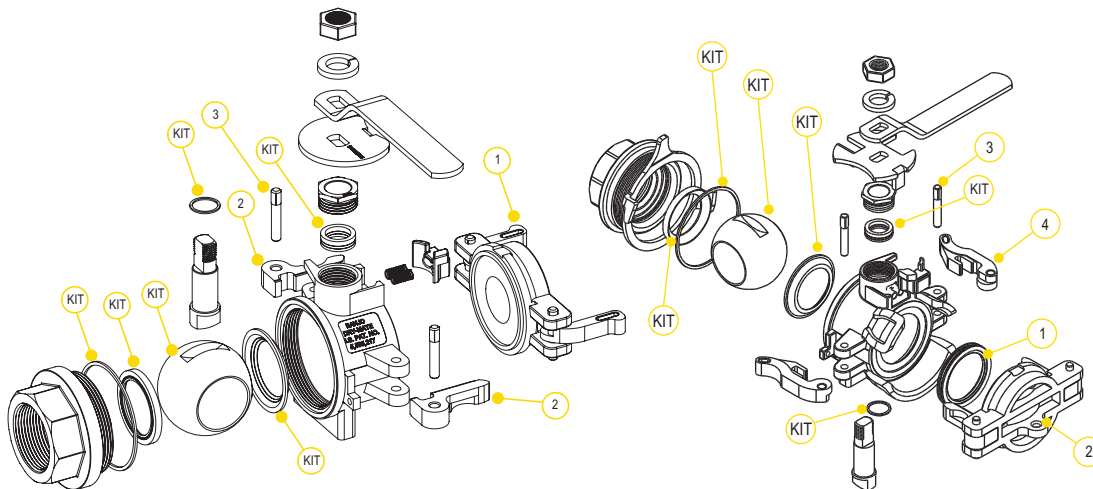
FEATURES

- 316 stainless steel construction
- Unrestricted 1½" flow
- Patented double ball design with cam lever connection
- 300°F maximum operating temperature
- 100% PTFE ball seats
- When properly installed and operated, the assembly will not accidentally separate while fluid is flowing; preventing costly mishaps
- Spillage data: 1½" FP = 3ml



REPAIR KIT INCLUDES:

- Ball
- Body gasket
- Thrust washer
- Ball seats
- Upper stem bushing
- Stem o-ring
- Face seal



REPLACEMENT PARTS MALE

| ITEM | PART NO | DESCRIPTION | QTY |
|------|-----------|----------------|-----|
| 1 | DM200ACAP | DUST CAP | 1 |
| 2 | DM20300 | PROFILE INSERT | 2 |
| 3 | 200P | PIN | 2 |
| KIT | DM201SS | REPAIR KIT | 1 |

REPLACEMENT PARTS FEMALE

| ITEM | PART NO | DESCRIPTION | QTY |
|------|----------|-------------------|-----|
| 1 | DM20294A | FKM FACE SEAL | 1 |
| 1 | DM20295A | EPDM FACE SEAL | 1 |
| 1 | DM20296 | KALREZ® FACE SEAL | 1 |
| 2 | DM200APL | DUST PLUG | 1 |
| 3 | 200P | PIN | 2 |
| 4 | DM200KX | CAM ARM | 2 |
| KIT | DM202SSV | FKM REPAIR KIT | 1 |

DRY DISCONNECTS

2" STAINLESS STEEL DRY-MATES

FEATURES

- 316 stainless steel construction
- Patented double ball design with cam lever connection
- 300°F maximum operating temperature
- 100% PTFE ball seats
- When properly installed and operated, the assembly will not accidentally separate while fluid is flowing; preventing costly mishaps
- Spillage data: 2" = 3.6ml



DM200ASS



DM200DSS

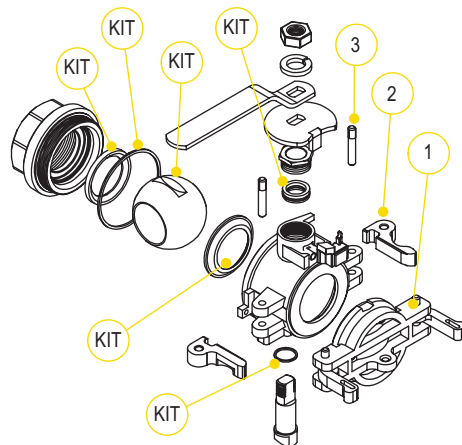
2" STANDARD PORT STAINLESS STEEL DRY-MATE

| PART NO | DESCRIPTION | MAX PSI | PIPE SIZE | OPENING THRU BALL | QTY |
|-----------|--------------------------------------|---------|-----------|-------------------|-----|
| DM200ASS | 2" MALE X FPT NPT W/ PTFE SEALS | 150 | 2" | 1½" | 1 |
| DM200ABSS | 2" MALE X BSPP W/ PTFE SEALS | 150 | 2" | 1½" | 1 |
| DM200DSS | 2" FEMALE X FPT NPT W/ FKM SEALS | 150 | 2" | 1½" | 1 |
| DM200DSST | 2" FEMALE X FPT NPT W/ KALREZ® SEALS | 150 | 2" | 1½" | 1 |
| DM200DBSS | 2" FEMALE X BSPP W/ FKM SEALS | 150 | 2" | 1½" | 1 |



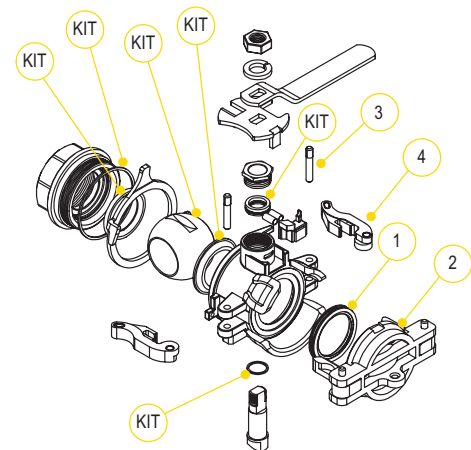
REPAIR KIT INCLUDES:

- Ball
- Body gasket
- Thrust washer
- Ball seats
- Upper stem bushing
- Stem o-ring
- Face seal



REPLACEMENT PARTS MALE

| ITEM | PART NO | DESCRIPTION | QTY |
|------|-----------|----------------|-----|
| 1 | DM200ACAP | DUST CAP | 1 |
| 2 | DM20300 | PROFILE INSERT | 2 |
| 3 | 200P | PIN | 2 |
| KIT | DM201SS | REPAIR KIT | 1 |



REPLACEMENT PARTS FEMALE

| ITEM | PART NO | DESCRIPTION | QTY |
|------|----------|-------------------|-----|
| 1 | DM20294A | FKM FACE SEAL | 1 |
| 1 | DM20295A | EPDM FACE SEAL | 1 |
| 1 | DM20296 | KALREZ® FACE SEAL | 1 |
| 2 | DM200APL | POLY PLUG | 1 |
| 3 | 200P | PIN | 2 |
| 4 | DM200KX | CAM ARM | 2 |
| KIT | DM202SSV | FKM REPAIR KIT | 1 |

DRY DISCONNECTS

2" FULL PORT STAINLESS STEEL DRY-MATES



DM220ABSS



DM220DBSS

FEATURES

- 316 stainless steel construction
- Unrestricted 2" flow
- Patented double ball design with cam lever connection
- 300°F maximum operating temperature
- 100% PTFE ball seats
- When properly installed and operated, the assembly will not accidentally separate while fluid is flowing; preventing costly mishaps
- Spillage data: 2" FP = 3.8ml

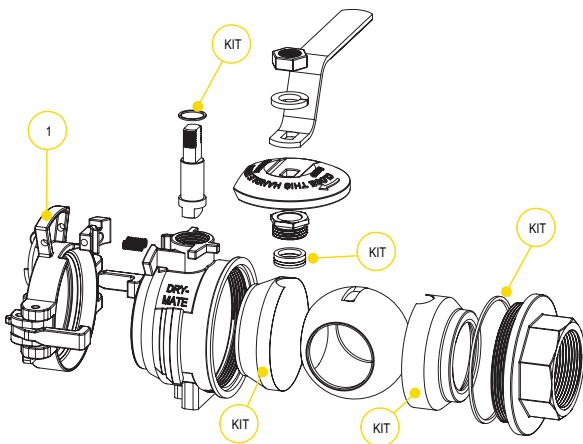
2" FULL PORT STAINLESS STEEL DRY-MATE

| PART NO | DESCRIPTION | MAX PSI | PIPE SIZE | OPENING THRU BALL | QTY |
|-----------|--------------------------------------------|---------|-----------|-------------------|-----|
| DM220ASS | 2" FULL PORT MALE X FPT NPT W/ PTFE SEALS | 300 | 2" | 2" | 1 |
| DM220ABSS | 2" FULL PORT MALE X BSPP W/ PTFE SEALS | 300 | 2" | 2" | 1 |
| DM220DSS | 2" FULL PORT FEMALE X FPT NPT W/ FKM SEALS | 300 | 2" | 2" | 1 |
| DM220DBSS | 2" FULL PORT FEMALE X BSPP W/ FKM SEALS | 300 | 2" | 2" | 1 |



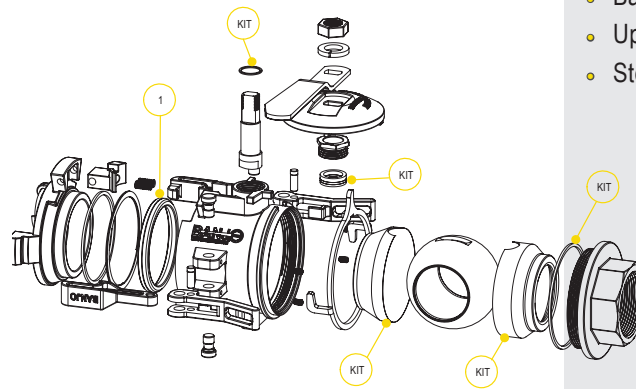
REPAIR KIT INCLUDES:

- Body gasket
- Thrust washer
- Ball seats
- Upper stem bushing
- Stem o-ring



REPLACEMENT PARTS MALE

| ITEM | PART NO | DESCRIPTION | QTY |
|------|----------|-------------|-----|
| 1 | DM220CAP | DUST CAP | 1 |
| KIT | DM221SS | REPAIR KIT | 1 |



REPLACEMENT PARTS FEMALE

| ITEM | PART NO | DESCRIPTION | QTY |
|------|----------|-------------------|-----|
| 1 | DM25294 | FKM FACE SEAL | 1 |
| 1 | DM25294T | KALREZ® FACE SEAL | 1 |
| KIT | DM222SS | REPAIR KIT | 1 |

DRY DISCONNECTS

1" POLY DRY-FITS

FEATURES

- Double poly-ball valves with integrated quick disconnect
- 1" full-port (unrestricted flow)
- Allows higher pressures & flow
- Economical and simpler design without handle locking feature
- **90+ less spillage** vs. 2 standard valves connected via a coupling



COMING 2024



1/2" POLY MALE DRY-FIT

| PART NO | DESCRIPTION | MAX PSI | PIPE SIZE | OPENING THRU BALL | QTY |
|---------|-------------------------------|---------|-----------|-------------------|-----|
| DF100A | 1" MALE X FPT NPT W/FKM SEALS | 100 | 1" | 1" | 1 |

1/2" POLY FEMALE DRY-FIT

| PART NO | DESCRIPTION | MAX PSI | PIPE SIZE | OPENING THRU BALL | QTY |
|---------|---------------------------------|---------|-----------|-------------------|-----|
| DF100D | 1" FEMALE X FPT NPT W/FKM SEALS | 100 | 1" | 1" | 1 |



DRY DISCONNECTS

DRY POPPET COUPLINGS

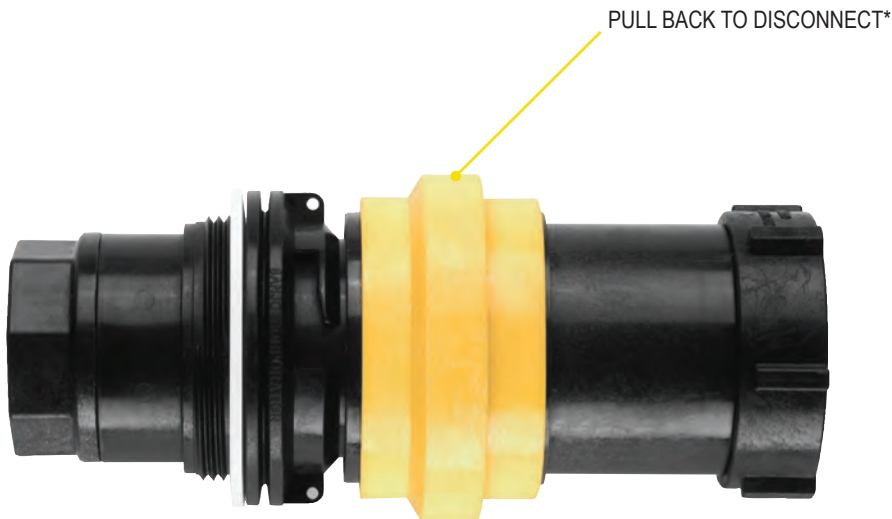


FEATURES

- Lightweight
- Minimal fluid spillage
- Easy to use
- Economical
- Reduces risk of exposure
- Wide range of chemical resistance
- Maximum operating temperature 150° F
- 30 GPM maximum flow
- Precision molded in polypropylene
- 1" female NPT threads

APPLICATIONS

- Agriculture
- Industrial
- Pharmaceutical
- Chemical processing



DRY POPPET COUPLINGS

| PART NO | DESCRIPTION | MAX PSI | QTY |
|----------|-------------------------------------------------------------------------------------|---------|-----|
| DPCF100 | FEMALE DRY POPPET COUPLER, 1" FEMALE NPT THREADS W/ FKM SEALS | 100 | 1 |
| DPCM100 | MALE DRY POPPET ADAPTER, 1" FEMALE NPT THREADS W/ FKM SEALS | 150 | 1 |
| DPCMT100 | MALE DRY POPPET ADAPTER, W/2" MALE THREADED BODY 1" FEMALE NPT THREADS W/ FKM SEALS | 150 | 1 |

***Note:** Male adapter and female coupler shown coupled together but sold separately.

IBC/TANK ACCESSORIES

SPIN WELD BALL VALVES

FEATURES

- PTFE seats
- FKM stem o-rings
- Precision molded polypropylene is reinforced with fiberglass for additional strength
- Zinc alloy collar
- FKM, EPDM and TPV collar gaskets available
- Handles close in either direction
- For faster shipping, order in box quantities



W230237



W230238



W230239



W230240



WSF210FSA



WSF210FSAV



WSMT210FSA



WSMT210FSAV

Identifying collar number found here

SPINWELD BALL VALVE

| PART NO | DESCRIPTION | GASKET MATERIAL | COLLAR FITS | COLLAR NUMBER | COLLAR ID | MAX PSI | QTY |
|-------------|-------------------------------------------------------|-----------------|-------------|---------------|-----------|---------|-----|
| W230237 | 2" POLY SPINWELD VALVE W/NPT OUTLET & CAP & FOIL SEAL | FKM | MAUSER® | V22283 C & D | 2 1/4" | 20 | 1 |
| W230238 | 2" POLY SPINWELD VALVE W/QDC OUTLET & CAP & FOIL SEAL | FKM | MAUSER® | V22283 C & D | 2 1/4" | 20 | 1 |
| W230239 | 2" POLY SPINWELD VALVE W/NPT OUTLET & CAP & FOIL SEAL | EPDM | MAUSER® | V22283 C & D | 2 1/4" | 20 | 1 |
| W230240 | 2" POLY SPINWELD VALVE W/QDC OUTLET & CAP & FOIL SEAL | EPDM | MAUSER® | V22283 C & D | 2 1/4" | 20 | 1 |
| WSF210FSA | 2" POLY SPINWELD VALVE W/QDC OUTLET, FOIL SEAL & CAP | TPV | SCHUTZ® | V20280 A & B | 2 3/4" | 50 | 1 |
| WSF210FSAV | 2" POLY SPINWELD VALVE W/QDC OUTLET, FOIL SEAL & CAP | FKM | SCHUTZ® | V20280 A & B | 2 3/4" | 50 | 1 |
| WSMT210FSA | 2" POLY SPINWELD VALVE W/NPT OUTLET, FOIL SEAL & CAP | TPV | SCHUTZ® | V20280 A & B | 2 3/4" | 225 | 1 |
| WSMT210FSAV | 2" POLY SPINWELD VALVE W/NPT OUTLET, FOIL SEAL & CAP | FKM | SCHUTZ® | V20280 A & B | 2 3/4" | 225 | 1 |

IBC/TANK ACCESSORIES

FDA UNION VALVE AND ADAPTERS



MBP200



NIP2101



UV204FPFD

FEATURES

- Precision molded in glass reinforced polypropylene for strength and chemical resistance
- PTFE seats or smooth operation and proper sealing characteristics
- Double EPDM o-rings in stem area for extra sealing protection
- Interlocking body and end plate to allow easy thread connection when installing valves

UNION VALVE AND ADAPTERS

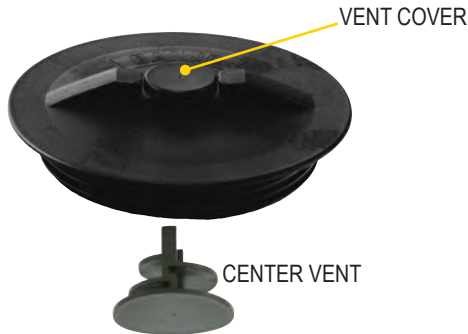
| PART NO | DESCRIPTION | MAX PSI | QTY |
|-----------|-------------------------------|---------|-----|
| MBP200 | 2" BUTTRESS X 2" NPT ASSEMBLY | 200 | 1 |
| NIP2101 | 2" NPT X BSP NIPPLE | 300 | 1 |
| UV204FPFD | 2" FDA UNION VALVE WITH EPDM | 225 | 1 |

IBC/TANK ACCESSORIES

TANK LIDS

FEATURES

- Maximum air flow through vent channels
- Airflow equivalent to a 3" hole
- No secondary venting needed
- Baffled vents
- Center vent goes in underside of lid
- NPT Threads



IBC SOLID TANK LIDS

| PART NO | DESCRIPTION | GASKET | LOT QTY |
|---------|----------------------------|--------|---------|
| TL650S | 6" SOLID TANK LID W/GASKET | TPV | 10 |

IBC TANK LID WITH UNVENTED PLUG

| PART NO | DESCRIPTION | GASKET | LOT QTY |
|---------|------------------------------------------|--------|---------|
| TL651S | 6" TANK LID W/ UNVENTED 2" PLUG W/GASKET | TPV | 10 |

IBC TANK LIDS WITH VENTED PLUG

| PART NO | DESCRIPTION | GASKET | QTY |
|---------|----------------------------------------|--------|-----|
| TL652S | 6" TANK LID W/ VENTED 2" PLUG W/GASKET | TPV | 1 |
| TL652E | 6" TANK LID VENTED 2" PLUG W/GASKET | EPDM | 1 |

TANK LID FOR SPRAY TANKS

| PART NO | DESCRIPTION | GASKET | QTY |
|---------|--------------------|--------|-----|
| TL600C | 6" VENTED TANK LID | N/A | 1 |

VENTED TANK LIDS

| PART NO | DESCRIPTION | GASKET | QTY |
|---------|-------------------------------------------------|--------|-----|
| TLVA10 | 10" VENTED TANK LID & RING ASSEMBLY (NEW STYLE) | N/A | 1 |

SIPHON TUBES

FEATURES

- Full flow size
- Long length
- Male NPT threads
- Made of polypropylene



SIPHON TUBES

| PART NO | DESCRIPTION | LOT QTY |
|---------|---------------------|---------|
| ST200 | 2" POLY SIPHON TUBE | 5 |
| ST300 | 3" POLY SIPHON TUBE | 5 |

IBC/TANK ACCESSORIES



BUTTRESS BY MALE ADAPTER

| PART NO | DESCRIPTION | GASKET | PSI | LOT QTY |
|---------|--------------------------------------------|--------|-----|---------|
| TA283 | 2" BUTTRESS X 2" MALE NPT THREADS W/GASKET | TPV | 300 | 10 |
| TA283QD | 2" BUTTRESS X 2" MALE ADAPTER QDC W GASKET | TPV | 150 | 10 |



CAPS

| PART NO | DESCRIPTION | PSI | QTY |
|---------|----------------------------|-----|-----|
| 201FPT | 2" FEMALE NPT CAP - BLACK | 20 | 1 |
| 211FPT | 2" FEMALE NPT CAP - YELLOW | N/A | 1 |



BUNG PLUGS

| PART NO | DESCRIPTION | QTY |
|---------|----------------------------------|-----|
| 231MPT | 2" MPT SOLID BUNG W/ EPDM GASKET | 1 |
| TL6531 | 2" VENTED PLUG W/ EPDM GASKET | 1 |



DUST CAPS & LANYARD

| PART NO | DESCRIPTION | PSI | LOT QTY |
|----------|--------------------------------------------|-----|---------|
| 200CAP | 2" CAM LEVER DUST CAP | 200 | 20 |
| 200CAPSH | 2" CAM LEVER DUST CAP WITH SHORT ARMS | 200 | 10 |
| 201CAPSH | 2" CAM LEVER DUST CAP W/SHORT ARMS & RINGS | N/A | 10 |
| 202CAP | 2" CAM LEVER DUST CAP | 20 | 10 |
| V20207 | 11" POLYURETHANE LANYARD | N/A | 1 |

POLYPROPYLENE ACCESSORIES

FEATURES

- Glass reinforced polypropylene

IBC/TANK ACCESSORIES

BOLTED TANK FLANGES

FEATURES

- Stainless steel bolts
- Bolt head plugs ultrasonically sealed
- Glass reinforced polypropylene
- EPDM gaskets standard and FKM available
- **WARNING:** Do not tighten tank flange bolts more than 12 ft pounds



BF150



BF300



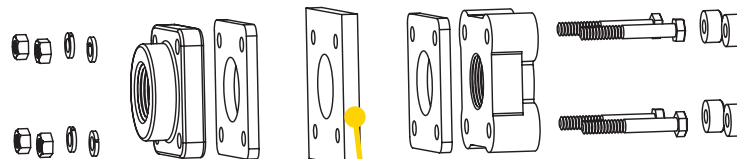
BOLTED TANK FLANGES

| PART NO | DESCRIPTION | PSI | LOT QTY |
|---------|-------------------------------------------|-----|---------|
| BF075 | 3/4" X 1" THREADED FLANGE W/EPDM GASKET | 150 | 10 |
| BF100 | 1" X 1" THREADED FLANGE W/EPDM GASKET | 150 | 10 |
| BF150 | 1 1/2" X 2" THREADED FLANGE W/EPDM GASKET | 150 | 5 |
| BF200 | 2" X 2" THREADED FLANGE W/EPDM GASKET | 150 | 10 |
| BF200V | 2" X 2" THREADED FLANGE W/FKM GASKET | 150 | 10 |
| BF220 | 2" X 2" FP THREADED FLANGE W/EPDM GASKET | 150 | 5 |
| BF300 | 3" X 3" THREADED FLANGE W/EPDM GASKET | 150 | 4 |

BOLTED TANK FLANGE GASKETS

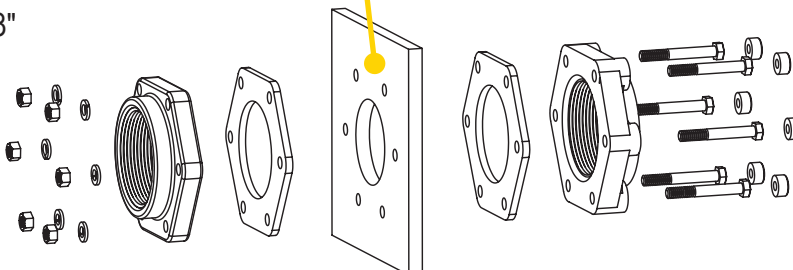
| PART NO | DESCRIPTION | PSI | QTY |
|---------|--------------------------|-----|-----|
| BF100GE | 1" EPDM GASKET | N/A | 1 |
| BF200GE | 1 1/2" & 2" EPDM GASKET | N/A | 1 |
| BF200GV | 1 1/2" & 2" FKM GASKET | N/A | 1 |
| BF220GE | 2" FULL PORT EPDM GASKET | N/A | 1 |
| BF220GV | 2" FULL PORT FKM GASKET | N/A | 1 |
| BF300GE | 3" EPDM GASKET | N/A | 1 |
| BF300GV | 3" FKM GASKET | N/A | 1 |

3/4" — 2"



Tank Wall

3"



IBC/TANK ACCESSORIES

BOLTED BOTTOM DRAIN TANK FLANGES

FEATURES

- Stainless steel bolts
- Bolt head plugs ultrasonically sealed
- Glass reinforced polypropylene
- EPDM gaskets standard and FKM available
- Allows 100% rinse free
- No sediment build up
- Excellent for avoiding herbicide cross contamination
- Fits most cone bottom and chemical inductor tanks, 30 gallons and larger.
- For faster shipping, order in box quantities



BOLTED TANK FLANGES

| PART NO | DESCRIPTION | MAX PSI | LOT QTY |
|---------|------------------------------------------------------|---------|---------|
| BF075BD | 3/4" X 1" THREADED POLY FLANGE W/ EPDM GASKET | 150 | 5 |
| BF100BD | 1" X 1" THREADED POLY FLANGE W/EPDM GASKET | 150 | 5 |
| BF150BD | 1 1/2" X 2" THREADED POLY FLANGE W/EPDM GASKET | 150 | 5 |
| BF200BD | 2" X 2" THREADED POLY FLANGE W/EPDM GASKET | 150 | 5 |
| BF220BD | 2" X 2" FULL PORT THREADED POLY FLANGE W/EPDM GASKET | 150 | 5 |
| BF300BD | 3" X 3" THREADED POLY FLANGE W/EPDM GASKET | 150 | 4 |

BOLTED TANK FLANGE GASKETS

| PART NO | DESCRIPTION | MAX PSI | QTY |
|----------|-----------------------------------------------------|---------|-----|
| BF100GE | 3/4", 1" & 1 1/4" EPDM GASKET | N/A | 1 |
| BF100GRE | 3/4", 1" & 1 1/4" FOOT EPDM GASKET | N/A | 1 |
| BF100GRV | 3/4", 1" & 1 1/4" FOOT FKM GASKET | N/A | 1 |
| BF200GE | 1 1/2" & 2" EPDM GASKET | N/A | 1 |
| BF200GV | 1 1/2" & 2" FKM GASKET | N/A | 1 |
| BF200GFV | 1 1/2" & 2" STD. PORT, 2" FULL PORT FOOT FKM GASKET | N/A | 1 |
| BF220GE | 2" FULL PORT EPDM GASKET | N/A | 1 |
| BF220GV | 2" FULL PORT FKM GASKET | N/A | 1 |
| BF300GE | 3" EPDM GASKET | N/A | 1 |
| BF300GV | 3" FKM GASKET | N/A | 1 |
| BF300GFE | 3" FOOT EPDM GASKET | N/A | 1 |
| BF300GFV | 3" FOOT FKM GASKET | N/A | 1 |

IBC/TANK ACCESSORIES

BULKHEAD TANK FITTINGS

FEATURES

- Double sided female NPT threads
- Available with EPDM or FKM gasket
- Where noted, parts must be ordered in bag quantities



POLY BULKHEAD FITTINGS

| PART NO | DESCRIPTION | HOLE SIZE | MAX PSI | LOT QTY |
|---------|-------------------------------------------------|-----------|---------|---------|
| TF050 | 1/2" POLY BULKHEAD TANK FITTING W/EPDM GASKET | 1 5/8" | 300 | 10/BAG |
| TF075 | 3/4" POLY BULKHEAD TANK FITTING W/EPDM GASKET | 1 5/8" | 300 | 10/BAG |
| TF075V | 3/4" POLY BULKHEAD TANK FITTING W/FKM GASKET | 1 5/8" | 300 | 10 |
| TF100 | 1" POLY BULKHEAD TANK FITTING W/EPDM GASKET | 2 1/4" | 300 | 10/BAG |
| TF125 | 1 1/4" POLY BULKHEAD TANK FITTING W/EPDM GASKET | 2 1/4" | 300 | 10 |
| TF150 | 1 1/2" POLY BULKHEAD TANK FITTING W/EPDM GASKET | 3" | 300 | 10 |
| TF200 | 2" POLY BULKHEAD TANK FITTING W/EPDM GASKET | 3" | 300 | 10 |
| TF200V | 2" POLY BULKHEAD TANK FITTING W/FKM GASKET | 3" | 300 | 10 |
| TF220 | 2" POLY BULKHEAD TANK FITTING W/EPDM GASKET | 3 1/4" | 300 | 10 |
| TF300 | 3" POLY BULKHEAD TANK FITTING W/EPDM GASKET | 4 1/2" | 300 | 5 |
| TF400 | 4" POLY BULKHEAD TANK FITTING W/EPDM GASKET | 5 3/4" | 225 | 5 |

316 STAINLESS STEEL BULKHEAD FITTINGS



| PART NO | DESCRIPTION | HOLE SIZE | MAX PSI | QTY |
|---------|-----------------------------------------------|-----------|---------|-----|
| TF038SS | 3/8" SS BULKHEAD TANK FITTING W/EPDM GASKET | 1" | 300 | 1 |
| TF050SS | 1/2" SS BULKHEAD TANK FITTING W/EPDM GASKET | 1 3/8" | 300 | 1 |
| TF075SS | 3/4" SS BULKHEAD TANK FITTING W/EPDM GASKET | 1 5/8" | 300 | 1 |
| TF100SS | 1" SS BULKHEAD TANK FITTING W/EPDM GASKET | 2 1/4" | 300 | 1 |
| TF125SS | 1 1/4" SS BULKHEAD TANK FITTING W/EPDM GASKET | 2 1/4" | 300 | 1 |
| TF150SS | 1 1/2" SS BULKHEAD TANK FITTING W/EPDM GASKET | 3" | 300 | 1 |
| TF200SS | 2" SS BULKHEAD TANK FITTING W/EPDM GASKET | 3" | 300 | 1 |
| TF220SS | 2" SS BULKHEAD TANK FITTING W/EPDM GASKET | 3 1/4" | 300 | 1 |
| TF300SS | 3" SS BULKHEAD TANK FITTING W/EPDM GASKET | 4 3/8" | 300 | 1 |

BULKHEAD GASKETS

| PART NO | DESCRIPTION | HOLE SIZE | FITS POLY | FITS SS | LOT QTY |
|---------|----------------------------------|-----------|---------------|-------------------|---------|
| 100G | 3/8" BULKHEAD EPDM GASKET | 1" | | TF038SS | 25 |
| 100GV | 3/8" BULKHEAD FKM GASKET | 1" | | TF038SS | 10 |
| TF100G | 1" TANK FLANGE EPDM GASKET | 2 7/32" | | TF100V | 25 |
| TF100GV | 1" TANK FLANGE FKM GASKET | 2 7/32" | | TF100V | 10 |
| TF138GV | 1/2" BULKHEAD FKM GASKET | 1 3/8" | | TF050SS | 10 |
| 150G | 1/2" & 3/4" BULKHEAD EPDM GASKET | 1 5/8" | TF050 & TF075 | TF075SS | 25 |
| 150GV | 1/2" & 3/4" BULKHEAD FKM GASKET | 1 5/8" | TF050 & TF075 | TF075SS | 10 |
| 200G | 2" BULKHEAD EPDM GASKET | 2 1/4" | TF100 & TF125 | TF100SS & TF125SS | 25 |
| 200GV | 2" BULKHEAD FKM GASKET | 2 1/4" | TF100 & TF125 | TF100SS & TF125SS | 10 |
| 300G | 1 1/2" & 2" BULKHEAD EPDM GASKET | 3" | TF200 & TF150 | TF200SS & TF150SS | 25 |
| 300GV | 1 1/2" & 2" BULKHEAD FKM GASKET | 3" | TF200 & TF150 | TF200SS & TF150SS | 10 |
| TF220G | 2" BULKHEAD EPDM GASKET | 3 1/4" | TF220 | TF220SS | 1 |
| TF300G | 3" BULKHEAD EPDM GASKET | 4 1/2" | TF300 | TF300SS | 1 |
| TF400G | 4" POLY BULKHEAD EPDM GASKET | 5 3/4" | TF400 | | 1 |
| TF400GV | 4" POLY BULKHEAD FKM GASKET | 5 3/4" | TF400 | | 1 |

IBC/TANK ACCESSORIES

ANTI VORTEX VENT CAPS



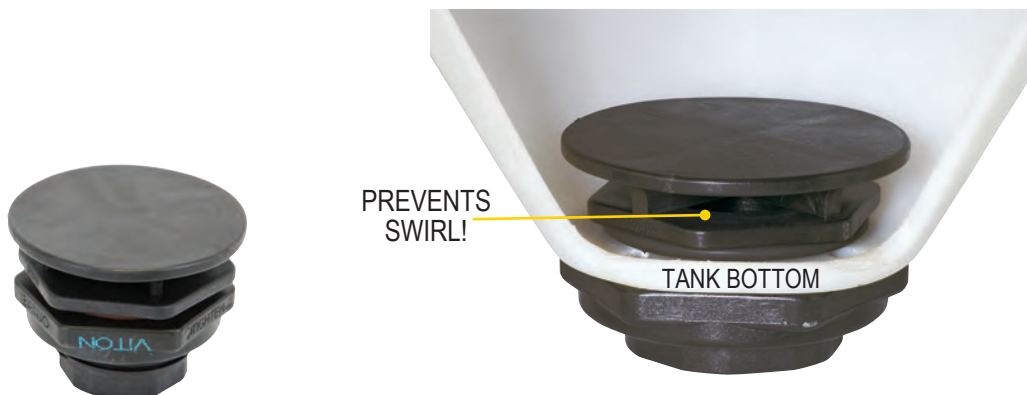
FEATURES

- Male NPT
- Glass reinforced polypropylene
- 304 stainless steel screen

ANTI VORTEX VENT CAPS

| PART NO | DESCRIPTION | BORE SIZE | BORE AREA | VENT AREA | LOT QTY |
|---------|---------------------------------------------|-----------|-----------|-----------|---------|
| VC200 | 2" ANTI VORTEX VENT CAP WITHOUT SCREEN | 2" | 3.1 SQ IN | 3.9 SQ IN | 10 |
| VC230 | 2" ANTI VORTEX VENT CAP W/12 MESH SS SCREEN | 2" | 3.1 SQ IN | 3.9 SQ IN | 10 |
| VC300 | 3" ANTI VORTEX VENT CAP WITHOUT SCREEN | 3" | 7 SQ IN | 9 SQ IN | 10 |
| VC330 | 3" ANTI VORTEX VENT CAP W/10 MESH SS SCREEN | 3" | 7 SQ IN | 9 SQ IN | 1 |

ANTI VORTEX TANK FLANGES



FEATURES

- Standard with FKM
- Prevents swirl in bottom of tank

ANTI VORTEX TANK FLANGES

| PART NO | DESCRIPTION | HOLE SIZE | QTY |
|---------|---------------------------------|-----------|-----|
| TF100AV | 1" ANTI VORTEX TANK FLANGES | 2 1/4" | 1 |
| TF125AV | 1 1/4" ANTI VORTEX TANK FLANGES | 2 1/4" | 1 |
| TF150AV | 1 1/2" ANTI VORTEX TANK FLANGES | 3" | 1 |
| TF200AV | 2" ANTI VORTEX TANK FLANGES | 3" | 1 |

IBC/TANK ACCESSORIES

ANSI FLANGES

FEATURES

- Glass reinforced polypropylene
- Heavy duty



THREADED ANSI FLANGES

| PART NO | DESCRIPTION | LOT QTY |
|---------|---------------------------------|---------|
| AF100 | 1" FEMALE THREADED ANSI FLANGE | 10/BAG |
| AF150 | 1½" FEMALE THREADED ANSI FLANGE | 10/BAG |
| AF200 | 2" FEMALE THREADED ANSI FLANGE | 10 |
| AF300 | 3" FEMALE THREADED ANSI FLANGE | 5 |
| AF400 | 4" FEMALE THREADED ANSI FLANGE | 5 |

BLIND ANSI FLANGES

| PART NO | DESCRIPTION | LOT QTY |
|---------|----------------------|---------|
| AFB200 | 2" BLIND ANSI FLANGE | 10/BAG |
| AFB300 | 3" BLIND ANSI FLANGE | 5 |

ANSI FLANGE GASKETS

| PART NO | DESCRIPTION | QTY |
|---------|-----------------------------|-----|
| AF100G | 1" ANSI FLANGE EPDM GASKET | 1 |
| AF100GV | 1" ANSI FLANGE FKM GASKET | 1 |
| AF150G | 1½" ANSI FLANGE EPDM GASKET | 1 |
| AF200G | 2" ANSI FLANGE EPDM GASKET | 1 |
| AF200GV | 2" ANSI FLANGE FKM GASKET | 1 |
| AF300G | 3" ANSI FLANGE EPDM GASKET | 1 |
| AF300GV | 3" ANSI FLANGE FKM GASKET | 1 |
| AF400G | 4" ANSI FLANGE EPDM GASKET | 1 |
| AF400GV | 4" ANSI FLANGE FKM GASKET | 1 |

CAM LEVER COUPLINGS



1/4"-4" POLYPROPYLENE

FEATURES

- Stainless steel rings, arms and pins
- Versatile — interchangeable with all types of cam lever couplings
- Precision molded — ensures a uniform and accurate fit
- Durable — polypropylene is glass reinforced for rugged strength
- Smooth operating — finger rings are designed for easy opening of cam levers
- Economical and superior in performance
- Where noted, parts must be ordered in bag quantities
- 1/4" and 1/2" series couplings interchange with 3/4" size couplings. Coupling ends are 3/4" size.
- 1 1/4" series couplings interchange with 1" size couplings. Coupling ends are 1" size.
- 1 1/2" x 1 1/4" couplings interchange with 1 1/2" size couplings. Coupling ends are 1 1/2" size.

POLYPROPYLENE CAM LEVER COUPLINGS

| ITEM | DESCRIPTION | 1/4" | 1/2" | 3/4" | 1" | 1 1/4" | 1 1/2" x 1 1/4" | 1 1/2" | 2" | 2 1/2" | 3" | 3" 3 ARMS | 4" 3 ARMS |
|-------|--------------------------------|--------|--------|--------|-----------|-----------|-----------------|--------|--------|--------|--------|-----------|-----------------|
| A | MALE ADAPTER X FEMALE THREAD | 75A1/4 | 75A1/2 | 75A3/4 | 100A | 125A | 150125A | 150A | 200A | | 300A | | 400A |
| B | FEMALE COUPLER X MALE THREAD | | 75B1/2 | 75B3/4 | 100B | 125B | 150125B | 150B | 200B | | 300B | 303B | 400B |
| C | FEMALE COUPLER X HOSE BARB | | 050C | 075C | 100C | 125C | 150125C | 150C | 200C | | 300C | 303C | 400C |
| D | FEMALE COUPLER X FEMALE THREAD | | 050D | 075D | 100D | 125D | 150125D | 150D | 200D | | 300D | | 400D |
| E | MALE ADAPTER X HOSE BARB | | 050E | 075E | 100E | 125E | 150125E | 150E | 200E | | 300E | | 400E |
| F | MALE ADAPTER X MALE THREAD | | 050F | 075F | 100F | 125F | 150125F | 150F | 200F | | 300F | | 400F |
| PL | PLUG FOR FEMALE COUPLER | | 75PL | 75PL | 100125PL | 100125PL | 150PL | 150PL | 200PL | | 300PL | | 400PL |
| CAP | CAP FOR MALE ADAPTER | | 075CAP | 075CAP | 100125CAP | 100125CAP | 150CAP | 150CAP | 200CAP | 250CAP | 300CAP | | 400CAP (2 arms) |
| CAPSH | CAP WITH SHORT ARMS | | | | | | 200CAPSH | | | | | | |

1/4" SERIES POLY CAM LEVER COUPLINGS

| PART NO | DESCRIPTION | MAX PSI | GASKET | LOT QTY |
|---------|----------------------------------------|---------|--------|---------|
| 75A1/4 | 3/4" MALE ADAPTER X 1/4" FEMALE THREAD | 300 | N/A | 10/BAG |

1/2" SERIES POLY CAM LEVER COUPLINGS

| PART NO | DESCRIPTION | MAX PSI | GASKET | LOT QTY |
|---------|------------------------------------------|---------|--------|---------|
| 75A1/2 | 3/4" MALE ADAPTER X 1/2" FEMALE THREAD | 225 | N/A | 10/BAG |
| 75B1/2 | 3/4" FEMALE COUPLER X 1/2" MALE THREAD | 300 | EPDM | 10/BAG |
| 050C | 3/4" FEMALE COUPLER X 1/2" HOSE BARB | 300 | EPDM | 10/BAG |
| 050D | 3/4" FEMALE COUPLER X 1/2" FEMALE THREAD | 300 | EPDM | 10/BAG |
| 050E | 3/4" MALE ADAPTER X 1/2" HOSE BARB | 300 | N/A | 10/BAG |
| 050F | 3/4" MALE ADAPTER X 1/2" MALE THREAD | 300 | N/A | 10/BAG |
| 075CAP | 3/4" CAP X MALE ADAPTER | 300 | EPDM | 10/BAG |
| 75PL | 3/4" PLUG X FEMALE COUPLER | 300 | N/A | 10/BAG |



WARNING! Couplings should not be disconnected under pressure or with liquid in the line.

CAM LEVER COUPLINGS

1/4"-4" POLYPROPYLENE

FEATURES

- Stainless steel rings, arms and pins
- Versatile — interchangeable with all types of cam lever couplings
- Precision molded — ensures a uniform and accurate fit
- Durable — polypropylene is glass reinforced for rugged strength
- Smooth operating — finger rings are designed for easy opening of cam levers
- Economical and superior in performance
- Standard with EPDM gaskets, FKM gaskets can be ordered separately on page 79
- Where noted, parts must be ordered in bag quantities
- 1/4", 3/8" and 1/2" series couplings interchange with 3/4" size couplings. Coupling ends are 3/4" size.
- 1 1/4" series couplings interchange with 1" size couplings. Coupling ends are 1" size.
- 1 1/2" x 1 1/4" couplings interchange with 1 1/2" size couplings. Coupling ends are 1 1/2" size.



WARNING! Couplings should not be disconnected under pressure or with liquid in the line.

3/4" SERIES POLY CAM LEVER COUPLINGS

| PART NO | DESCRIPTION | MAX PSI | GASKET | LOT QTY |
|---------|------------------------------------------|---------|--------|---------|
| 75A3/4 | 3/4" MALE ADAPTER X 3/4" FEMALE THREAD | 225 | N/A | 10/BAG |
| 75B3/4 | 3/4" FEMALE COUPLER X 3/4" MALE THREAD | 300 | EPDM | 10/BAG |
| 075C | 3/4" FEMALE COUPLER X 3/4" HOSE BARB | 300 | EPDM | 10/BAG |
| 075D | 3/4" FEMALE COUPLER X 3/4" FEMALE THREAD | 300 | EPDM | 10/BAG |
| 075E | 3/4" MALE ADAPTER X 3/4" HOSE BARB | 300 | N/A | 10/BAG |
| 075F | 3/4" MALE ADAPTER X 3/4" MALE THREAD | 300 | N/A | 10/BAG |
| 075CAP | 3/4" CAP X MALE ADAPTER | 300 | EPDM | 10/BAG |
| 75PL | 3/4" PLUG X FEMALE COUPLER | 300 | N/A | 10/BAG |

1" SERIES POLY CAM LEVER COUPLINGS

| PART NO | DESCRIPTION | MAX PSI | GASKET | LOT QTY |
|-----------|--------------------------------------|---------|--------|---------|
| 100A | 1" MALE ADAPTER X 1" FEMALE THREAD | 300 | N/A | 10/BAG |
| 100B | 1" FEMALE COUPLER X 1" MALE THREAD | 300 | EPDM | 10/BAG |
| 100C | 1" FEMALE COUPLER X 1" HOSE BARB | 300 | EPDM | 10/BAG |
| 100D | 1" FEMALE COUPLER X 1" FEMALE THREAD | 300 | EPDM | 10/BAG |
| 100E | 1" MALE ADAPTER X 1" HOSE BARB | 300 | N/A | 10/BAG |
| 100F | 1" MALE ADAPTER X 1" MALE THREAD | 300 | N/A | 10/BAG |
| 100125CAP | 1" CAP X MALE ADAPTER | 300 | EPDM | 10/BAG |
| 100125PL | 1" PLUG X FEMALE COUPLER | 300 | N/A | 10/BAG |

1 1/4" SERIES POLY CAM LEVER COUPLINGS

| PART NO | DESCRIPTION | MAX PSI | GASKET | LOT QTY |
|-----------|------------------------------------------|---------|--------|---------|
| 125A | 1" MALE ADAPTER X 1 1/4" FEMALE THREAD | 300 | N/A | 10/BAG |
| 125B | 1" FEMALE COUPLER X 1 1/4" MALE THREAD | 300 | EPDM | 10/BAG |
| 125C | 1" FEMALE COUPLER X 1 1/4" HOSE BARB | 300 | EPDM | 10/BAG |
| 125D | 1" FEMALE COUPLER X 1 1/4" FEMALE THREAD | 300 | EPDM | 10/BAG |
| 125E | 1" MALE ADAPTER X 1 1/4" HOSE BARB | 300 | N/A | 10/BAG |
| 125F | 1" MALE ADAPTER X 1 1/4" MALE THREAD | 300 | N/A | 10/BAG |
| 100125CAP | 1" CAP X MALE ADAPTER | 300 | EPDM | 10/BAG |
| 100125PL | 1" PLUG X FEMALE COUPLER | 300 | N/A | 10/BAG |

1 1/2" X 1 1/4" SERIES POLY CAM LEVER COUPLINGS

| PART NO | DESCRIPTION | MAX PSI | GASKET | LOT QTY |
|---------|----------------------------------------------|---------|--------|---------|
| 150125A | 1 1/2" MALE ADAPTER X 1 1/4" FEMALE THREAD | 225 | N/A | 10/BAG |
| 150125B | 1 1/2" FEMALE COUPLER X 1 1/4" MALE THREAD | 300 | EPDM | 10 |
| 150125C | 1 1/2" FEMALE COUPLER X 1 1/4" HOSE BARB | 300 | EPDM | 10 |
| 150125D | 1 1/2" FEMALE COUPLER X 1 1/4" FEMALE THREAD | 300 | EPDM | 10 |
| 150125E | 1 1/2" MALE ADAPTER X 1 1/4" HOSE BARB | 225 | EPDM | 10/BAG |
| 150125F | 1 1/2" MALE ADAPTER X 1 1/4" MALE THREAD | 300 | N/A | 10/BAG |
| 150CAP | 1 1/2" CAP X MALE ADAPTER | 300 | EPDM | 10 |
| 150PL | 1 1/2" PLUG X FEMALE COUPLER | 225 | N/A | 10/BAG |

1 1/2" SERIES POLY CAM LEVER COUPLINGS

| PART NO | DESCRIPTION | MAX PSI | GASKET | LOT QTY |
|---------|----------------------------------------------|---------|--------|---------|
| 150A | 1 1/2" MALE ADAPTER X 1 1/2" FEMALE THREAD | 225 | N/A | 10/BAG |
| 150B | 1 1/2" FEMALE COUPLER X 1 1/2" MALE THREAD | 300 | EPDM | 10 |
| 150C | 1 1/2" FEMALE COUPLER X 1 1/2" HOSE BARB | 300 | EPDM | 10 |
| 150D | 1 1/2" FEMALE COUPLER X 1 1/2" FEMALE THREAD | 300 | EPDM | 10 |
| 150E | 1 1/2" MALE ADAPTER X 1 1/2" HOSE BARB | 200 | N/A | 10/BAG |
| 150F | 1 1/2" MALE ADAPTER X 1 1/2" MALE THREAD | 300 | N/A | 10/BAG |
| 150CAP | 1 1/2" CAP X MALE ADAPTER | 300 | EPDM | 10 |
| 150PL | 1 1/2" PLUG X FEMALE COUPLER | 225 | N/A | 10/BAG |

CAM LEVER COUPLINGS

2" SERIES POLY CAM LEVER COUPLINGS

| PART NO | DESCRIPTION | MAX PSI | GASKET | LOT QTY |
|----------|---------------------------------------------|---------|--------|---------|
| 200A | 2" MALE ADAPTER X 2" FEMALE THREAD | 225 | N/A | 10/BAG |
| 200B | 2" FEMALE COUPLER X 2" MALE THREAD | 225 | EPDM | 20 |
| 201B | 2" FEMALE COUPLER X 2" EXTENDED MALE THREAD | 200 | EPDM | 10 |
| 200C | 2" FEMALE COUPLER X 2" HOSE BARB | 225 | EPDM | 20 |
| 200D | 2" FEMALE COUPLER X 2" FEMALE THREAD | 200 | EPDM | 20 |
| 200E | 2" MALE ADAPTER X 2" HOSE BARB | 200 | N/A | 10/BAG |
| 200F | 2" MALE ADAPTER X 2" MALE THREAD | 300 | N/A | 10/BAG |
| 200CAP | 2" CAP X MALE ADAPTER | 200 | EPDM | 20 |
| 200CAPSH | 2" CAP X MALE ADAPTER W/SHORT ARMS | 200 | EPDM | 10 |
| 200PL | 2" PLUG X FEMALE COUPLER | 225 | N/A | 10/BAG |



2" X 1½" SERIES POLY CAM LEVER COUPLINGS

| PART NO | DESCRIPTION | MAX PSI | GASKET | LOT QTY |
|---------|-----------------------------------|---------|--------|---------|
| 200150C | 2" FEMALE COUPLER X 1½" HOSE BARB | 300 | EPDM | 10 |

2½" SERIES POLY CAM LEVER COUPLINGS

| PART NO | DESCRIPTION | MAX PSI | GASKET | QTY |
|---------|------------------------|---------|--------|-----|
| 250CAP | 2½" CAP X MALE ADAPTER | 300 | EPDM | 1 |

3" SERIES POLY CAM LEVER COUPLINGS

| PART NO | DESCRIPTION | MAX PSI | GASKET | LOT QTY |
|----------|-----------------------------------------------|---------|--------|---------|
| 300A | 3" MALE ADAPTER X 3" FEMALE THREAD | 100 | N/A | 10 |
| 300B | 3" FEMALE COUPLER X 3" MALE THREAD | 150 | EPDM | 10 |
| 303B | 3" FEMALE COUPLER X 3" EXTENDED MALE THREAD | 200 | EPDM | 10 |
| 303B200A | 3" FEMALE COUPLER W/ 3 ARMS X 2" MALE ADAPTER | 200 | EPDM | 10 |
| 300C | 3" FEMALE COUPLER X 3" HOSE BARB | 200 | EPDM | 10 |
| 303C | 3" FEMALE COUPLER W/ 3 ARMS X 3" HOSE BARB | 200 | EPDM | 10 |
| 300D | 3" FEMALE COUPLER X 3" FEMALE THREAD | 200 | EPDM | 10 |
| 300E | 3" MALE ADAPTER X 3" HOSE BARB | 150 | N/A | 10 |
| 300F | 3" MALE ADAPTER X 3" MALE THREAD | 100 | N/A | 10 |
| 300CAP | 3" CAP X MALE ADAPTER | 100 | EPDM | 10 |
| 300PL | 3" PLUG X FEMALE COUPLER | 150 | N/A | 10 |



4" SERIES POLY CAM LEVER COUPLINGS

| PART NO | DESCRIPTION | MAX PSI | GASKET | LOT QTY |
|---------|--------------------------------------|---------|--------|---------|
| 400A | 4" MALE ADAPTER X 4" FEMALE THREAD | 75 | N/A | 10 |
| 400B | 4" FEMALE COUPLER X 4" MALE THREAD | 150 | EPDM | 10 |
| 400C | 4" FEMALE COUPLER X 4" HOSE BARB | 150 | EPDM | 10 |
| 400D | 4" FEMALE COUPLER X 4" FEMALE THREAD | 100 | EPDM | 10 |
| 400E | 4" MALE ADAPTER X 4" HOSE BARB | 50 | N/A | 10 |
| 400F | 4" MALE ADAPTER X 4" MALE THREAD | 75 | N/A | 10 |
| 400CAP | 4" CAP X MALE ADAPTER (W/2 ARMS) | 100 | EPDM | 10 |
| 400PL | 4" PLUG X FEMALE COUPLER | 75 | N/A | 10 |

¼"-4" POLYPROPYLENE

FEATURES

- Stainless steel rings, arms and pins
- Versatile — interchangeable with all types of cam lever couplings
- Precision molded — ensures a uniform and accurate fit
- Durable — polypropylene is glass reinforced for rugged strength
- Smooth operating — finger rings are designed for easy opening of cam levers
- Economical and superior in performance
- Where noted, parts must be ordered in bag quantities
- ¼", ⅜" and ½" series couplings interchange with ¾" size couplings. Coupling ends are ¾" size.
- 1¼" series couplings interchange with 1" size couplings. Coupling ends are 1" size.
- 1½" x 1¼" couplings interchange with 1½" size couplings. Coupling ends are 1½" size.



WARNING! Couplings should not be disconnected under pressure or with liquid in the line.

CAM LEVER COUPLINGS

1/4"-4" POLYPROPYLENE

FEATURES

- Chemical resistant to protect against corrosion
- Versatile to interchange with all types of cam lever couplings
- Smooth operation makes connections quick and easy
- Where noted, parts must be ordered in bag quantities
- Locking cam arm lever is not intended to be used as a security device or prevent unauthorized opening of coupling assembly.



WARNING! Couplings should not be disconnected under pressure or with liquid in the line.

EASY ACTION
LOCKING LEVER!



EPDM



FKM

LOCKING ARM
WITH RING



PIN

1 1/2" - 2" SERIES LOCKING POLY CAM LEVER COUPLINGS

| PART NO | DESCRIPTION | MAX PSI | GASKET | QTY |
|---------|--------------------------------------|---------|--------|-----|
| L200B | 2" FEMALE COUPLER X 2" MALE THREAD | 225 | EPDM | 1 |
| L200C | 2" FEMALE COUPLER X 2" HOSE BARB | 225 | EPDM | 1 |
| L200D | 2" FEMALE COUPLER X 2" FEMALE THREAD | 200 | EPDM | 1 |
| L200CAP | 2" CAP X MALE ADAPTER | 200 | EPDM | 1 |

SPOOL ADAPTERS

| PART NO | DESCRIPTION | MAX PSI | GASKET | LOT QTY |
|----------|-----------------------------------|---------|--------|---------|
| 200FF | 2" MALE ADAPTER X 2" MALE ADAPTER | 150 | N/A | 10/BAG |
| 300F200F | 3" MALE ADAPTER X 2" MALE ADAPTER | 75 | N/A | 10 |
| 300FF | 3" MALE ADAPTER X 3" MALE ADAPTER | 75 | N/A | 10 |

REPLACEMENT PARTS

| PART NO | DESCRIPTION | LOT QTY |
|-----------|-----------------------------------------------|---------|
| 100RING | RING FITS 3/4" & 1" | 10 |
| 150RING | RING FITS 1 1/2", 2", 3", 4" | 10 |
| 150(200)K | 1 1/2", 2" SS CAM ARM W/RING | 1 |
| 300K | 3" SS CAM ARM WITH RING | 1 |
| V20207 | 11" LANYARD | 25 |
| 75G | 1/2" & 3/4" EPDM GASKET | 25 |
| 75GV | 3/4" FKM GASKET | 10 |
| 100G | 1" & 1 1/4" EPDM GASKET | 25 |
| 100GV | 1" & 1 1/4" FKM GASKET | 10 |
| 150G | 1 1/2" EPDM GASKET | 25 |
| 150GV | 1 1/2" FKM GASKET | 10 |
| 200G | 2" EPDM GASKET | 25 |
| 200GV | 2" FKM GASKET | 10 |
| 300G | 3" EPDM GASKET | 25 |
| 300GV | 3" FKM GASKET | 10 |
| 400G | 4" EPDM GASKET | 1 |
| 200KL | 2" LOCKING CAM ARM WITH RING FITS 1 1/2" & 2" | 1 |
| 200PKL | 2" COUPLING PIN FITS 1 1/2" & 2" | 1 |
| 200P | 2" COUPLING PIN | 1 |
| 300P | 3" COUPLING PIN | 1 |

CAM LEVER COUPLINGS



A



B



C



D

1 1/2" 90° POLY CAM LEVER COUPLINGS

| PART NO | DESCRIPTION | MAX PSI | GASKET | LOT QTY |
|---------|--------------------------------------------------|---------|--------|---------|
| 150A90 | 1 1/2" 90° MALE ADAPTER X 1 1/2" FEMALE THREAD | 225 | N/A | 10/BAG |
| 150C90 | 1 1/2" 90° FEMALE COUPLER X 1 1/2" HOSE BARB | 225 | EPDM | 10 |
| 150D90 | 1 1/2" 90° FEMALE COUPLER X 1 1/2" FEMALE THREAD | 300 | EPDM | 10 |
| 150F90 | 1 1/2" 90° MALE ADAPTER X 1 1/2" MALE THREAD | 300 | N/A | 10/BAG |

2" 90° SERIES POLY CAM LEVER COUPLINGS

| PART NO | DESCRIPTION | MAX PSI | GASKET | LOT QTY |
|---------|------------------------------------------|---------|--------|---------|
| 200A90 | 2" 90° MALE ADAPTER X 2" FEMALE THREAD | 225 | N/A | 10/BAG |
| 200B90 | 2" 90° FEMALE COUPLER X 2" MALE THREAD | 225 | EPDM | 10 |
| 200C90 | 2" 90° FEMALE COUPLER X 2" HOSE BARB | 225 | EPDM | 10 |
| 200D90 | 2" 90° FEMALE COUPLER X 2" FEMALE THREAD | 200 | EPDM | 10 |
| 200F90 | 2" 90° MALE ADAPTER X 2" MALE THREAD | 225 | N/A | 10/BAG |

2" 45° POLY CAM LEVER COUPLINGS

| PART NO | DESCRIPTION | MAX PSI | GASKET | LOT QTY |
|---------|--------------------------------------|---------|--------|---------|
| 200F45 | 2" 45° MALE ADAPTER X 2" MALE THREAD | 225 | N/A | 10/BAG |



F90



F45

GARDEN HOSE FITTINGS

| PART NO | DESCRIPTION | MAX PSI | LOT QTY |
|------------|------------------------------------------------|---------|---------|
| GHFT075A | 3/4" ADAPTER X 3/4" GARDEN HOSE FEMALE THREAD | 225 | 10/BAG |
| GHMT075B | 3/4" COUPLER X 3/4" GARDEN HOSE MALE THREAD | 300 | 10/BAG |
| GHFT075D | 3/4" COUPLER X 3/4" GARDEN HOSE FEMALE THREAD | 300 | 10/BAG |
| GHMT075F | 3/4" ADAPTER X 3/4" GARDEN HOSE MALE THREAD | 300 | 10/BAG |
| GHFT075MPT | 3/4" MALE NPT X 3/4" GARDEN HOSE FEMALE THREAD | 300 | 10/BAG |
| GHMT075FPT | 3/4" FEMALE NPT X 3/4" GARDEN HOSE MALE THREAD | 300 | 10/BAG |
| GHMT075MPT | 3/4" MALE NPT X 3/4" GARDEN HOSE MALE THREAD | 300 | 10/BAG |
| GHFT075G | 3/4" GARDEN HOSE FITTING GASKET | N/A | 25 |

GARDEN HOSE NOZZLE

| PART NO | DESCRIPTION | MAX PSI | QTY |
|---------|-------------------------------|---------|-----|
| GHN075 | 3/4" GARDEN HOSE SPRAY NOZZLE | N/A | 1 |



Spray nozzle patterns

1 1/2"-2" 90° & 45° POLYPROPYLENE

FEATURES

- Precision molded in polypropylene, reinforced with fiberglass for strength
- Stainless steel rings, arms and pins resist corrosion
- 90° angle couplings and adapters will reduce the number of elbows and other pipe fittings used in plumbing applications



WARNING! Couplings should not be disconnected under pressure or with liquid in the line.

GARDEN HOSE FITTINGS & NOZZLE

- Same construction and design that farmers use for their heavy spraying applications.
- Rugged, secure quick-connect cam arms
- Heavy-duty thick wall reinforced polypropylene
- Proven, leak-free construction
- Full flow design



A

B



D

F

FEATURES

- Heavy duty machined aluminum construction stands up to hard use
- Comfort grip soft rubber
- Resists dents, mars and scratches; protects any surface that comes in contact with nozzle
- Aluminum hose connection provides a tight fit, will not rust
- Multiple spray pattern adjusts from a powerful jet stream to a gentle fan spray. Ideal for all your spraying needs.
- Stainless steel spray cap for precise spray patterns

PIPE FITTINGS

SUPER CLAMPS

FEATURES

- Stainless steel construction
- 304 stainless steel bolt with 316 stainless steel nut to prevent seizing
- 360° sealing surface
- Ideal for high torque applications
- Strong, positive connections where ordinary hose clamps fail
- T-bolt design
- 3 spot welds for extra strength
- Sold in bags of 10 only
- Torque specifications: working torque 50-80 inch pounds, maximum torque 125 inch pounds
- Please note new Min-Max Diameter measurements.



SUPER CLAMPS

| PART NO | DESCRIPTION | MIN-MAX DIAMETER | MAX TORQUE | LOT QTY |
|---------|-----------------------|------------------|------------|---------|
| TC120 | 1" T-BOLT HOSE CLAMP | 1.18"-1.34" | 75 IN-LBS | 10/BAG |
| TC130 | 1¼" T-BOLT HOSE CLAMP | 1.34"-1.50" | 75 IN-LBS | 10/BAG |
| TC150 | 1½" T-BOLT HOSE CLAMP | 1.50"-1.62" | 75 IN-LBS | 10/BAG |
| TC162 | 1¾" T-BOLT HOSE CLAMP | 1.59"-1.87" | 75 IN-LBS | 10/BAG |
| TC181 | 1½" T-BOLT HOSE CLAMP | 1.84"-2.12" | 75 IN-LBS | 10/BAG |
| TC193 | 1½" T-BOLT HOSE CLAMP | 1.90"-2.24" | 75 IN-LBS | 10/BAG |
| TC206 | 2" T-BOLT HOSE CLAMP | 2.16"-2.40" | 75 IN-LBS | 10/BAG |
| TC218 | 2" T-BOLT HOSE CLAMP | 2.18"-2.52" | 75 IN-LBS | 10/BAG |
| TC224 | 2" T-BOLT HOSE CLAMP | 2.24"-2.58" | 75 IN-LBS | 10/BAG |
| TC231 | 2" T-BOLT HOSE CLAMP | 2.31"-2.65" | 75 IN-LBS | 10/BAG |
| TC250 | 2" T-BOLT HOSE CLAMP | 2.50"-2.84" | 75 IN-LBS | 10/BAG |
| TC287 | 2" T-BOLT HOSE CLAMP | 2.87"-3.18" | 75 IN-LBS | 10/BAG |
| TC312 | 3" T-BOLT HOSE CLAMP | 3.28"-3.50" | 75 IN-LBS | 10/BAG |
| TC331 | 3" T-BOLT HOSE CLAMP | 3.31"-3.70" | 75 IN-LBS | 10/BAG |
| TC343 | 3" T-BOLT HOSE CLAMP | 3.50"-3.89" | 75 IN-LBS | 10/BAG |
| TC425 | 4" T-BOLT HOSE CLAMP | 4.25"-4.64" | 75 IN-LBS | 10/BAG |
| TC438 | 4" T-BOLT HOSE CLAMP | 4.38"-4.69" | 180 IN-LBS | 10/BAG |
| TC456 | 4" T-BOLT HOSE CLAMP | 4.56"-4.87" | 180 IN-LBS | 10/BAG |



4" PLUMBING FITTINGS

| PART NO | DESCRIPTION | LOT QTY |
|------------|-------------------------------|---------|
| M300400A | 3" Manifold x 4" Male Coupler | 1 |
| M300400BRB | 3" Manifold x 4" Hose Barb | 1 |



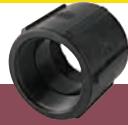
NIPPLES

| PART NO | DESCRIPTION | MAX PSI | LOT QTY |
|-----------|--------------------------|---------|---------|
| NIP025-SH | 1/4" SHORT POLY NIPPLE | 300 | 10/BAG |
| NIP038-SH | 3/8" SHORT POLY NIPPLE | 300 | 10/BAG |
| NIP050-SH | 1/2" SHORT POLY NIPPLE | 300 | 10/BAG |
| NIP050-3 | 1/2" X 3" POLY NIPPLE | 300 | 10/BAG |
| NIP075-SH | 3/4" SHORT POLY NIPPLE | 300 | 10/BAG |
| NIP075-4 | 3/4" X 4" POLY NIPPLE | 300 | 10/BAG |
| NIP075-6 | 3/4" X 6" POLY NIPPLE | 300 | 10/BAG |
| NIP100-SH | 1" SHORT POLY NIPPLE | 300 | 10/BAG |
| NIP100-4 | 1" X 4" POLY NIPPLE | 300 | 10/BAG |
| NIP100-6 | 1" X 6" POLY NIPPLE | 300 | 10/BAG |
| NIP125-SH | 1 1/4" SHORT POLY NIPPLE | 300 | 10/BAG |
| NIP125-4 | 1 1/4" X 4" POLY NIPPLE | 300 | 10/BAG |
| NIP125-6 | 1 1/4" X 6" POLY NIPPLE | 300 | 10/BAG |
| NIP150-SH | 1 1/2" SHORT POLY NIPPLE | 300 | 10/BAG |
| NIP150-3 | 1 1/2" X 3" POLY NIPPLE | 300 | 10/BAG |
| NIP150-4 | 1 1/2" X 4" POLY NIPPLE | 300 | 10/BAG |
| NIP150-5 | 1 1/2" X 5" POLY NIPPLE | 300 | 10/BAG |
| NIP150-6 | 1 1/2" X 6" POLY NIPPLE | 300 | 10/BAG |
| NIP200-SH | 2" SHORT POLY NIPPLE | 300 | 10/BAG |
| NIP200-4 | 2" X 4" POLY NIPPLE | 300 | 10/BAG |
| NIP200-6 | 2" X 6" POLY NIPPLE | 300 | 10/BAG |
| NIP300-SH | 3" SHORT POLY NIPPLE | 300 | 10/BAG |
| NIP300-4 | 3" X 4" POLY NIPPLE | 300 | 10/BAG |
| NIP300-6 | 3" X 6" POLY NIPPLE | 300 | 10 |



REDUCING NIPPLES

| PART NO | DESCRIPTION | MAX PSI | LOT QTY |
|-----------|--------------------------------------|---------|---------|
| RN050-038 | 1/2" X 3/8" POLY REDUCING NIPPLE | 300 | 10/BAG |
| RN075-050 | 3/4" X 1/2" POLY REDUCING NIPPLE | 300 | 10/BAG |
| RN100-050 | 1" X 1/2" POLY REDUCING NIPPLE | 300 | 10/BAG |
| RN100-075 | 1" X 3/4" POLY REDUCING NIPPLE | 300 | 10/BAG |
| RN125-075 | 1 1/4" X 3/4" POLY REDUCING NIPPLE | 300 | 10/BAG |
| RN125-100 | 1 1/4" X 1" POLY REDUCING NIPPLE | 300 | 10/BAG |
| RN150-100 | 1 1/2" X 1" POLY REDUCING NIPPLE | 300 | 10/BAG |
| RN150-125 | 1 1/2" X 1 1/4" POLY REDUCING NIPPLE | 300 | 10/BAG |
| RN200-125 | 2" X 1 1/4" POLY REDUCING NIPPLE | 300 | 10/BAG |
| RN200-150 | 2" X 1 1/2" POLY REDUCING NIPPLE | 300 | 10/BAG |
| RN300-200 | 3" X 2" POLY REDUCING NIPPLE | 300 | 10/BAG |



PIPE COUPLINGS

| PART NO | DESCRIPTION | MAX PSI | LOT QTY |
|---------|---------------------------|---------|---------|
| CPLG025 | 1/4" POLY PIPE COUPLING | 300 | 10/BAG |
| CPLG038 | 3/8" POLY PIPE COUPLING | 300 | 10/BAG |
| CPLG050 | 1/2" POLY PIPE COUPLING | 300 | 10/BAG |
| CPLG075 | 3/4" POLY PIPE COUPLING | 300 | 10/BAG |
| CPLG100 | 1" POLY PIPE COUPLING | 300 | 10/BAG |
| CPLG125 | 1 1/4" POLY PIPE COUPLING | 300 | 10/BAG |
| CPLG150 | 1 1/2" POLY PIPE COUPLING | 300 | 10/BAG |
| CPLG200 | 2" POLY PIPE COUPLING | 300 | 10/BAG |
| CPLG300 | 3" POLY PIPE COUPLING | 225 | 5 |



REDUCING COUPLINGS

| PART NO | DESCRIPTION | MAX PSI | LOT QTY |
|-----------|----------------------------------------|---------|---------|
| RC100-075 | 1" X 3/4" POLY REDUCING COUPLING | 300 | 10/BAG |
| RC150-100 | 1 1/2" X 1" POLY REDUCING COUPLING | 300 | 10/BAG |
| RC150-125 | 1 1/2" X 1 1/4" POLY REDUCING COUPLING | 300 | 10/BAG |
| RC200-050 | 2" X 1/2" POLY REDUCING COUPLING | 300 | 10/BAG |
| RC200-100 | 2" X 1" POLY REDUCING COUPLING | 300 | 10/BAG |
| RC200-125 | 2" X 1 1/4" POLY REDUCING COUPLING | 300 | 10/BAG |
| RC200-150 | 2" X 1 1/2" POLY REDUCING COUPLING | 300 | 10/BAG |
| RC300-200 | 3" X 2" POLY REDUCING COUPLING | 300 | 5 |

REDUCING BUSHINGS

| PART NO | DESCRIPTION | MAX PSI | LOT QTY |
|-----------|------------------------------------------|---------|---------|
| RB038-025 | 3/8" MPT X 1/4" FPT REDUCING BUSHING | 300 | 10/BAG |
| RB050-018 | 1/2" MPT X 1/8" FPT REDUCING BUSHING | 300 | 10/BAG |
| RB050-025 | 1/2" MPT X 1/4" FPT REDUCING BUSHING | 300 | 10/BAG |
| RB050-038 | 1/2" MPT X 3/8" FPT REDUCING BUSHING | 300 | 10/BAG |
| RB075-025 | 3/4" MPT X 1/4" FPT REDUCING BUSHING | 300 | 10/BAG |
| RB075-038 | 3/4" MPT X 3/8" FPT REDUCING BUSHING | 300 | 10/BAG |
| RB075-050 | 3/4" MPT X 1/2" FPT REDUCING BUSHING | 300 | 10/BAG |
| RB100-018 | 1" MPT X 1/8" FPT REDUCING BUSHING | 300 | 10/BAG |
| RB100-025 | 1" MPT X 1/4" FPT REDUCING BUSHING | 300 | 10/BAG |
| RB100-050 | 1" MPT X 1/2" FPT REDUCING BUSHING | 300 | 10/BAG |
| RB100-075 | 1" MPT X 3/4" FPT REDUCING BUSHING | 300 | 10/BAG |
| RB125-038 | 1" MPT X 3/8" FPT REDUCING BUSHING | 300 | 10/BAG |
| RB125-075 | 1 1/4" MPT X 3/4" FPT REDUCING BUSHING | 300 | 10/BAG |
| RB125-100 | 1 1/4" MPT X 1" FPT REDUCING BUSHING | 300 | 10/BAG |
| RB150-075 | 1 1/2" MPT X 3/4" FPT REDUCING BUSHING | 300 | 10/BAG |
| RB150-100 | 1 1/2" MPT X 1" FPT REDUCING BUSHING | 300 | 10/BAG |
| RB150-125 | 1 1/2" MPT X 1 1/4" FPT REDUCING BUSHING | 300 | 10/BAG |
| RB200-075 | 2" MPT X 3/4" FPT REDUCING BUSHING | 300 | 10/BAG |
| RB200-100 | 2" MPT X 1" FPT REDUCING BUSHING | 300 | 10/BAG |
| RB200-125 | 2" MPT X 1 1/4" FPT REDUCING BUSHING | 300 | 10/BAG |
| RB200-150 | 2" MPT X 1 1/2" FPT REDUCING BUSHING | 300 | 10/BAG |
| RB300-150 | 3" MPT X 1 1/2" FPT REDUCING BUSHING | 300 | 10 |
| RB300-200 | 3" MPT X 2" FPT REDUCING BUSHING | 300 | 10/BAG |
| RB400-300 | 4" MPT X 3" FPT REDUCING BUSHING | 300 | 5 |

PIPE FITTINGS

FEATURES

- Glass reinforced polypropylene
- Heavy duty (Schedule 80)
- Lightweight with excellent strength
- NPT threads
- Excellent chemical resistance
- Where noted, parts must be ordered in bag quantities



PIPE FITTINGS

PIPE FITTINGS

FEATURES

- Glass reinforced polypropylene
- Heavy duty (Schedule 80)
- Lightweight with excellent strength
- NPT threads
- Excellent chemical resistance
- Where noted, parts must be ordered in bag quantities



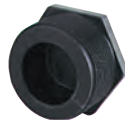
PIPE CAPS

| PART NO | DESCRIPTION | MAX PSI | LOT QTY |
|---------|----------------------|---------|---------|
| CAP038 | 3/8" POLY PIPE CAP | 300 | 10/BAG |
| CAP050 | 1/2" POLY PIPE CAP | 300 | 10/BAG |
| CAP075 | 3/4" POLY PIPE CAP | 300 | 10/BAG |
| CAP100 | 1" POLY PIPE CAP | 300 | 10/BAG |
| CAP125 | 1 1/4" POLY PIPE CAP | 300 | 10/BAG |
| CAP150 | 1 1/2" POLY PIPE CAP | 300 | 10/BAG |
| CAP200 | 2" POLY PIPE CAP | 300 | 10/BAG |
| CAP300 | 3" POLY PIPE CAP | 300 | 5 |



CROSSES

| PART NO | DESCRIPTION | MAX PSI | LOT QTY |
|---------|-------------------|---------|---------|
| CR025 | 1/4" POLY CROSS | 300 | 10/BAG |
| CR038 | 3/8" POLY CROSS | 300 | 10/BAG |
| CR050 | 1/2" POLY CROSS | 300 | 10/BAG |
| CR075 | 3/4" POLY CROSS | 300 | 10/BAG |
| CR100 | 1" POLY CROSS | 300 | 10/BAG |
| CR125 | 1 1/4" POLY CROSS | 300 | 10/BAG |
| CR150 | 1 1/2" POLY CROSS | 300 | 10 |
| CR200 | 2" POLY CROSS | 300 | 10 |



PIPE PLUGS

| PART NO | DESCRIPTION | MAX PSI | LOT QTY |
|---------|-----------------------|---------|---------|
| PLUG025 | 1/4" POLY PIPE PLUG | 300 | 10/BAG |
| PLUG038 | 3/8" POLY PIPE PLUG | 300 | 10/BAG |
| PLUG050 | 1/2" POLY PIPE PLUG | 300 | 10/BAG |
| PLUG075 | 3/4" POLY PIPE PLUG | 300 | 10/BAG |
| PLUG100 | 1" POLY PIPE PLUG | 300 | 10/BAG |
| PLUG125 | 1 1/4" POLY PIPE PLUG | 300 | 10/BAG |
| PLUG150 | 1 1/2" POLY PIPE PLUG | 300 | 10/BAG |
| PLUG200 | 2" POLY PIPE PLUG | 300 | 10/BAG |
| PLUG300 | 3" POLY PIPE PLUG | 300 | 10 |



TEES

| PART NO | DESCRIPTION | MAX PSI | LOT QTY |
|---------|-----------------|---------|---------|
| TEE025 | 1/4" POLY TEE | 300 | 10/BAG |
| TEE038 | 3/8" POLY TEE | 300 | 10/BAG |
| TEE050 | 1/2" POLY TEE | 300 | 10/BAG |
| TEE075 | 3/4" POLY TEE | 300 | 10/BAG |
| TEE100 | 1" POLY TEE | 300 | 10/BAG |
| TEE125 | 1 1/4" POLY TEE | 300 | 10/BAG |
| TEE150 | 1 1/2" POLY TEE | 300 | 10/BAG |
| TEE200 | 2" POLY TEE | 300 | 10 |
| TEE300 | 3" POLY TEE | 225 | 10 |



HOSE BARB CROSS

| PART NO | DESCRIPTION | MAX PSI | LOT QTY |
|-----------|-----------------------------|---------|---------|
| HBC050075 | 1/2" X 3/4" HOSE BARB CROSS | 300 | 10/BAG |



GAUGE PORT TEE

| PART NO | DESCRIPTION | MAX PSI | LOT QTY |
|---------|-------------------------------------|---------|---------|
| TEG075 | 3/4" POLY TEE W/ 1/4" FEMALE THREAD | 300 | 10/BAG |
| TEG100 | 1" POLY TEE W/ 1/4" FEMALE THREAD | 300 | 10/BAG |

PIPE FITTINGS



| 90° ELBOWS | | | |
|------------|-----------------------|---------|---------|
| PART NO | DESCRIPTION | MAX PSI | LOT QTY |
| EL025-90 | 1/4" 90° POLY ELBOW | 300 | 10/BAG |
| EL038-90 | 3/8" 90° POLY ELBOW | 300 | 10/BAG |
| EL050-90 | 1/2" 90° POLY ELBOW | 300 | 10/BAG |
| EL075-90 | 3/4" 90° POLY ELBOW | 300 | 10/BAG |
| EL100-90 | 1" 90° POLY ELBOW | 300 | 10/BAG |
| EL125-90 | 1 1/4" 90° POLY ELBOW | 300 | 10/BAG |
| EL150-90 | 1 1/2" 90° POLY ELBOW | 300 | 10/BAG |
| EL200-90 | 2" 90° POLY ELBOW | 300 | 10/BAG |
| EL300-90 | 3" 90° POLY ELBOW | 300 | 10 |



| 45° STREET ELBOWS | | | |
|-------------------|------------------------------|---------|---------|
| PART NO | DESCRIPTION | MAX PSI | LOT QTY |
| SL075-45 | 3/4" 45° POLY STREET ELBOW | 300 | 10/BAG |
| SL100-45 | 1" 45° POLY STREET ELBOW | 300 | 10/BAG |
| SL125-45 | 1 1/4" 45° POLY STREET ELBOW | 300 | 10/BAG |
| SL150-45 | 1 1/2" 45° POLY STREET ELBOW | 300 | 10/BAG |
| SL200-45 | 2" 45° POLY STREET ELBOW | 225 | 10/BAG |
| SL300-45 | 3" 45° POLY STREET ELBOW | 300 | 5 |

FEATURES

- Glass reinforced polypropylene
- Heavy duty (Schedule 80)
- Lightweight with excellent strength
- NPT threads
- Excellent chemical resistance
- Where noted, parts must be ordered in bag quantities



| 45° ELBOW | | | |
|-----------|-------------------|---------|---------|
| PART NO | DESCRIPTION | MAX PSI | LOT QTY |
| EL100-45 | 1" 45° POLY ELBOW | 300 | 10/BAG |



| 90° HOSE BARB ELBOW | | | |
|---------------------|--------------------------------------|---------|---------|
| PART NO | DESCRIPTION | MAX PSI | LOT QTY |
| HBB20012590 | 2" X 1 1/4" 90° POLY HOSE BARB ELBOW | 300 | 10/BAG |



| 90° STREET ELBOWS | | | |
|-------------------|------------------------------|---------|---------|
| PART NO | DESCRIPTION | MAX PSI | LOT QTY |
| SL025-90 | 1/4" 90° POLY STREET ELBOW | 300 | 10/BAG |
| SL038-90 | 3/8" 90° POLY STREET ELBOW | 300 | 10/BAG |
| SL050-90 | 1/2" 90° POLY STREET ELBOW | 300 | 10/BAG |
| SL075-90 | 3/4" 90° POLY STREET ELBOW | 300 | 10/BAG |
| SL100-90 | 1" 90° POLY STREET ELBOW | 300 | 10/BAG |
| SL125-90 | 1 1/4" 90° POLY STREET ELBOW | 300 | 10/BAG |
| SL150-90 | 1 1/2" 90° POLY STREET ELBOW | 300 | 10/BAG |
| SL200-90 | 2" 90° POLY STREET ELBOW | 300 | 10/BAG |
| SL300-90 | 3" 90° POLY STREET ELBOW | 300 | 10 |



| 90° HOSE BARB ELBOW | | | |
|---------------------|--------------------------------------|---------|---------|
| PART NO | DESCRIPTION | MAX PSI | LOT QTY |
| HBEL100-90 | 1" 90° POLY HOSE BARB ELBOW | 300 | 10/BAG |
| HBEL150/100-90 | 1 1/2" X 1" 90° POLY HOSE BARB ELBOW | 300 | 10/BAG |

PIPE FITTINGS

HOSE BARBS

FEATURES

- Glass reinforced polypropylene
- Heavy duty (Schedule 80)
- Lightweight with excellent strength
- NPT threads
- Excellent chemical resistance
- Where noted, parts must be ordered in bag quantities



STRAIGHT HOSE BARBS

| PART NO | DESCRIPTION | MAX PSI | LOT QTY |
|-----------|---------------------------------------|---------|---------|
| HB025 | 1/4" MALE THREAD X 1/4" HOSE BARB | 300 | 10/BAG |
| HB025-038 | 1/4" MALE THREAD X 3/8" HOSE BARB | 300 | 10/BAG |
| HB025-050 | 1/4" MALE THREAD X 1/2" HOSE BARB | 300 | 10/BAG |
| HB038 | 3/8" MALE THREAD X 3/8" HOSE BARB | 300 | 10/BAG |
| HB038-025 | 3/8" MALE THREAD X 1/4" HOSE BARB | 300 | 10/BAG |
| HB038-050 | 3/8" MALE THREAD X 1/2" HOSE BARB | 300 | 10/BAG |
| HB050-025 | 1/2" MALE THREAD X 1/4" HOSE BARB | 300 | 10/BAG |
| HB050-038 | 1/2" MALE THREAD X 3/8" HOSE BARB | 300 | 10/BAG |
| HB050 | 1/2" MALE THREAD X 1/2" HOSE BARB | 300 | 10/BAG |
| HB050-075 | 1/2" MALE THREAD X 3/4" HOSE BARB | 300 | 10/BAG |
| HB075-038 | 3/4" MALE THREAD X 3/8" HOSE BARB | 300 | 10/BAG |
| HB075-050 | 3/4" MALE THREAD X 1/2" HOSE BARB | 300 | 10/BAG |
| HB075-058 | 3/4" MALE THREAD X 5/8" HOSE BARB | 300 | 10/BAG |
| HB075 | 3/4" MALE THREAD X 3/4" HOSE BARB | 300 | 10/BAG |
| HB075-100 | 3/4" MALE THREAD X 1" HOSE BARB | 300 | 10/BAG |
| HB100-075 | 1" MALE THREAD X 3/4" HOSE BARB | 300 | 10/BAG |
| HB100 | 1" MALE THREAD X 1" HOSE BARB | 300 | 10/BAG |
| HB100-125 | 1" MALE THREAD X 1 1/4" HOSE BARB | 300 | 10/BAG |
| HB125-075 | 1 1/4" MALE THREAD X 3/4" HOSE BARB | 300 | 10/BAG |
| HB125-100 | 1 1/4" MALE THREAD X 1" HOSE BARB | 300 | 10/BAG |
| HB125 | 1 1/4" MALE THREAD X 1 1/4" HOSE BARB | 300 | 10/BAG |
| HB125-150 | 1 1/4" MALE THREAD X 1 1/2" HOSE BARB | 300 | 10/BAG |
| HB150-100 | 1 1/2" MALE THREAD X 1" HOSE BARB | 300 | 10/BAG |
| HB150-125 | 1 1/2" MALE THREAD X 1 1/4" HOSE BARB | 300 | 10/BAG |
| HB150 | 1 1/2" MALE THREAD X 1 1/2" HOSE BARB | 300 | 10/BAG |
| HB150-200 | 1 1/2" MALE THREAD X 2" HOSE BARB | 300 | 10/BAG |
| HB200-150 | 2" MALE THREAD X 1 1/2" HOSE BARB | 300 | 10/BAG |
| HB200 | 2" MALE THREAD X 2" HOSE BARB | 300 | 10/BAG |
| HB300 | 3" MALE THREAD X 3" HOSE BARB | 225 | 10 |
| HB400 | 4" MALE THREAD X 4" HOSE BARB | 150 | 1 |

90° HOSE BARBS

| PART NO | DESCRIPTION | MAX PSI | LOT QTY |
|--------------|-------------------------------------------|---------|---------|
| HB025-90 | 1/4" MALE THREAD X 1/4" 90° HOSE BARB | 300 | 10/BAG |
| HB025/038-90 | 1/4" MALE THREAD X 3/8" 90° HOSE BARB | 300 | 10/BAG |
| HB025/050-90 | 1/4" MALE THREAD X 1/2" 90° HOSE BARB | 300 | 10/BAG |
| HB038-90 | 3/8" MALE THREAD X 3/8" 90° HOSE BARB | 300 | 10/BAG |
| HB050/038-90 | 1/2" MALE THREAD X 3/8" 90° HOSE BARB | 300 | 10/BAG |
| HB050-90 | 1/2" MALE THREAD X 1/2" 90° HOSE BARB | 300 | 10/BAG |
| HB050/075-90 | 1/2" MALE THREAD X 3/4" 90° HOSE BARB | 300 | 10/BAG |
| HB075/050-90 | 3/4" MALE THREAD X 1/2" 90° HOSE BARB | 300 | 10/BAG |
| HB075-90 | 3/4" MALE THREAD X 3/4" 90° HOSE BARB | 300 | 10/BAG |
| HB075/100-90 | 3/4" MALE THREAD X 1" 90° HOSE BARB | 300 | 10/BAG |
| HB100/075-90 | 1" MALE THREAD X 3/4" 90° HOSE BARB | 300 | 10/BAG |
| HB100-90 | 1" MALE THREAD X 1" 90° HOSE BARB | 300 | 10/BAG |
| HB100/125-90 | 1" MALE THREAD X 1 1/4" 90° HOSE BARB | 300 | 10/BAG |
| HB125/100-90 | 1 1/4" MALE THREAD X 1" 90° HOSE BARB | 300 | 10/BAG |
| HB125-90 | 1 1/4" MALE THREAD X 1 1/4" 90° HOSE BARB | 300 | 10/BAG |
| HB125/150-90 | 1 1/4" MALE THREAD X 1 1/2" 90° HOSE BARB | 300 | 10/BAG |
| HB150/125-90 | 1 1/2" MALE THREAD X 1 1/4" 90° HOSE BARB | 300 | 10/BAG |
| HB150-90 | 1 1/2" MALE THREAD X 1 1/2" 90° HOSE BARB | 300 | 10/BAG |
| HB200/150-90 | 2" MALE THREAD X 1 1/2" 90° HOSE BARB | 300 | 10/BAG |
| HB200-90 | 2" MALE THREAD X 2" 90° HOSE BARB | 300 | 10/BAG |
| HB300-90 | 3" MALE THREAD X 3" 90° HOSE BARB | 225 | 10 |



316 STAINLESS STEEL HOSE BARBS

| PART NO | DESCRIPTION | MAX PSI | LOT QTY |
|-------------|---------------------------------------|---------|---------|
| HB025SS | 1/4" MALE THREAD X 1/4" HOSE BARB | 300 | 10 |
| HB025-038SS | 1/4" MALE THREAD X 3/8" HOSE BARB | 300 | 10 |
| HB025-050SS | 1/4" MALE THREAD X 1/2" HOSE BARB | 300 | 10 |
| HB038SS | 3/8" MALE THREAD X 3/8" HOSE BARB | 300 | 10 |
| HB038-050SS | 3/8" MALE THREAD X 1/2" HOSE BARB | 300 | 10 |
| HB050SS | 1/2" MALE THREAD X 1/2" HOSE BARB | 300 | 10 |
| HB050-058SS | 1/2" MALE THREAD X 5/8" HOSE BARB | 300 | 1 |
| HB050-075SS | 1/2" MALE THREAD X 3/4" HOSE BARB | 300 | 10 |
| HB075-050SS | 3/4" MALE THREAD X 1/2" HOSE BARB | 300 | 10 |
| HB075SS | 3/4" MALE THREAD X 3/4" HOSE BARB | 300 | 10 |
| HB075-100SS | 3/4" MALE THREAD X 1" HOSE BARB | 300 | 1 |
| HB100-075SS | 1" MALE THREAD X 3/4" HOSE BARB | 300 | 1 |
| HB100SS | 1" MALE THREAD X 1" HOSE BARB | 300 | 10 |
| HB125SS | 1 1/4" MALE THREAD X 1 1/4" HOSE BARB | 300 | 1 |
| HB150SS | 1 1/2" MALE THREAD X 1 1/2" HOSE BARB | 300 | 10 |
| HB200SS | 2" MALE THREAD X 2" HOSE BARB | 300 | 1 |
| HB300SS | 3" MALE THREAD X 3" HOSE BARB | 300 | 1 |



FEMALE HOSE BARBS

| PART NO | DESCRIPTION | MAX PSI | LOT QTY |
|------------|-----------------------------------------|---------|---------|
| HBF075 | 3/4" FEMALE THREAD X 3/4" HOSE BARB | 300 | 10/BAG |
| HBF075-90 | 3/4" FEMALE THREAD X 3/4" 90° HOSE BARB | 300 | 10/BAG |
| HBF075-100 | 3/4" FEMALE THREAD X 1" HOSE BARB | 300 | 10/BAG |
| HBF100 | 1" FEMALE THREAD X 1" HOSE BARB | 300 | 10/BAG |
| HBF100-90 | 1" FEMALE THREAD X 1" 90° HOSE BARB | 300 | 10/BAG |

PIPE FITTINGS



HOSE BARB TEES

| PART NO | DESCRIPTION | MAX PSI | LOT QTY |
|------------|----------------------------------|---------|---------|
| HBT025 | 1/4" HOSE BARB TEE | 300 | 10/BAG |
| HBT038 | 3/8" HOSE BARB TEE | 300 | 10/BAG |
| HBT050 | 1/2" HOSE BARB TEE | 300 | 10/BAG |
| HBT050-038 | 1/2" X 3/8" HOSE BARB TEE | 300 | 10/BAG |
| HBT050-075 | 1/2" X 1/2" X 3/4" HOSE BARB TEE | 300 | 10/BAG |
| HBT075-050 | 3/4" X 3/4" X 1/2" HOSE BARB TEE | 300 | 10/BAG |
| HBT075 | 3/4" HOSE BARB TEE | 300 | 10/BAG |
| HBT075-100 | 3/4" X 3/4" X 1" HOSE BARB TEE | 300 | 10/BAG |
| HBT100-075 | 1" X 1" X 3/4" HOSE BARB TEE | 300 | 10/BAG |
| HBT100 | 1" HOSE BARB TEE | 300 | 10/BAG |
| HBT200 | 2" HOSE BARB TEE | 300 | 10 |
| HBT300 | 3" HOSE BARB TEE | 300 | 1 |



HOSE BARB THREADED TEES

| PART NO | DESCRIPTION | MAX PSI | LOT QTY |
|------------|------------------------------------------------------------------------|---------|---------|
| HBT100-100 | 1" HOSE BARB X 1" HOSE BARB X 1" MALE THREAD HOSE BARB TEE | 300 | 10/BAG |
| HBT150-100 | 1 1/2" HOSE BARB X 1 1/2" HOSE BARB X 1" MALE THREAD HOSE BARB TEE | 300 | 10/BAG |
| HBT150-150 | 1 1/2" HOSE BARB X 1 1/2" HOSE BARB X 1 1/2" MALE THREAD HOSE BARB TEE | 300 | 10/BAG |



SS HOSE BARB THREADED TEES

| PART NO | DESCRIPTION | MAX PSI | QTY |
|--------------|------------------------------------------------------|---------|-----|
| HBT075-050SS | 3/4" HOSE BARB X 3/4" HOSE BARB X 1/2" HOSE BARB TEE | N/A | 1 |



HOSE MENDERS

| PART NO | DESCRIPTION | MAX PSI | LOT QTY |
|---------|---------------------------|---------|---------|
| HM038 | 3/8" X 3/8" HOSE BARB | 300 | 10/BAG |
| HM050 | 1/2" X 1/2" HOSE BARB | 300 | 10/BAG |
| HM075 | 3/4" X 3/4" HOSE BARB | 300 | 10/BAG |
| HM100 | 1" X 1" HOSE BARB | 300 | 10/BAG |
| HM125 | 1 1/4" X 1 1/4" HOSE BARB | 300 | 10/BAG |
| HM150 | 1 1/2" X 1 1/2" HOSE BARB | 300 | 10/BAG |
| HM200 | 2" X 2" HOSE BARB | 300 | 10/BAG |
| HM300 | 3" X 3" HOSE BARB | 300 | 10 |



SWIVELS

| PART NO | DESCRIPTION | MAX PSI | LOT QTY |
|---------|------------------------------------------------|---------|---------|
| SW100 | 1" MALE X 1" FEMALE SWIVEL | 300 | 10 |
| SW150 | 1 1/2" MALE X 1 1/2" FEMALE SWIVEL | 300 | 1 |
| SW220 | 2" FULL PORT MALE X 2" FULL PORT FEMALE SWIVEL | 150 | 1 |



8 STATION MANIFOLD

| PART NO | DESCRIPTION | MAX PSI | QTY |
|-----------|--------------------------------------------------------------|---------|-----|
| TM075/050 | 8 STATION MANIFOLD 3/4" INLET X 1/2" OUTLET. 1/4" GAUGE PORT | 225 | 1 |

PIPE FITTINGS

FEATURES

- Glass reinforced polypropylene
- Heavy duty (Schedule 80)
- Lightweight with excellent strength
- NPT threads
- Excellent chemical resistance
- Where noted, parts must be ordered in bag quantities

Recommended procedure for sealing pipe threads:

We DO NOT recommend using pipe tape. Pipe tape enlarges the outside diameter of the male thread and may cause the female thread to split. We recommend using a pipe thread sealant. Use on clean tapered threads. Apply a thick even coat on male threads using brush applicator. For pipe diameters smaller than 1 1/4" apply to male threads only. For 1 1/4" and larger sizes apply to both male and female threads. Avoid applying excessive amounts. Hand tighten joints and then torque another 1/2 to 3/4 turn until threads seal.



PIPE SEALANT

| PART NO | DESCRIPTION | LOT QTY |
|---------|-----------------------------------------------------|---------|
| RS21 | RECTORSEAL® NO. 21™ (8 OZ W/ BRUSH IN CAP-24/CASE) | 1 |
| RSTB | RECTORSEAL® TRU-BLU™ (8 OZ W/ BRUSH IN CAP-24/CASE) | 24 |

PIPE SEALANT

FEATURES

- RectorSeal® No. 21™ is slow drying, soft set multi-purpose sealant designed for use where black is preferred. 8 oz can with brush in the cap. Conforms to TT-S-1732.
- RectorSeal® Tru-Blu™ is fast drying, flexible set designed for high vibration environments. Teflon™ has been added to enhance thread lubrication during assembly and break out. Conforms to TT-S-1732.

*DuPont Registered Trademark



LINE STRAINERS

MINI T STRAINERS

FEATURES

- Heavy duty glass reinforced polypropylene
- Clear bowl made of polycarbonate
- Black bowl made of polypropylene
- Polypropylene ribbed 316 stainless steel screens
- EPDM gaskets
- Convenient color coded screens for easy mesh size identification (Refer to chart on next page)



MINI T STRAINERS W/CLEAR BOWLS

| PART NO | DESCRIPTION | MAX PSI | QTY |
|-------------|--------------------------------------------------|---------|-----|
| LSTM050-30C | 1/2" X 1/2" CLEAR BOWL STRAINER W/30 MESH SCREEN | 100 | 1 |
| LSTM050-50C | 1/2" X 1/2" CLEAR BOWL STRAINER W/50 MESH SCREEN | 100 | 1 |
| LSTM050-80C | 1/2" X 1/2" CLEAR BOWL STRAINER W/80 MESH SCREEN | 100 | 1 |
| LSTM075-30C | 3/4" X 3/4" CLEAR BOWL STRAINER W/30 MESH SCREEN | 100 | 1 |
| LSTM075-50C | 3/4" X 3/4" CLEAR BOWL STRAINER W/50 MESH SCREEN | 100 | 1 |
| LSTM075-80C | 3/4" X 3/4" CLEAR BOWL STRAINER W/80 MESH SCREEN | 100 | 1 |

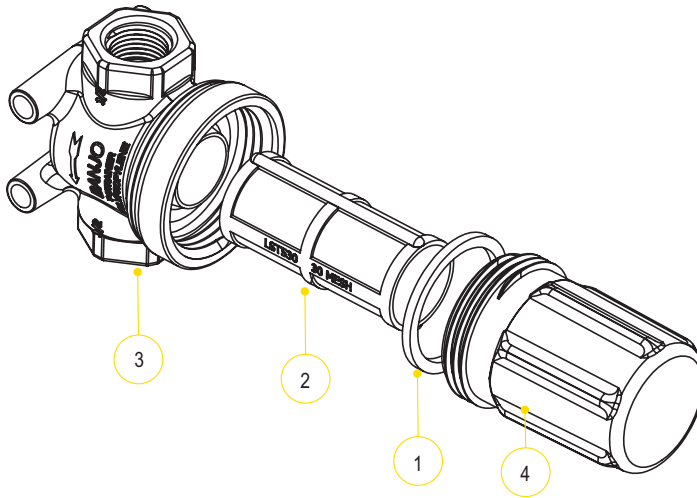


MINI T STRAINERS W/BLACK BOWLS

| PART NO | DESCRIPTION | MAX PSI | QTY |
|------------|--------------------------------------------------|---------|-----|
| LSTM050-30 | 1/2" X 1/2" BLACK BOWL STRAINER W/30 MESH SCREEN | 200 | 1 |
| LSTM050-50 | 1/2" X 1/2" BLACK BOWL STRAINER W/50 MESH SCREEN | 200 | 1 |
| LSTM050-80 | 1/2" X 1/2" BLACK BOWL STRAINER W/80 MESH SCREEN | 200 | 1 |
| LSTM075-30 | 3/4" X 3/4" BLACK BOWL STRAINER W/30 MESH SCREEN | 200 | 1 |
| LSTM075-50 | 3/4" X 3/4" BLACK BOWL STRAINER W/50 MESH SCREEN | 200 | 1 |
| LSTM075-80 | 3/4" X 3/4" BLACK BOWL STRAINER W/80 MESH SCREEN | 200 | 1 |

LINE STRAINERS

MINI T STRAINERS



SCREENS

| MESH SIZE | RIB COLOR |
|-----------|---------------|
| 30 MESH | FLAME RED |
| 50 MESH | GENTIAN BLUE |
| 80 MESH | ZINC YELLOW |
| 100 MESH | TRAFFIC GREEN |

REPLACEMENT PARTS

| ITEM | PART NO | DESCRIPTION | QTY |
|------|-----------|--------------------|-----|
| 1 | LSTM050G | EPDM GASKET | 1 |
| 2 | LST530 | 30 MESH SCREEN | 1 |
| 2 | LST550 | 50 MESH SCREEN | 1 |
| 2 | LST580 | 80 MESH SCREEN | 1 |
| 2 | LST5100 | 100 MESH SCREEN | 1 |
| 3 | LSTM050H | 1/2" STRAINER HEAD | 1 |
| 3 | LSTM075H | 3/4" STRAINER HEAD | 1 |
| 4 | LSTM050BC | CLEAR BOWL | 1 |
| 4 | LSTM050B | BLACK BOWL | 1 |

STANDARD MESHERS & DATA

| | 30 MESH | 50 MESH | 80 MESH | 100 MESH |
|---------------|---------|---------|---------|----------|
| MICRONS | 595 | 297 | 177 | 149 |
| WIRE DIAMETER | .012 | .009 | .0055 | .0045 |
| OPENING | .021 | .011 | .007 | .005 |
| % OPEN AREA | 40.8 | 30.3 | 31.4 | 30.3 |

LINE STRAINERS

3/4"-1 1/2" T STRAINERS

FEATURES

- Heavy duty glass reinforced polypropylene
- Clean out plug
- Polypropylene ribbed 316 stainless steel screens
- EPDM gaskets standard, FKM available
- Convenient color coded screens for easy mesh size identification (Refer to chart on next page)



3/4"-1" T STRAINERS

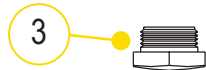
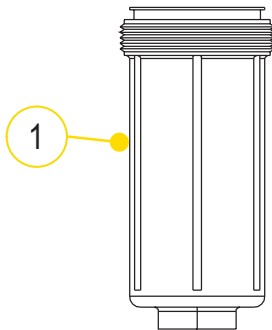
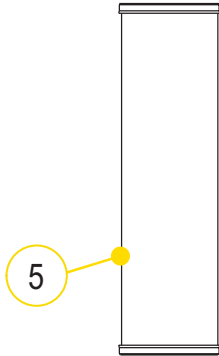
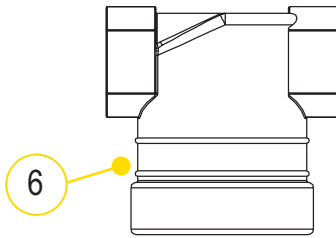
| PART NO | DESCRIPTION | MAX PSI | QTY |
|------------|------------------------------------------------|---------|-----|
| LST075-16 | 3/4" X 3/4" FP T STRAINER W/16 MESH SS SCREEN | 300 | 1 |
| LST075-30 | 3/4" X 3/4" FP T STRAINER W/30 MESH SS SCREEN | 300 | 1 |
| LST075-50 | 3/4" X 3/4" FP T STRAINER W/50 MESH SS SCREEN | 300 | 1 |
| LST075-80 | 3/4" X 3/4" FP T STRAINER W/80 MESH SS SCREEN | 300 | 1 |
| LST075-100 | 3/4" X 3/4" FP T STRAINER W/100 MESH SS SCREEN | 300 | 1 |
| LST100-16 | 1" X 1" T STRAINER W/16 MESH SS SCREEN | 300 | 1 |
| LST100-30 | 1" X 1" T STRAINER W/30 MESH SS SCREEN | 300 | 1 |
| LST100-50 | 1" X 1" T STRAINER W/50 MESH SS SCREEN | 300 | 1 |
| LST100-80 | 1" X 1" T STRAINER W/80 MESH SS SCREEN | 300 | 1 |
| LST100-100 | 1" X 1" T STRAINER W/100 MESH SS SCREEN | 300 | 1 |

1 1/4"-1 1/2" T STRAINERS

| PART NO | DESCRIPTION | MAX PSI | QTY |
|------------|---------------------------------------------------|---------|-----|
| LST125-16 | 1 1/4" X 1 1/4" FP T STRAINER W/16 MESH SS SCREEN | 300 | 1 |
| LST125-30 | 1 1/4" X 1 1/4" FP T STRAINER W/30 MESH SS SCREEN | 300 | 1 |
| LST125-50 | 1 1/4" X 1 1/4" FP T STRAINER W/50 MESH SS SCREEN | 300 | 1 |
| LST125-80 | 1 1/4" X 1 1/4" FP T STRAINER W/80 MESH SS SCREEN | 300 | 1 |
| LST150-30 | 1 1/2" X 1 1/2" T STRAINER W/30 MESH SS SCREEN | 300 | 1 |
| LST150-50 | 1 1/2" X 1 1/2" T STRAINER W/50 MESH SS SCREEN | 300 | 1 |
| LST150-80 | 1 1/2" X 1 1/2" T STRAINER W/80 MESH SS SCREEN | 300 | 1 |
| LST150-100 | 1 1/2" X 1 1/2" T STRAINER W/100 MESH SS SCREEN | 300 | 1 |

LINE STRAINERS

3/4"-1 1/2" T STRAINERS



REPLACEMENT PARTS

| ITEM | PART NO | DESCRIPTION | QTY |
|------|-----------|--------------------------------------|-----|
| 1 | LST100-B | 3/4" & 1" BOWL (CONTAINS #1, #3, #4) | 1 |
| 2 | LST100-G | 3/4" & 1" EPDM GASKET | 1 |
| 2 | LST100-GV | 3/4" & 1" FKM GASKET | 1 |
| 3 | 12777 | 1/2" PLUG | 1 |
| 4 | UV15163 | EPDM O-RING FOR CLEAN OUT PLUG | 1 |
| 5 | LST116 | 16 MESH SCREEN | 1 |
| 5 | LST130 | 30 MESH SCREEN | 1 |
| 5 | LST150 | 50 MESH SCREEN | 1 |
| 5 | LST180 | 80 MESH SCREEN | 1 |
| 5 | LST1100 | 100 MESH SCREEN | 1 |
| 6 | LST075-H | 3/4" STRAINER HEAD | 1 |
| 6 | LST100-H | 1" STRAINER HEAD | 1 |
| N/S | LST075-HB | 3/4" STRAINER HEAD, BOWL & GASKET | 1 |
| N/S | LST100-HB | 1" STRAINER HEAD, BOWL & GASKET | 1 |

REPLACEMENT PARTS

| ITEM | PART NO | DESCRIPTION | QTY |
|------|-----------|--------------------------------------------|-----|
| 1 | LST150-B | 1 1/4" & 1 1/2" BOWL (CONTAINS #1, #3, #4) | 1 |
| 2 | LST150-G | 1 1/4" & 1 1/2" EPDM GASKET | 1 |
| 2 | LST150-GV | 1 1/4" & 1 1/2" FKM GASKET | 1 |
| 3 | LSQ200-PL | 1" CLEAN OUT PLUG | 1 |
| 4 | LSQ200-R | EPDM O-RING FOR CLEAN OUT PLUG | 1 |
| 5 | LST1516 | 16 MESH SCREEN | 1 |
| 5 | LST1530 | 30 MESH SCREEN | 1 |
| 5 | LST1550 | 50 MESH SCREEN | 1 |
| 5 | LST1580 | 80 MESH SCREEN | 1 |
| 5 | LST15100 | 100 MESH SCREEN | 1 |
| 6 | N/A | 1 1/4" STRAINER HEAD | 1 |
| N/S | LST125-HB | 1 1/4" STRAINER HEAD, BOWL & GASKET | 1 |
| N/S | LST150-HB | 1 1/2" STRAINER HEAD, BOWL & GASKET | 1 |

STANDARD MESHERS & DATA

| | 16 MESH | 30 MESH | 50 MESH | 80 MESH | 100 MESH |
|---------------|---------|---------|---------|---------|----------|
| MICRONS | 1190 | 595 | 297 | 177 | 149 |
| WIRE DIAMETER | .018 | .012 | .009 | .0055 | .0045 |
| OPENING | .044 | .021 | .011 | .007 | .005 |
| % OPEN AREA | 50.7 | 40.8 | 30.3 | 31.4 | 30.3 |

SCREENS

| MESH SIZE | RIB COLOR |
|-----------|---------------|
| 16 MESH | BROWN RED |
| 30 MESH | FLAME RED |
| 50 MESH | GENTIAN BLUE |
| 80 MESH | ZINC YELLOW |
| 100 MESH | TRAFFIC GREEN |

LINE STRAINERS

2" T STRAINERS POLY/STAINLESS COMBO

FEATURES

- Heavy duty glass reinforced polypropylene bowl
- 316 stainless steel head
- Clean out plug
- 316 stainless steel screens
- FKM gaskets



2" T STRAINERS POLY/SS COMBO

| PART NO | DESCRIPTION | MAX PSI | QTY |
|-------------|-----------------------------------------------------------|---------|-----|
| LST200-10SS | 2" X 2" T STRAINER (SS HEAD & POLY BODY) W/10 MESH SCREEN | 300 | 1 |
| LST200-50SS | 2" X 2" T STRAINER (SS HEAD & POLY BODY) W/50 MESH SCREEN | 300 | 1 |

LSQ STRAINERS

FEATURES

- Precision molded in glass reinforced polypropylene
- Cam lever configuration for easy access for cleaning and servicing
- 3/4" plug in cam lever cap for attaching ball valve for draining or back flushing
- Poly ribbed 316 stainless steel screen
- EPDM lathe cut gasket
- For faster shipping, order in box quantities
- Convenient color coded screens for easy mesh size identification (Refer to chart on next page)



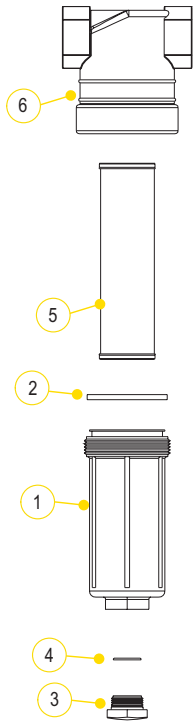
1 1/2" LSQ STRAINERS

| PART NO | DESCRIPTION | MAX PSI | LOT QTY |
|------------|---------------------------------------|---------|---------|
| LSQ150-B/C | 1 1/2" X 1 1/2" LSQ STRAINER BODY/CAP | N/A | 1 |

2" LSQ STRAINERS

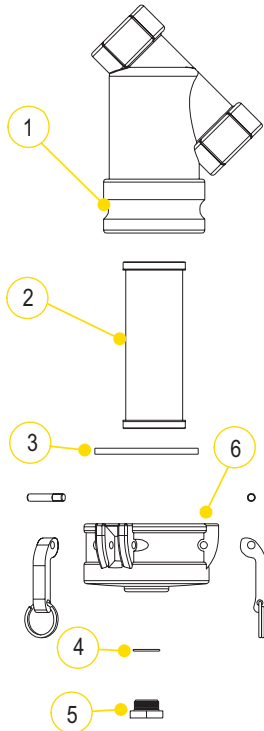
| PART NO | DESCRIPTION | MAX PSI | LOT QTY |
|-----------|---------------------------------------|---------|---------|
| LSQ200-06 | 2" X 2" LSQ STRAINER W/6 MESH SCREEN | 100 | 6/BOX |
| LSQ200-20 | 2" X 2" LSQ STRAINER W/20 MESH SCREEN | 100 | 6/BOX |
| LSQ200-30 | 2" X 2" LSQ STRAINER W/30 MESH SCREEN | 100 | 6/BOX |
| LSQ200-50 | 2" X 2" LSQ STRAINER W/50 MESH SCREEN | 100 | 6/BOX |
| LSQ200-80 | 2" X 2" LSQ STRAINER W/80 MESH SCREEN | 100 | 6/BOX |

LINE STRAINERS



| REPLACEMENT PARTS | | | |
|-------------------|------------|------------------------------------|-----|
| ITEM | PART NO | DESCRIPTION | QTY |
| 1 | LST200-B | 2" POLY BOWL (CONTAINS #1, #3, #4) | 1 |
| 2 | LST200-GV | 2" FKM GASKET | 1 |
| 3 | LSQ200-PL | 1" CLEAN OUT PLUG | 1 |
| 4 | LSQ200-RV | FKM O-RING FOR CLEAN OUT PLUG | 1 |
| 5 | LST204SS | 4 MESH SS SCREEN | 1 |
| 5 | LST206SS | 6 MESH SS SCREEN | 1 |
| 5 | LST208SS | 8 MESH SS SCREEN | 1 |
| 5 | LST210SS | 10 MESH SS SCREEN | 1 |
| 5 | LST216SS | 16 MESH SS SCREEN | 1 |
| 5 | LST220SS | 20 MESH SS SCREEN | 1 |
| 5 | LST230SS | 30 MESH SS SCREEN | 1 |
| 5 | LST250SS | 50 MESH SS SCREEN | 1 |
| 5 | LST280SS | 80 MESH SS SCREEN | 1 |
| 6 | LST200-HSS | 2" SS HEAD | 1 |

2" T STRAINERS POLY/STAINLESS COMBO



| REPLACEMENT PARTS | | | |
|-------------------|------------|---------------------------------------|-----|
| ITEM | PART NO | DESCRIPTION | QTY |
| 1 | N/A | 2" LSQ BODY | 1 |
| 2 | LS206 | 6 MESH SCREEN | 1 |
| 2 | LS212 | 12 MESH SCREEN | 1 |
| 2 | LS220 | 20 MESH SCREEN | 1 |
| 2 | LS230 | 30 MESH SCREEN | 1 |
| 2 | LS250 | 50 MESH SCREEN | 1 |
| 2 | LS280 | 80 MESH SCREEN | 1 |
| 2 | LS2120 | 120 MESH SCREEN | 1 |
| 3 | LSQ150-B/C | 1 1/2" X 1 1/2" LSQ STRAINER BODY/CAP | 1 |
| 3 | LSQ200-G | 2" EPDM GASKET | 1 |
| 3 | LSQ200-GV | 2" FKM GASKET | 1 |
| 4 | LSQ200R1 | O-RING | 1 |
| 5 | N/A | 3/4" CLEAN OUT PLUG | 1 |
| 6 | LSQ200-C | 2" CAP (CONTAINS #3-6) | 1 |
| N/S | LSQ200-B/C | 2" BODY/CAP (CONTAINS #1, 3-6) | 1 |

LSQ STRAINERS

SCREENS

| MESH SIZE | RIB COLOR |
|-----------|--------------|
| 6 MESH | WHITE |
| 12 MESH | BLACK |
| 20 MESH | BEIGE |
| 30 MESH | FLAME RED |
| 50 MESH | GENTIAN BLUE |
| 80 MESH | ZINC YELLOW |
| 120 MESH | BLACK |

STANDARD MESHERS & DATA

| | 6 MESH | 8 MESH | 10 MESH | 12 MESH | 16 MESH | 20 MESH | 30 MESH | 50 MESH | 80 MESH | 100 MESH | 120 MESH |
|---------------|--------|--------|---------|---------|---------|---------|---------|---------|---------|----------|----------|
| MICRONS | 3360 | 2380 | 2000 | 1680 | 1190 | 841 | 595 | 297 | 177 | 149 | 116 |
| WIRE DIAMETER | .035 | .028 | .025 | .023 | .018 | .016 | .012 | .009 | .0055 | .0045 | .0037 |
| OPENING | .132 | .097 | .075 | .060 | .044 | .034 | .021 | .011 | .007 | .005 | .0046 |
| % OPEN AREA | 62.7 | 60.2 | 56.3 | 51.8 | 50.7 | 46.2 | 40.8 | 30.3 | 31.4 | 30.3 | 30.5 |

LINE STRAINERS

1/2"-1 1/4" Y STRAINERS

FEATURES

- Heavy duty glass reinforced polypropylene
- Corrosion resistant
- Easy grip end cap
- Heavy duty end cap threads
- Clean out plug
- Polypropylene ribbed 316 stainless steel screens
- EPDM gaskets
- Convenient color coded screens for easy mesh size identification (Refer to chart on next page)



1/2" - 3/4" Y STRAINERS

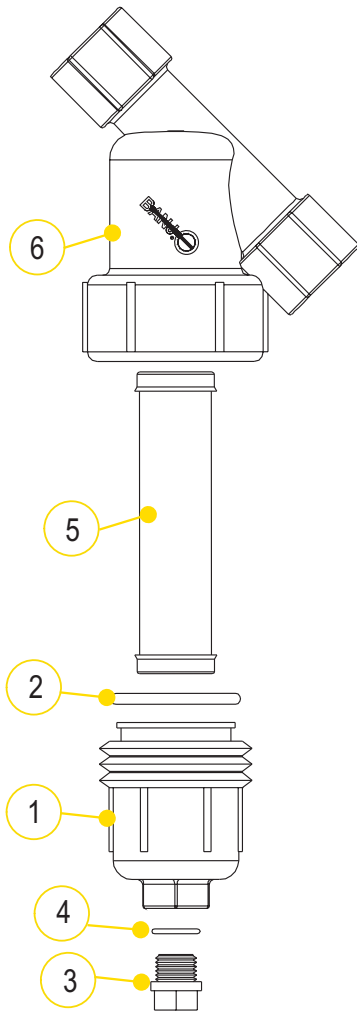
| PART NO | DESCRIPTION | MAX PSI | QTY |
|----------|-----------------------------------------------|---------|-----|
| LS050-20 | 1/2" X 1/2" FP Y STRAINER W/20 MESH SS SCREEN | 225 | 1 |
| LS050-40 | 1/2" X 1/2" FP Y STRAINER W/40 MESH SS SCREEN | 225 | 1 |
| LS050-80 | 1/2" X 1/2" FP Y STRAINER W/80 MESH SS SCREEN | 225 | 1 |
| LS075-20 | 3/4" X 3/4" Y STRAINER W/20 MESH SS SCREEN | 225 | 1 |
| LS075-40 | 3/4" X 3/4" Y STRAINER W/40 MESH SS SCREEN | 225 | 1 |
| LS075-80 | 3/4" X 3/4" Y STRAINER W/80 MESH SS SCREEN | 225 | 1 |



1" - 1 1/4" Y STRAINERS

| PART NO | DESCRIPTION | MAX PSI | QTY |
|----------|------------------------------------------------|---------|-----|
| LS100-20 | 1" X 1" Y STRAINER W/20 MESH SS SCREEN | 200 | 1 |
| LS100-40 | 1" X 1" Y STRAINER W/40 MESH SS SCREEN | 200 | 1 |
| LS100-80 | 1" X 1" Y STRAINER W/80 MESH SS SCREEN | 200 | 1 |
| LS125-20 | 1 1/4" X 1 1/4" Y STRAINER W/20 MESH SS SCREEN | 200 | 1 |
| LS125-40 | 1 1/4" X 1 1/4" Y STRAINER W/40 MESH SS SCREEN | 200 | 1 |
| LS125-80 | 1 1/4" X 1 1/4" Y STRAINER W/80 MESH SS SCREEN | 200 | 1 |

LINE STRAINERS



| REPLACEMENT PARTS | | | |
|-------------------|-----------|-----------------------------------------|-----|
| ITEM | PART NO | DESCRIPTION | QTY |
| 1 | N/A | 1/2"-3/4" END CAP (CONTAINS #1, #3, #4) | 1 |
| 2 | LS075-G | 1/2"-3/4" O-RING | 1 |
| 3 | 12723 | 1/4" DRAIN PLUG (FITS 1/2"-3/4") | 1 |
| 4 | 12724 | 1/2"-3/4" EPDM O-RING FOR DRAIN PLUG | 1 |
| 5 | LS720 | 1/2"-3/4" 20 MESH SCREEN | 1 |
| 5 | LS740 | 1/2"-3/4" 40 MESH SCREEN | 1 |
| 5 | LS780 | 1/2"-3/4" 80 MESH SCREEN | 1 |
| 6 | N/A | 3/4" Y BODY | 1 |
| N/S | LS050B/C1 | 1/2" Y BODY, CAP & GASKET | 1 |
| N/S | LS075B/C1 | 3/4" Y BODY, CAP & GASKET | 1 |

| REPLACEMENT PARTS | | | |
|-------------------|-----------|-----------------------------------------|-----|
| ITEM | PART NO | DESCRIPTION | QTY |
| 1 | LS100-C1 | 1"-1 1/4" END CAP (CONTAINS #1, #3, #4) | 1 |
| 2 | LS100-G | 1"-1 1/4" O-RING | 1 |
| 2 | LS100-GV | 1"-1 1/4" FKM GASKET | 1 |
| 3 | 12777 | 1/2" PLUG (FITS 1"-1 1/4") | 1 |
| 4 | UV15163 | EPDM O-RING FOR DRAIN PLUG | 1 |
| 4 | UV15163V | FKM O-RING FOR DRAIN PLUG | 1 |
| 5 | LS120 | 1"-1 1/4" 20 MESH SCREEN | 1 |
| 5 | LS140 | 1"-1 1/4" 40 MESH SCREEN | 1 |
| 5 | LS180 | 1"-1 1/4" 80 MESH SCREEN | 1 |
| 6 | N/A | 1" Y BODY | 1 |
| 6 | N/A | 1 1/4" Y BODY | 1 |
| N/S | LS100B/C1 | 1" Y BODY, CAP & GASKET | 1 |
| N/S | LS125B/C1 | 1 1/4" Y BODY, CAP & GASKET | 1 |

| STANDARD MESHES & DATA | | | | | | | | | | | |
|------------------------|--------|--------|---------|---------|---------|---------|---------|---------|---------|----------|----------|
| | 6 MESH | 8 MESH | 10 MESH | 12 MESH | 16 MESH | 20 MESH | 30 MESH | 50 MESH | 80 MESH | 100 MESH | 120 MESH |
| MICRONS | 3360 | 2380 | 2000 | 1680 | 1190 | 841 | 595 | 297 | 177 | 149 | 116 |
| WIRE DIAMETER | .035 | .028 | .025 | .023 | .018 | .016 | .012 | .009 | .0055 | .0045 | .0037 |
| OPENING | .132 | .097 | .075 | .060 | .044 | .034 | .021 | .011 | .007 | .005 | .0046 |
| % OPEN AREA | 62.7 | 60.2 | 56.3 | 51.8 | 50.7 | 46.2 | 40.8 | 30.3 | 31.4 | 30.3 | 30.5 |

1/2"-1 1/4" Y STRAINERS

| SCREENS | |
|-----------|---------------|
| MESH SIZE | RIB COLOR |
| 6 MESH | WHITE |
| 12 MESH | BLACK |
| 20 MESH | BEIGE |
| 30 MESH | FLAME RED |
| 40 MESH | BROWN |
| 50 MESH | GENTIAN BLUE |
| 60 MESH | GENTIAN BLUE |
| 80 MESH | ZINC YELLOW |
| 100 MESH | TRAFFIC GREEN |
| 120 MESH | BLACK |

LINE STRAINERS

1½"-2" Y STRAINERS

FEATURES

- Heavy duty glass reinforced polypropylene
- Corrosion resistant
- Easy grip end cap
- Heavy duty end cap threads
- Clean out plug
- Polypropylene ribbed 316 stainless steel screens
- EPDM gaskets
- Convenient color coded screens for easy mesh size identification (Refer to chart on next page)



1½" Y STRAINERS

| PART NO | DESCRIPTION | MAX PSI | QTY |
|-----------|-------------------------------------------|---------|-----|
| LS150-06 | 1½" X 1½" Y STRAINER W/6 MESH SS SCREEN | 150 | 1 |
| LS150-12 | 1½" X 1½" Y STRAINER W/12 MESH SS SCREEN | 150 | 1 |
| LS150-20 | 1½" X 1½" Y STRAINER W/20 MESH SS SCREEN | 150 | 1 |
| LS150-30 | 1½" X 1½" Y STRAINER W/30 MESH SS SCREEN | 150 | 1 |
| LS150-50 | 1½" X 1½" Y STRAINER W/50 MESH SS SCREEN | 150 | 1 |
| LS150-80 | 1½" X 1½" Y STRAINER W/80 MESH SS SCREEN | 150 | 1 |
| LS150-120 | 1½" X 1½" Y STRAINER W/120 MESH SS SCREEN | 150 | 1 |

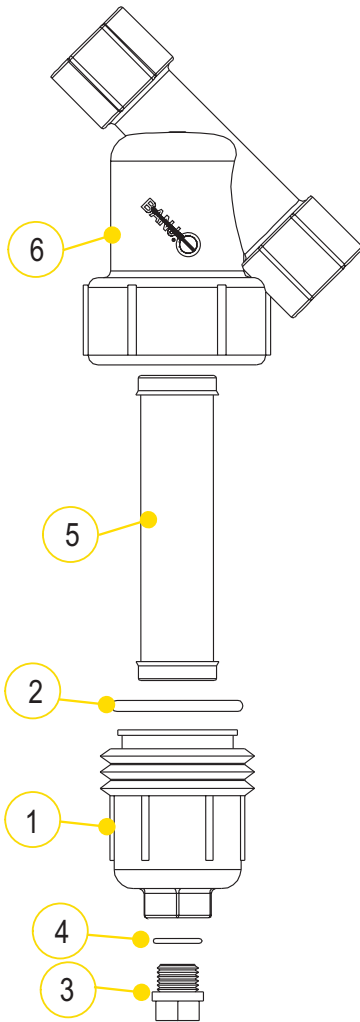


2" Y STRAINERS

| PART NO | DESCRIPTION | MAX PSI | LOT QTY |
|-----------|-----------------------------------------------------|---------|---------|
| LS200-06 | 2" X 2" Y STRAINER W/6 MESH POLY RIBBED SS SCREEN | 150 | 1 |
| LS200-12 | 2" X 2" Y STRAINER W/12 MESH POLY RIBBED SS SCREEN | 150 | 1 |
| LS200-20 | 2" X 2" Y STRAINER W/20 MESH POLY RIBBED SS SCREEN | 150 | 1 |
| LS200-30 | 2" X 2" Y STRAINER W/30 MESH POLY RIBBED SS SCREEN | 150 | 1 |
| LS200-50 | 2" X 2" Y STRAINER W/50 MESH POLY RIBBED SS SCREEN | 150 | 5 |
| LS200-80 | 2" X 2" Y STRAINER W/80 MESH POLY RIBBED SS SCREEN | 150 | 1 |
| LS200-100 | 2" X 2" Y STRAINER W/100 MESH POLY RIBBED SS SCREEN | 150 | 1 |
| LS200-120 | 2" X 2" Y STRAINER W/120 MESH POLY RIBBED SS SCREEN | 150 | 1 |

LINE STRAINERS

1½"-2" Y STRAINERS



REPLACEMENT PARTS

| ITEM | PART NO | DESCRIPTION | QTY |
|------|-----------|----------------------------------------|-----|
| 1 | LS150-C | 1½" - 2" END CAP (CONTAINS #1, #3, #4) | 1 |
| 2 | LS150-G | 1½"-2" O-RING | 1 |
| 2 | LS150-GV | 1½"-2" FKM GASKET | 1 |
| 3 | LSQ200-PL | 1" DRAIN PLUG (FITS 1½" - 2") | 1 |
| 4 | LSQ200-RV | 1½"-2" FKM O-RING FOR DRAIN PLUG | 1 |
| 5 | LS206 | 1½"-2" 6 MESH SCREEN | 1 |
| 5 | LS212 | 1½"-2" 12 MESH SCREEN | 1 |
| 5 | LS220 | 1½"-2" 20 MESH SCREEN | 1 |
| 5 | LS230 | 1½"-2" 30 MESH SCREEN | 1 |
| 5 | LS250 | 1½"-2" 50 MESH SCREEN | 1 |
| 5 | LS280 | 1½"-2" 80 MESH SCREEN | 1 |
| 5 | LS2100 | 1½"-2" 100 MESH SCREEN | 1 |
| 5 | LS2120 | 1½"-2" 120 MESH SCREEN | 1 |
| 5 | LS250P | 1½"-2" 50 MESH ALL POLY SCREEN | 1 |
| 6 | N/A | 1½" Y BODY | 1 |
| 6 | N/A | 2" Y BODY | 1 |
| N/S | LS150B/C | 1½" Y BODY, CAP & GASKET | 1 |
| N/S | LS200B/C | 2" Y BODY, CAP & GASKET | 1 |

SCREENS

| MESH SIZE | RIB COLOR |
|-----------|---------------|
| 6 MESH | WHITE |
| 12 MESH | BLACK |
| 20 MESH | BEIGE |
| 30 MESH | FLAME RED |
| 40 MESH | BROWN |
| 50 MESH | GENTIAN BLUE |
| 80 MESH | ZINC YELLOW |
| 100 MESH | TRAFFIC GREEN |
| 120 MESH | BLACK |

STANDARD MESHERS & DATA

| | 6 MESH | 8 MESH | 12 MESH | 20 MESH | 30 MESH | 50 MESH | 80 MESH | 100 MESH | 120 MESH |
|---------------|--------|--------|---------|---------|---------|---------|---------|----------|----------|
| MICRONS | 3360 | 2380 | 1680 | 841 | 595 | 297 | 177 | 149 | 116 |
| WIRE DIAMETER | .035 | .028 | .023 | .016 | .012 | .009 | .0055 | .0045 | .0037 |
| OPENING | .132 | .097 | .060 | .034 | .021 | .011 | .007 | .005 | .0046 |
| % OPEN AREA | 62.7 | 60.2 | 51.8 | 46.2 | 40.8 | 30.3 | 31.4 | 30.3 | 30.5 |

LINE STRAINERS

3" Y STRAINERS

FEATURES

- Heavy duty glass reinforced polypropylene
- Corrosion resistant
- High volume
- Heavy duty end cap threads
- ½" clean out plug
- 304 stainless steel screens
- EPDM gaskets
- Warning: to be used on suction side or non-pressure side in all applications



3" Y STRAINERS

| PART NO | DESCRIPTION | MAX PSI | LOT QTY |
|-----------|-------------------------------------|---------|---------|
| LSM300-04 | 3" X 3" Y STRAINER W/4 MESH SCREEN | 75 | 2/BOX |
| LSM300-08 | 3" X 3" Y STRAINER W/8 MESH SCREEN | 75 | 2/BOX |
| LSM300-12 | 3" X 3" Y STRAINER W/12 MESH SCREEN | 75 | 2/BOX |
| LSM300-20 | 3" X 3" Y STRAINER W/20 MESH SCREEN | 75 | 2/BOX |
| LSM300-50 | 3" X 3" Y STRAINER W/50 MESH SCREEN | 75 | 2/BOX |

3" Y STAINLESS STEEL STRAINERS

FEATURES

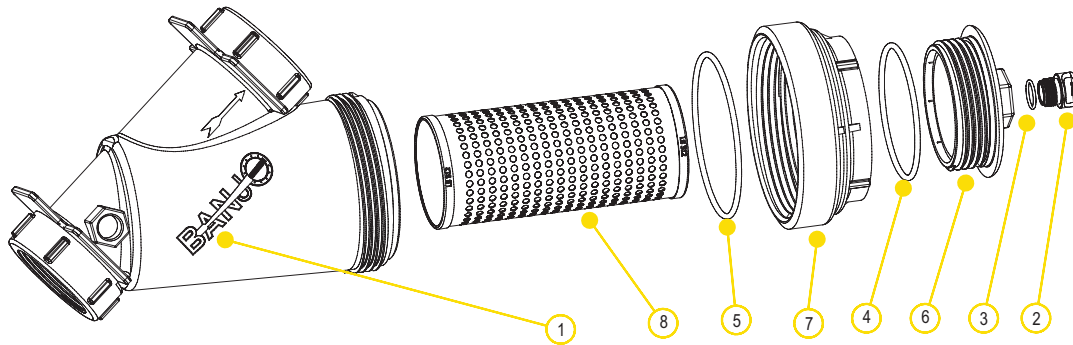
- Heavy duty stainless steel
- Corrosion resistant
- High volume
- Heavy duty end cap threads
- ½" clean out plug
- 304 stainless steel screens
- EPDM gaskets standard, FKM available
- Maximum operating pressure 225 psi
- Warning: to be used on suction side or non-pressure side in all applications



3" Y STRAINERS

| PART NO | DESCRIPTION | QTY |
|-----------|---------------------------|-----|
| LSS300-BC | 3" SS BODY, CAP & GASKETS | 1 |
| LSS300-C | 3" SS CAP | 1 |
| LSS300-S | EPDM SCREEN SEAL | 1 |
| LSS300-SV | FKM SCREEN SEAL | 1 |
| LSS300-G | EPDM CAP GASKET | 1 |
| LSS300-GV | FKM CAP GASKET | 1 |

LINE STRAINERS

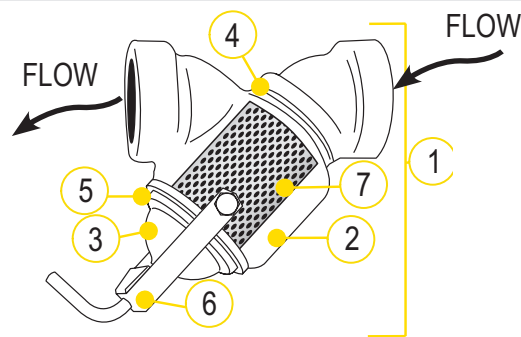


3" Y STRAINERS

- 304 stainless steel screens

REPLACEMENT PARTS

| ITEM | PART NO | DESCRIPTION | QTY |
|------|------------|-------------------------------------|-----|
| 1 | MLS300B1 | 3" BODY | 1 |
| 2 | 13777 | 3/4" PLUG | 1 |
| 3 | 13778 | O-RING | 1 |
| 4 | MLS300ECG | EPDM END CAP GASKET | 1 |
| 4 | MLS300ECGV | FKM CAP GASKET | 1 |
| 5 | MLS300G | EPDM CAP GASKET | 1 |
| 6 | LS300EC | END CAP ONLY (PLUG SOLD SEPARATELY) | 1 |
| 7 | MLS300CAP | 3" CAP | 1 |
| 8 | LS304 | 4 MESH SCREEN | 1 |
| 8 | LS308 | 8 MESH SCREEN | 1 |
| 8 | LS312 | 12 MESH SCREEN | 1 |
| 8 | LS320 | 20 MESH SCREEN | 1 |
| 8 | LS350 | 50 MESH SCREEN | 1 |



3" Y STAINLESS STEEL STRAINERS

- 304 stainless steel screens

REPLACEMENT PARTS

| ITEM | PART NO | DESCRIPTION | QTY |
|------|-----------|---------------------------|-----|
| 1 | LSS300-BC | 3" SS BODY, CAP & GASKETS | 1 |
| 2 | N/A | 3" SS BODY | 1 |
| 3 | LSS300-C | 3" SS CAP | 1 |
| 4 | LSS300-S | EPDM SCREEN SEAL | 1 |
| 4 | LSS300-SV | FKM SCREEN SEAL | 1 |
| 5 | LSS300-G | EPDM CAP GASKET | 1 |
| 5 | LSS300-GV | FKM CAP GASKET | 1 |
| 6 | LSS300-H | HANDLE/CLAMP ASSEMBLY | 1 |
| 7 | LSS306 | 6 MESH SS SCREEN | 1 |
| 7 | LSS308 | 8 MESH SS SCREEN | 1 |
| 7 | LSS312 | 12 MESH SS SCREEN | 1 |
| 7 | LSS320 | 20 MESH SS SCREEN | 1 |
| 7 | LSS330 | 30 MESH SS SCREEN | 1 |
| 7 | LSS350 | 50 MESH SS SCREEN | 1 |

CENTRIFUGAL PUMPS

PUMP ACCESSORIES
PAGES 95

SUCTION BASKET STRAINERS
BASE PLATES

2" POLY PUMPS
PAGES 96 - 109

GAS ENGINE PUMPS
PUMP ONLY/ BEARING PEDESTAL
WET SEAL WITH GAS ENGINE
ELECTRIC MOTOR DRIVEN
HYDRAULIC MOTOR DRIVEN
MANIFOLD

3" POLY PUMPS
PAGES 110- 119

GAS ENGINE PUMPS
PUMP ONLY/ BEARING PEDESTAL
MANIFOLD
HYDRAULIC MOTOR DRIVEN
WET SEAL WITH GAS ENGINE

1½" & 2" CAST IRON PUMPS
PAGES 120 - 127

GAS ENGINE PUMPS
PUMP ONLY/ BEARING PEDESTAL
WET SEALS
ELECTRIC MOTOR DRIVEN
HYDRAULIC MOTOR DRIVEN

**2" CAST IRON 222
SERIES PUMPS**
PAGES 128- 131

GAS ENGINE PUMPS
PUMP ONLY/ BEARING PEDESTAL
HYDRAULIC MOTOR DRIVEN
ELECTRIC MOTOR DRIVEN
MANIFOLD WET SEAL

3" CAST IRON PUMPS
PAGES 132 - 137

GAS ENGINE PUMPS
PUMP ONLY/ BEARING PEDESTAL
WET SEALS
HYDRAULIC MOTOR DRIVEN

**3" CAST IRON 333
SERIES PUMPS**
PAGES 138 - 139

GAS ENGINE PUMPS
PUMP ONLY/ BEARING PEDESTAL
ELECTRIC MOTOR DRIVEN

**3" CAST IRON MANIFOLD WET
SEAL M332 SERIES PUMPS**
PAGES 140 - 143

GAS ENGINE PUMPS
PUMP ONLY/ BEARING PEDESTAL
ELECTRIC MOTOR DRIVEN
HYDRAULIC MOTOR DRIVEN

**4" CAST IRON 444
SERIES PUMPS**
PAGES 144 - 145

GAS ENGINE PUMPS
PUMP ONLY

**2" & 3" STAINLESS STEEL
PUMPS**
PAGES 146- 153

GAS ENGINE PUMPS
PUMP ONLY/ BEARING PEDESTAL
ELECTRIC MOTOR DRIVEN
HYDRAULIC MOTOR DRIVEN

SUCTION BASKET STRAINERS



SUCTION BASKET STRAINERS

| PART NO | DESCRIPTION | QTY |
|---------|------------------------------|-----|
| 200SBS | 2" FEMALE THREAD POLY BASKET | 1 |
| 300SBS | 3" FEMALE THREAD POLY BASKET | 1 |

FEATURES

- Made of polyethylene
- Prevents plugging and damage to pump while suctioning from streams or ponds.

BASE PLATE ASSEMBLY



BASE PLATE ASSEMBLY

| PART NO | DESCRIPTION | QTY |
|---------|------------------------------------------------------------------------|-----|
| 18700 | BASE PLATE ASSEMBLY INCLUDES PLATE, COUPLING GUARD, BOLT BAG AND SHIMS | 1 |

FEATURES

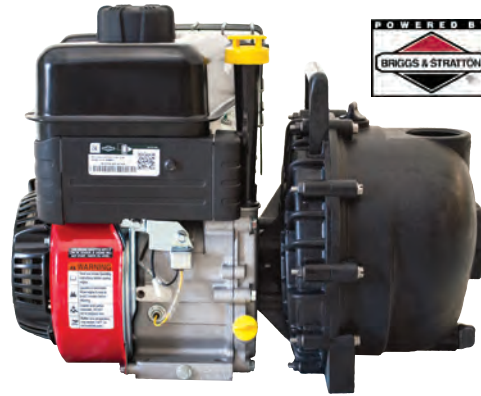
- Universal fit for 1½", 2" and 3" polypropylene or cast iron pumps

CENTRIFUGAL PUMPS

2" POLY PUMPS

FEATURES

- Precision molded construction
- Lightweight
- Corrosion resistant
- Superior design
- Low maintenance
- EPDM standard, FKM available
- Engine warranty service available at authorized Briggs & Stratton® and Honda® dealers



2" POLY PUMPS W/GAS ENGINES

| PART NO | DESCRIPTION | HP | QTY | SKID QTY |
|-----------|--------------------------------------------------------------------------------|-----|-----|----------|
| 200PH-5 | 2" POLY PUMP W/5.5 HP HONDA® ENGINE | 5.5 | 1 | 12 |
| 200PH-5E | 2" POLY PUMP W/5.5 HP HONDA® ENGINE W/ ELECTRIC START | 5.5 | 1 | 12 |
| 200PH-5V | 2" POLY PUMP W/5.5 HP HONDA® ENGINE W/FKM & 316 SS SEAL | 5.5 | 1 | 12 |
| 200PH6 | 2" POLY PUMP W/6.5 HP HONDA® ENGINE | 6.5 | 1 | 12 |
| 200P6PRO | 2" POLY PUMP W/6.5 HP BRIGGS & STRATTON® ENGINE PRO SERIES | 6.5 | 1 | 12 |
| 200P6PROE | 2" POLY PUMP W/6.5 HP BRIGGS & STRATTON® ENGINE PRO SERIES W/ELECTRIC START | 6.5 | 1 | 12 |
| 200P6PROV | 2" POLY PUMP W/6.5 HP BRIGGS & STRATTON® ENGINE PRO SERIES W/FKM & 316 SS SEAL | 6.5 | 1 | 12 |



WARNING! DO NOT RUN PUMP DRY, RESTRICT OR REDUCE PORT SIZES OR DEAD HEAD PUMP



WARNING! DO NOT USE WITH FLAMMABLE LIQUIDS



2" POLY PUMP BEARING PEDESTALS

| PART NO | DESCRIPTION | HP | QTY | SKID QTY |
|---------|------------------------------------------------------------------------------|-----|-----|----------|
| 200PB | 2" POLY BEARING PEDESTAL W/ 3/4" SHAFT & 3 VANE IMPELLER | N/A | 1 | 18 |
| 205PB | 2" POLY BEARING PEDESTAL W/ 3/4" SHAFT & 5 VANE IMPELLER | N/A | 1 | 18 |
| 205PB-V | 2" POLY BEARING PEDESTAL W/ 3/4" SHAFT & 5 VANE IMPELLER W/FKM & 316 SS SEAL | N/A | 1 | 18 |



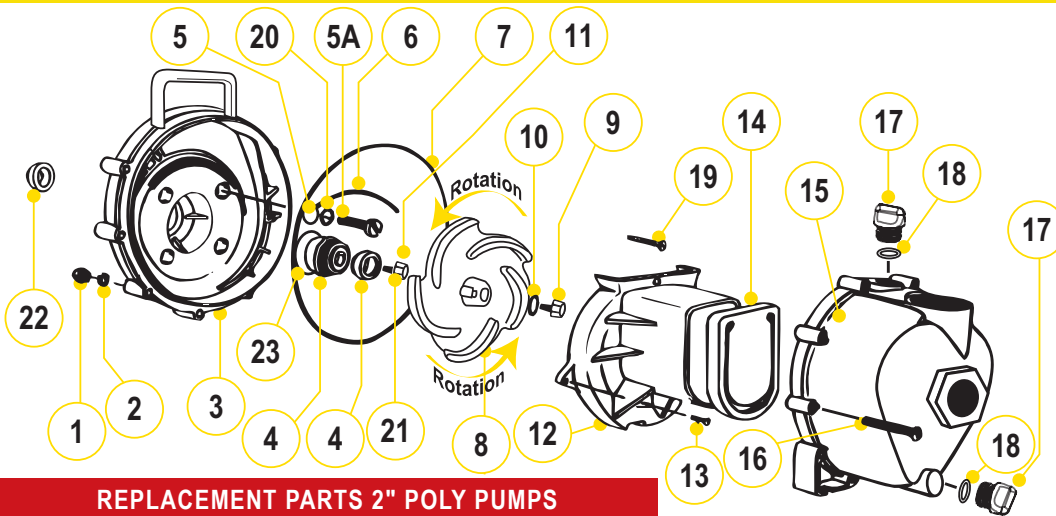
2" POLY PUMP ONLYS

| PART NO | DESCRIPTION | HP | QTY | SKID QTY |
|---------|---------------------------------------------------------------|-----|-----|----------|
| 200PO | 2" POLY PUMP ONLY* W/ 3 & 5 VANE IMPELLER | N/A | 1 | 27 |
| 200PO-V | 2" POLY PUMP ONLY* W/ 3 & 5 VANE IMPELLER W/FKM & 316 SS SEAL | N/A | 1 | 27 |

Note: Requires 3/4" shaft on motor

CENTRIFUGAL PUMPS

2" POLY PUMPS

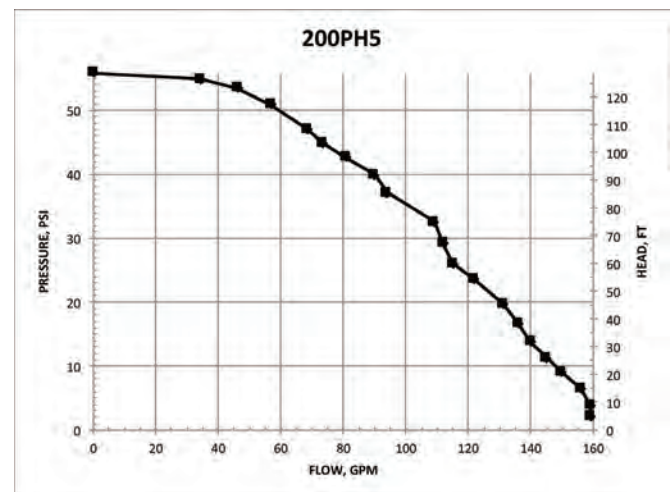
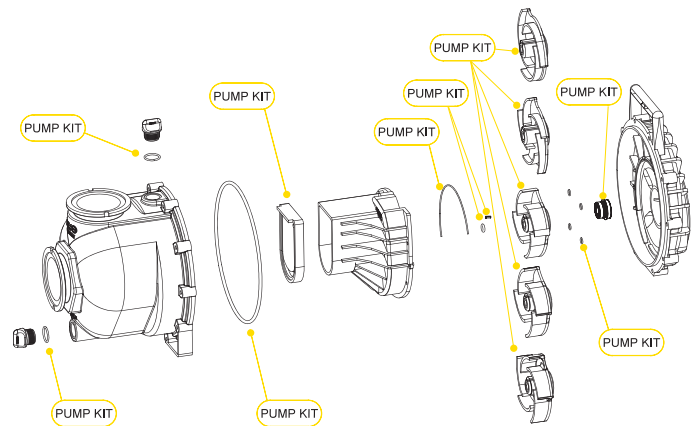


REPLACEMENT PARTS 2" POLY PUMPS

| ITEM | PART NO | DESCRIPTION | QTY |
|------|----------|---------------------------------------------------------------------|-----|
| 1 | V07019 | SS BODY NUTS | 10 |
| 2 | V07018 | SS LOCK WASHERS | 10 |
| 3 | 12703A | POLY PUMP REAR BRACKET | 1 |
| 4 | 12713 | SEAL ASSEMBLY | 1 |
| 4 | 12713V | FKM SEAL ASSEMBLY | 1 |
| 5 | 12717 | O-RING FOR SCREW HEAD | 4 |
| 5 | 12717V | FKM O-RING FOR SCREW HEAD | 4 |
| 5A | 12715A | SS BRACKET SCREWS | 4 |
| 6 | 12754 | O-RING SEGMENT | 1 |
| 6 | 12754V | FKM O-RING SEGMENT | 1 |
| 7 | 12719A | BODY O-RING | 1 |
| 7 | 12719AV | FKM BODY O-RING | 1 |
| 8 | 12772 | 5 VANE IMPELLER | 1 |
| 8 | 12771A | 3 VANE IMPELLER | 1 |
| 9 | 12765A | SS IMPELLER BOLT | 1 |
| 10 | A204 | O-RING | 1 |
| 10 | A204V | FKM O-RING | 1 |
| 11 | 12775A | IMPELLER HEX NUT | 1 |
| 12 | 12702A | POLY PUMP VOLUTE | 1 |
| 13 | 12725 | SS VOLUTE SCREWS | 1 |
| 14 | 12705 | POLY PUMP CHECK VALVE | 1 |
| 14 | 12705V | FKM CHECK VALVE | 1 |
| 15 | 12712A | BODY ASSEMBLY | 1 |
| 16 | 12720 | SS BODY SCREWS | 10 |
| 17 | 12777 | 1/2" PLUG | 2 |
| 18 | UV15163 | PRIME/DRAIN PLUG O-RING | 2 |
| 18 | UV15163V | FKM PRIME/DRAIN PLUG O-RING | 2 |
| 19 | 12900 | SS UPPER VOLUTE SCREW | 1 |
| 20 | 12901 | SS REAR BRACKET WASHER | 4 |
| 21 | 12902A | IMPELLER KEY | 1 |
| 22 | 12716 | POLY PUMP SLINGER | 1 |
| 23 | 12710 | O-RING FOR SEAL ASSEMBLY | 1 |
| 23 | 12710V | FKM O-RING FOR SEAL ASSEMBLY | 1 |
| N/S | 12882A | BEARING PEDESTAL | 1 |
| N/S | 12099 | 7/16"-14 X 1.25" HHCS | 1 |
| KIT | 12000A | POLY PUMP EPDM REPAIR KIT (ITEMS 4-8, 10, 14, 18, 21-23 & 12099) | 1 |
| KIT | 12000AV | POLY PUMP FKM REPAIR KIT (ITEMS 4-8, 10, 14, 18, 21-23 & 12099) | 1 |
| KIT | 12999A | PUMP SEAL/O-RING KIT (ITEMS 5-7, 10, 18, 22, 23 & 12099) | 1 |
| KIT | 12999AV | FKM PUMP SEAL/O-RING KIT (ITEMS 5-7, 10, 18, 22, 23 & 12099) | 1 |

KITS 2" POLY PUMPS

| PART NO | REPAIR KIT NO | SEAL KIT NO |
|-----------|---------------|-------------|
| 200PH-5 | 12000A | 12999A |
| 200PH-5E | 12000A | 12999A |
| 200PH-5V | 12000AV | 12999AV |
| 200PH6 | 12000A | 12999A |
| 200P6PRO | 12000A | 12999A |
| 200P6PROE | 12000A | 12999A |
| 200P6PROV | 12000AV | 12999AV |
| 200PB | 12000A | 12999A |
| 205PB | 12000A | 12999A |
| 205PB-V | 12000AV | 12999AV |
| 200PO | 12000A | 12999A |
| 200PO-V | 12000AV | 12999AV |



CENTRIFUGAL PUMPS

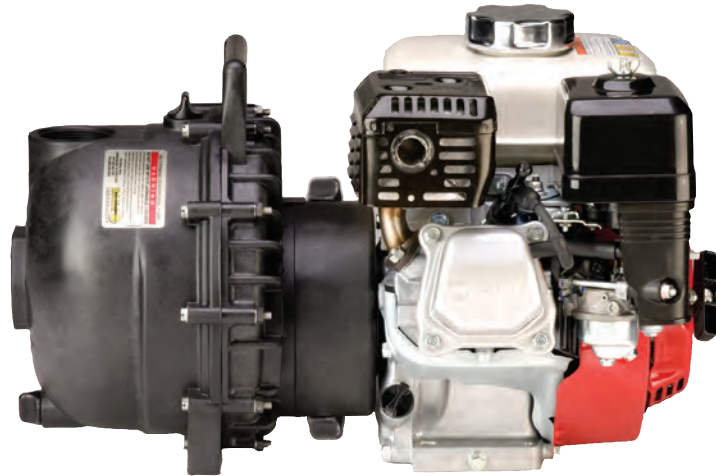
2" POLY WET SEAL PUMPS

FEATURES

- Run dry capability
- Double seal contained in ethylene glycol reservoir. Carbon ceramic seal faces with stainless steel cup and spring with EPDM rubber.
- Pump end separated from engine
- V-shaped for quicker priming
- Engine warranty service available at authorized Briggs & Stratton® and Honda® dealers



WARNING! DO NOT USE WITH
FLAMMABLE LIQUIDS



2" POLY WET SEAL PUMPS W/GAS ENGINES

| PART NO | DESCRIPTION | HP | QTY | SKID QTY |
|---------|----------------------------------------------|-----|-----|----------|
| 200PH5W | 2" POLY WET SEAL PUMP W/5.5 HP HONDA® ENGINE | 5.5 | 1 | 12 |

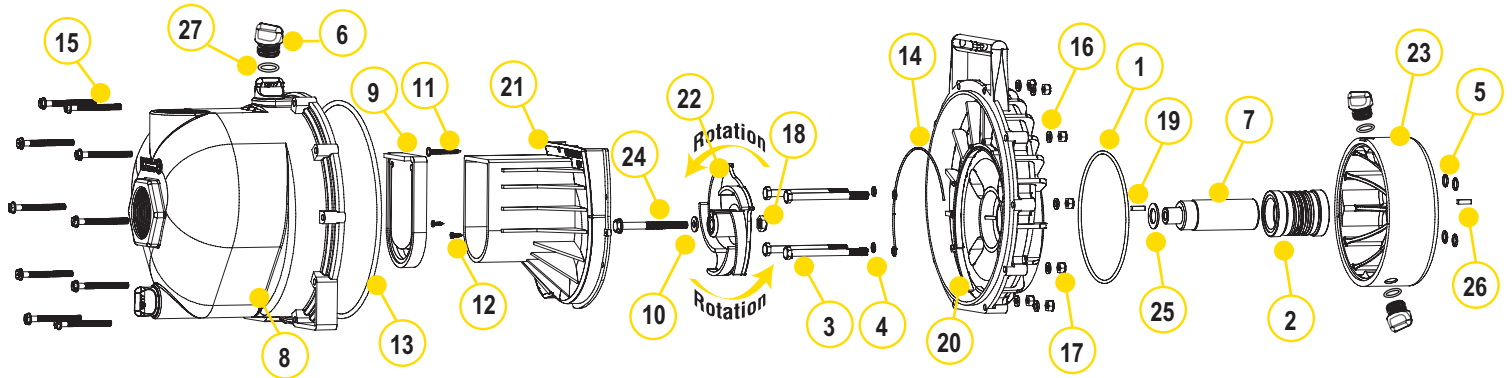


2" POLY WET SEAL PUMP ONLY

| PART NO | DESCRIPTION | HP | QTY | SKID QTY |
|---------|-------------------------------------------------------------|-----|-----|----------|
| 205POW | 2" POLY WET SEAL PUMP ONLY, 5 VANE IMPELLER WITH EPDM SEALS | N/A | 1 | 27 |

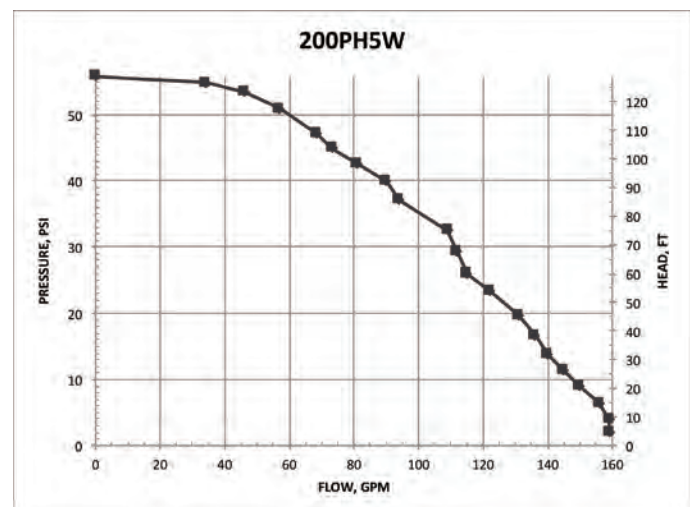
CENTRIFUGAL PUMPS

2" POLY WET SEAL PUMPS



REPLACEMENT PARTS 2" POLY PUMPS

| ITEM | PART NO | DESCRIPTION | QTY |
|------|---------|--------------------------------|-----|
| 1 | 13719 | O-RING | 1 |
| 2 | 15035E | EPDM MECHANICAL SEAL ASSEMBLY | 1 |
| 3 | 13034 | 5/16" -24 X 3 3/4" HHCS | 4 |
| 4 | 12717 | O-RING FOR BRACKET SCREW | 4 |
| 5 | 12709 | O-RING | 4 |
| 6 | 12777 | 1/2" PLUG | 4 |
| 7 | 12155 | ADAPTER SHAFT | 1 |
| 8 | 12712A | BODY ASSEMBLY | 1 |
| 9 | 12705 | CHECK VALVE | 1 |
| 10 | A204 | IMPELLER BOLT GASKET | 1 |
| 11 | 12900 | #10 X 1 1/2" PPH SMS | 1 |
| 12 | 12725 | #6 X 1/2" PPH SMS | 2 |
| 13 | 12719A | BODY O-RING | 1 |
| 14 | 12754 | O-RING SEGMENT | 1 |
| 15 | 12720 | 1/4" - 20 X 2 1/2" SL IND HWHS | 10 |
| 16 | V07018 | 1/4" LOCK WASHER | 10 |
| 17 | V07019 | 1/4" - 20 HEX NUT | 10 |
| 18 | 12775A | 7/16" - 14 HEX NUT | 1 |
| 19 | 12902A | 3/16" SQ. X 5/8" KEY | 2 |
| 20 | 12707W | WET SEAL REAR BRACKET | 1 |
| 21 | 12702A | VOLUTE | 1 |
| 22 | 12772 | 5 VANE IMPELLER | 1 |
| 23 | 12202W | WET SEAL RESERVOIR | 1 |
| 24 | 12766 | 5/16" - 24 X 3 3/4" HFS | 1 |
| 25 | CV10175 | GASKET | 1 |
| 26 | 12902A | 1/4" SQ. 3/4" KEY STOCK | 1 |
| 27 | UV15163 | O-RING FOR DRAIN PLUG | 4 |

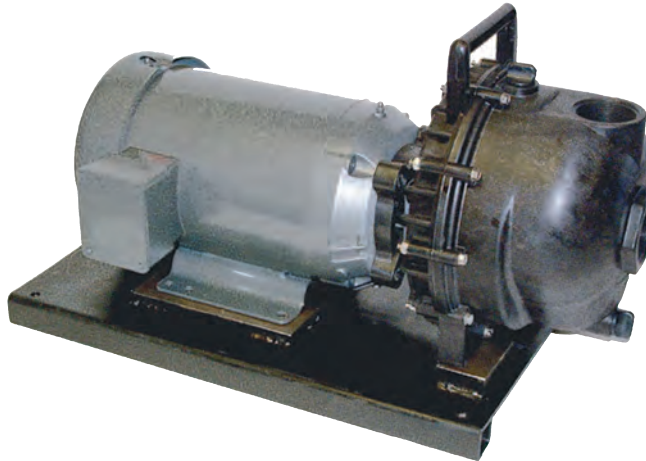


CENTRIFUGAL PUMPS

2" POLY PUMPS WITH ELECTRIC MOTORS

FEATURES

- Additional drive unit protection with added 1" spacer for ultimate protection
- The "Super Slinger" included for even more drive unit protection (not shown)



2" POLY PUMPS W/ELECTRIC MOTORS

| PART NO | DESCRIPTION | HP | QTY | SKID QTY |
|-----------|--------------------------------------------------------------------|----|-----|----------|
| 234PPE5 | 2" POLY PUMP W/5 HP THREE PHASE ELECTRIC MOTOR W/ EPDM ELASTOMERS | 5 | 1 | 3 |
| 234PPE5V | 2" POLY PUMP W/5 HP THREE PHASE ELECTRIC MOTOR W/FKM ELASTOMERS | 5 | 1 | 3 |
| 234PPE51 | 2" POLY PUMP W/5 HP SINGLE PHASE ELECTRIC MOTOR W/ EPDM ELASTOMERS | 5 | 1 | 3 |
| 234PPE51V | 2" POLY PUMP W/5 HP SINGLE PHASE ELECTRIC MOTOR W/FKM ELASTOMERS | 5 | 1 | 3 |



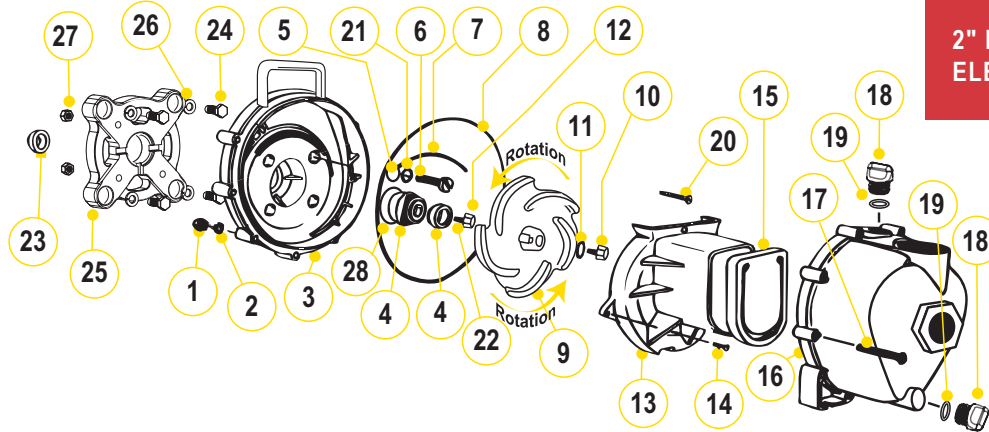
WARNING! DO NOT RUN PUMP DRY, RESTRICT OR REDUCE PORT SIZES OR DEAD HEAD PUMP



WARNING! DO NOT USE WITH FLAMMABLE LIQUIDS

CENTRIFUGAL PUMPS

2" POLY PUMPS WITH ELECTRIC MOTORS



REPLACEMENT PARTS 2" POLY PUMPS

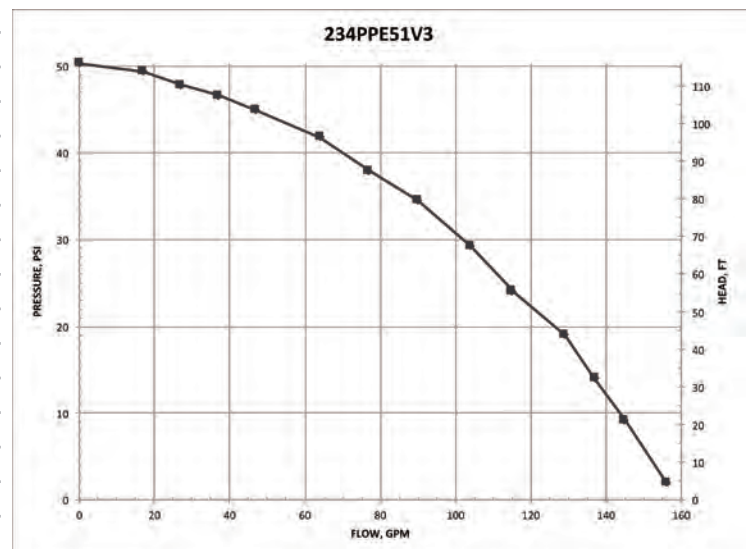
| ITEM | PART NO | DESCRIPTION | QTY |
|------|----------|-----------------------------------|-----|
| 1 | V07019 | SS BODY NUTS | 10 |
| 2 | V07018 | SS LOCK WASHERS | 10 |
| 3 | 12703A | POLY PUMP REAR BRACKET | 1 |
| 4 | 12713 | SEAL ASSEMBLY EPDM | 1 |
| 4 | 12713V | SEAL ASSEMBLY FKM | 1 |
| 5 | 12717 | SCREW HEADS O-RING EPDM | 4 |
| 5 | 12717V | SCREW HEADS O-RING FKM | 4 |
| 6 | N/A | SS BRACKET SCREWS | 4 |
| 7 | 12754 | O-RING SEGMENT EPDM | 1 |
| 7 | 12754V | O-RING SEGMENT FKM | 1 |
| 8 | 12719A | BODY O-RING EPDM | 1 |
| 8 | 12719AV | BODY O-RING FKM | 1 |
| 9 | 12772 | 5 VANE IMPELLER | 1 |
| 10 | 12765A | SS IMPELLER BOLT | 1 |
| 11 | A204 | O-RING | 1 |
| 11 | A204V | FKM O-RING | 1 |
| 12 | 12775A | IMPELLER HEX NUT | 1 |
| 13 | 12702A | POLY PUMP VOLUTE | 1 |
| 14 | 12725 | SS VOLUTE SCREWS | 2 |
| 15 | 12705 | POLY PUMP CHECK VALVE EPDM | 1 |
| 15 | 12705V | POLY PUMP CHECK VALVE FKM | 1 |
| 16 | 12712A | BODY ASSEMBLY EPDM | 1 |
| 16 | N/A | BODY ASSEMBLY FKM | 1 |
| 17 | 12720 | SS BODY SCREWS | 10 |
| 18 | 12777 | 1/2" PLUG | 2 |
| 19 | UV15163 | PRIME/DRAIN PLUG O-RING | 2 |
| 19 | UV15163V | FKM PRIME/DRAIN PLUG O-RING | 2 |
| 20 | 12900 | SS UPPER VOLUTE SCREW | 1 |
| 21 | 12901 | SS REAR BRACKET WASHER | 4 |
| 22 | 12902A | IMPELLER KEY | 1 |
| 23 | 12716 | PUMP SLINGER | 1 |
| 24 | 17704 | 3/8"-16 X 1.25" HHCS | 8 |
| 25 | 12046 | 56C FRAME ADAPTER | 1 |
| 26 | V20018 | LOCK WASHER FOR 56C FRAME ADAPTER | 8 |
| 27 | V10119 | NUT FOR 56C FRAME ADAPTER | 4 |
| 28 | 12710 | O-RING FOR SEAL ASSEMBLY | 1 |
| 28 | 12710V | FKM O-RING FOR SEAL ASSEMBLY | 1 |

REPLACEMENT PARTS 2" POLY PUMPS

| ITEM | PART NO | DESCRIPTION | QTY |
|------|---------|----------------------------------------------------------------------------|-----|
| N/S | 17701 | BASE PLATE | 1 |
| N/S | 12099 | 7/16"-14 X 1.25" HHCS | 1 |
| N/S | 12052 | 56C FRAME ADAPTER SHAFT FOR 200PEO | 1 |
| KIT | 12756 | 56C FRAME ADAPTER KIT (ITEMS 4, 6, 22, 24-27, 12052, 12053, 15751, 15752) | 1 |
| KIT | 12000A | POLY PUMP EPDM REPAIR KIT (ITEMS 4, 5, 7, 8, 9, 11, 15, 19, 22-23 & 12099) | 1 |
| KIT | 12000AV | POLY PUMP FKM REPAIR KIT (ITEMS 4, 5, 7, 8, 9, 11, 15, 19, 22-23 & 12099) | 1 |
| KIT | 12999A | PUMP SEAL/O-RING KIT (ITEMS 4, 5, 7, 8, 11, 19, 23) | 1 |
| KIT | 12999AV | FKM PUMP SEAL/O-RING KIT (ITEMS 4, 5, 7, 8, 11, 19, 23) | 1 |

KITS 2" POLY PUMPS

| PART NO | REPAIR KIT NO | SEAL KIT NO | FRAME ADAPTER KIT |
|-----------|---------------|-------------|-------------------|
| 234PPE5 | 12000A | 12999A | 12756 |
| 234PPE5V | 12000AV | 12999AV | 12756 |
| 234PPE51 | 12000A | 12999A | 12756 |
| 234PPE51V | 12000AV | 12999AV | 12756 |



CENTRIFUGAL PUMPS

2" POLY PUMPS WITH HYDRAULIC MOTORS

FEATURES

- Precision molded construction
- Lightweight
- Corrosion resistant
- Low maintenance
- Hydraulic fluid capacity is minimum 6 gallons and maximum 10 gallons
- Open or closed system
- 3600 R.P.M.
- Recommendation to use the motor spool control valve or a suitable equivalent. The lack of such a valve in this circuit may cause failure to the hydraulic motor.



2" POLY PUMPS W/HYDRAULIC MOTORS

| PART NO | DESCRIPTION | HP | QTY | SKID QTY |
|---------|-----------------------------------------------|------|-----|----------|
| 200PHA | 2" POLY PUMP WITHOUT HYDRAULIC MOTOR | N/A | 1 | 27 |
| 200PHY | 2" POLY PUMP W/12 HP HYDRAULIC MOTOR | 12.0 | 1 | 18 |
| 200PHYW | 2" POLY WET SEAL PUMP W/12 HP HYDRAULIC MOTOR | 12.0 | 1 | 18 |

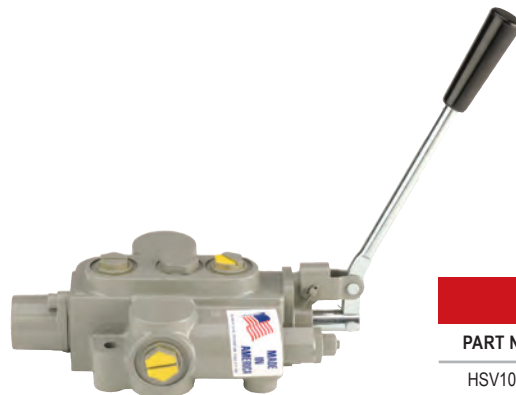
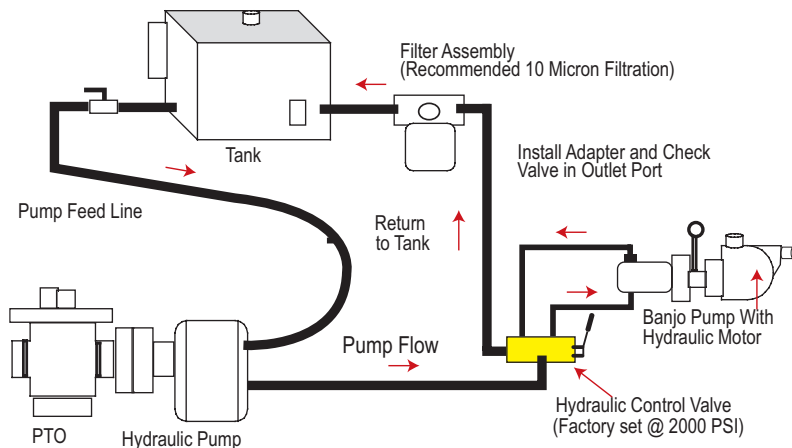


WARNING! DO NOT RUN PUMP DRY, RESTRICT OR REDUCE PORT SIZES OR DEAD HEAD PUMP



WARNING! DO NOT USE WITH FLAMMABLE LIQUIDS

SPOOL VALVE ASSEMBLY DIAGRAM

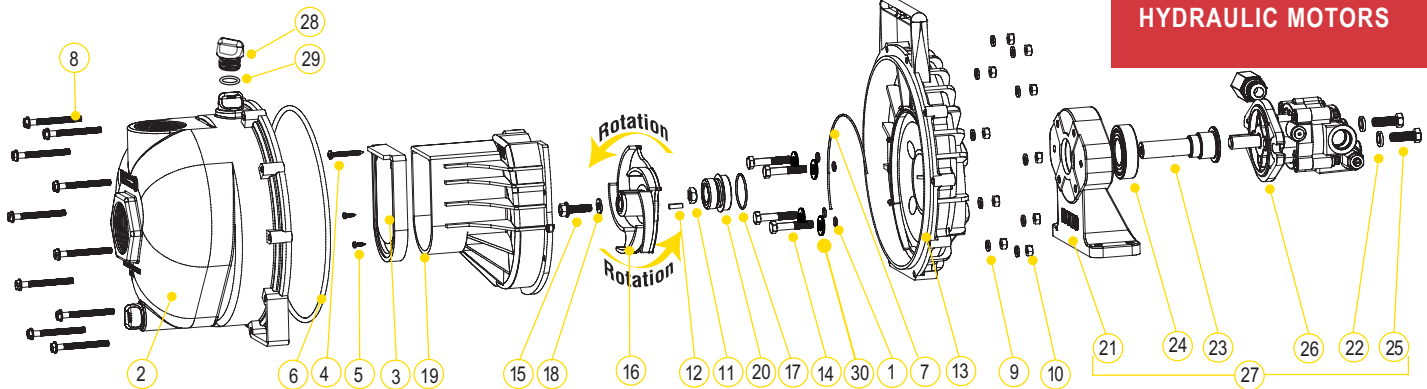


HYDRAULIC MOTOR SPOOL VALVE

| PART NO | DESCRIPTION | HP | QTY |
|---------|-----------------------------|-----|-----|
| HSV1000 | HYDRAULIC MOTOR SPOOL VALVE | N/A | 1 |

CENTRIFUGAL PUMPS

2" POLY PUMPS WITH HYDRAULIC MOTORS



REPLACEMENT PARTS 2" POLY PUMPS

| ITEM | PART NO | DESCRIPTION | QTY |
|------|---------|--------------------------------------------------------------------|-----|
| 1 | 12717 | O-RING FOR SCREW HEADS | 4 |
| 2 | 12712A | BODY ASSEMBLY | 1 |
| 3 | 12705 | CHECK VALVE | 1 |
| 4 | 12900 | SS UPPER VOLUTE SCREW | 1 |
| 5 | 12725 | SS VOLUTE SCREWS | 2 |
| 6 | 12719A | BODY O-RING | 1 |
| 7 | 12754 | O-RING SEGMENT | 1 |
| 8 | 12720 | SS BODY SCREWS | 10 |
| 9 | V07018 | SS LOCK WASHERS | 10 |
| 10 | V07019 | SS BODY NUTS | 10 |
| 11 | 12775A | IMPELLER HEX NUT | 1 |
| 12 | 12902A | IMPELLER KEY | 1 |
| 13 | 12703A | POLY PUMP REAR BRACKET | 1 |
| 14 | 12715A | 5/16"-24 X 1.75" HHCS | 4 |
| 15 | 12765A | SS IMPELLER BOLT | 1 |
| 16 | 12772 | 5 VANE IMPELLER | 1 |
| 17 | 12710 | O-RING FOR SEAL ASSEMBLY | 1 |
| 18 | A204 | O-RING | 1 |
| 19 | 12702A | POLY PUMP VOLUTE | 1 |
| 20 | 12713 | MECHANICAL SEAL ASSEMBLY | 1 |
| 21 | 12049F | HYDRAULIC PEDESTAL HOUSING | 1 |
| 22 | V20018 | 3/8" LOCK WASHER | 2 |
| 23 | 12055E | ADAPTER SHAFT | 1 |
| 24 | 17056E | BEARING | 1 |
| 25 | 18010SS | 3/8"-16 X 1.25" HHCS | 2 |
| 26 | HY1013 | HYDRAULIC MOTOR | 1 |
| 27 | 12600B | COMPLETE HYDRAULIC ASSEMBLY | 1 |
| 28 | 12777 | 1/2" PLUG | 2 |
| 29 | UV15163 | O-RING FOR PLUG | 2 |
| 30 | 12901 | WASHER (200PHA & 200PHY) | 4 |
| N/S | HY1003 | HYDRAULIC MOTOR SEAL KIT | 1 |
| KIT | 12000A | POLY PUMP EPDM REPAIR KIT (ITEMS 1, 3, 6, 7, 12, 16-18, 20, 12099) | 1 |
| KIT | 12999A | PUMP SEAL/O-RING KIT (ITEMS 1, 6, 7, 17, 20, 29, 12099) | 1 |

KITS 2" POLY PUMPS

| PART NO | EPDM REPAIR KIT NO | EPDM SEAL KIT NO | HYDRAULIC MOTOR SEAL KIT |
|---------|--------------------|------------------|--------------------------|
| 200PHA | 12000A | 12999A | N/A |
| 200PHY | 12000A | 12999A | HY1003 |

HYDRAULIC MOTOR DATA

| | |
|------------------------|------------------------|
| U.S. GALLONS/REV. | 0.0025 |
| CUBIC INCHES/REV. | 0.580 |
| LITERS/REV. | 0.0097 |
| MAX HYDRAULIC PRESSURE | 2000 PSI |
| MIN HYDRAULIC PRESSURE | 200 PSI |
| INLET PORT | SAE 10 (7/8-14 UNF-2B) |
| OUTLET PORT | SAE 10 (7/8-14 UNF-2B) |
| MINIMUM GPM REQUIRED | 6 GPM 2400 RPM |
| MAXIMUM GPM REQUIRED | 10 GPM 4000 RPM |
| IDEAL GPM REQUIRED | 9 GPM 3600 RPM |

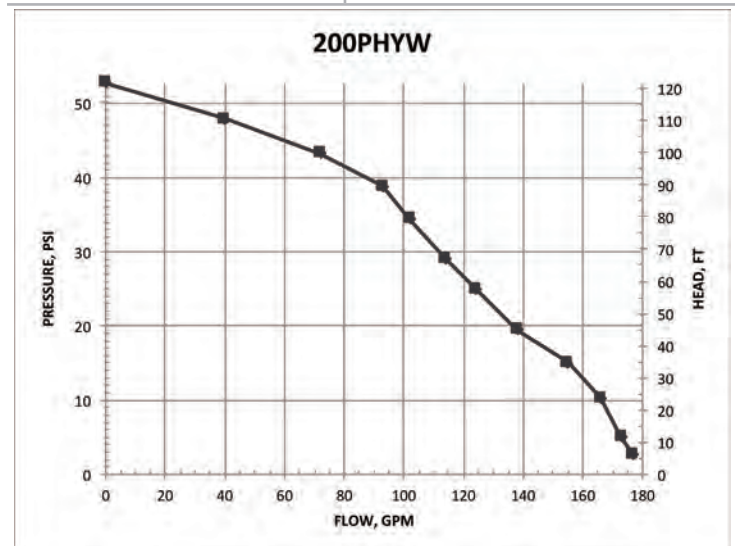
CONNECTION INFORMATION

| | |
|--------|----------|
| INLET | "A" PORT |
| OUTLET | "B" PORT |

SUPPLIED CHECK VALVE IS TO ENSURE PROPER ROTATION OF THE BANJO PUMP. PLACE CHECK VALVE IN OUTLET PORT (MARKED "B") FOR PROPER RIGHT HAND ROTATION.

SPOOL VALVE INFORMATION

| | |
|--------------------------|----------------------------|
| REQUIRED OUTLET FLOW | MIN 6 GPM / MAX 10 GPM |
| REQUIRED SYSTEM PRESSURE | MIN 600 PSI / MAX 3000 PSI |



CENTRIFUGAL PUMPS

2" POLY MANIFOLD PUMPS WITH GAS ENGINES

FEATURES

- Precision molded construction
- Lightweight
- Corrosion resistant
- Low maintenance
- See pages 41-47 on manifold fittings for easy plumbing.



2" POLY MANIFOLD PUMPS W/GAS ENGINES

| PART NO | DESCRIPTION | HP | QTY | SKID QTY |
|-----------|-------------------------------------------------------------------|-----|-----|----------|
| M220PH5 | 2" POLY MANIFOLD PUMP W/5.5 HP HONDA® ENGINE | 5.5 | 1 | 12 |
| M220PH6 | 2" FP MANIFOLD PUMP W/6.5 HP HONDA® ENGINE | 6.5 | 1 | 12 |
| M220P6PRO | 2" FP MANIFOLD PUMP W/6.5 HP BRIGGS & STRATTON® PRO SERIES ENGINE | 6.5 | 1 | 12 |



WARNING! DO NOT RUN PUMP DRY, RESTRICT OR REDUCE PORT SIZES OR DEAD HEAD PUMP



WARNING! DO NOT USE WITH FLAMMABLE LIQUIDS

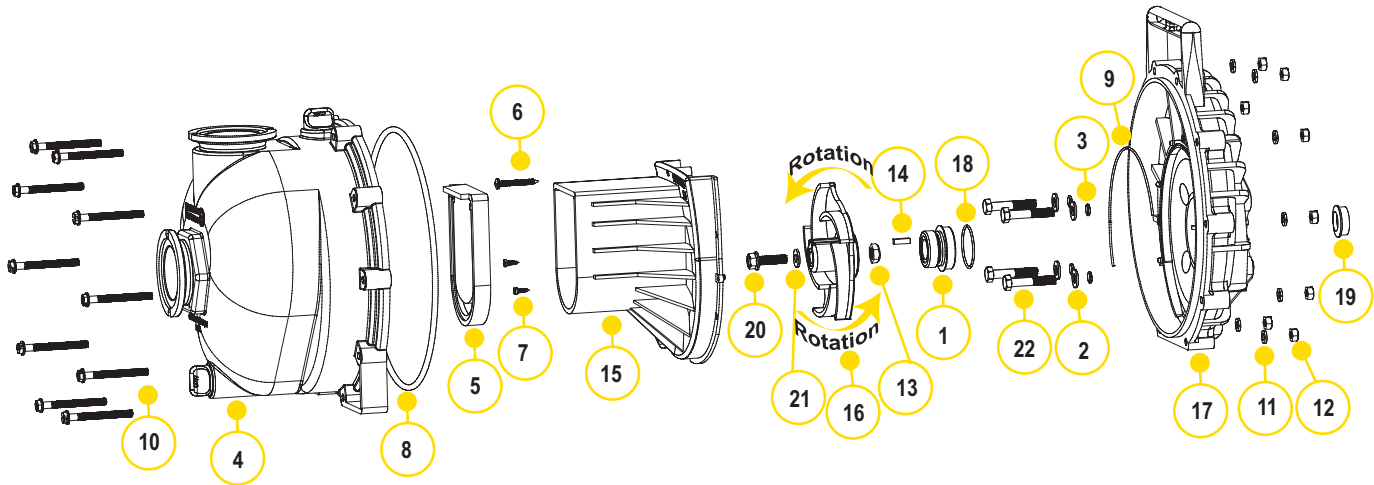


2" POLY MANIFOLD PUMP ONLY

| PART NO | DESCRIPTION | HP | QTY | SKID QTY |
|---------|------------------------------------------------------------|-----|-----|----------|
| M225PO | 2" POLY MANIFOLD PUMP ONLY W/ 3/4" SHAFT & 5 VANE IMPELLER | N/A | 1 | 27 |

CENTRIFUGAL PUMPS

2" POLY MANIFOLD PUMPS WITH GAS ENGINES



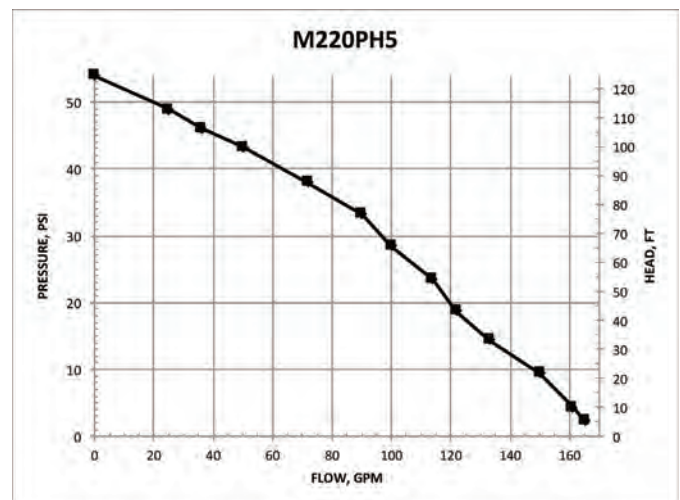
REPLACEMENT PARTS 2" POLY PUMPS

| ITEM | PART NO | DESCRIPTION | QTY |
|------|---------|---------------------------------------------------------------------|-----|
| 1 | 12713 | MECHANICAL SEAL ASSEMBLY | 1 |
| 2 | 12901 | SS REAR BRACKET WASHER | 4 |
| 3 | 12717 | O-RING FOR SCREW HEAD | 4 |
| 4 | M12712 | 2" FP MANIFOLD PUMP BODY ASSEMBLY | 1 |
| 5 | 12705 | POLY PUMP CHECK VALVE | 1 |
| 6 | 12900 | SS UPPER VOLUTE SCREW | 1 |
| 7 | 12725 | SS VOLUTE SCREWS | 2 |
| 8 | 12719A | BODY O-RING | 1 |
| 9 | 12754 | O-RING SEGMENT | 1 |
| 10 | 12720 | SS BODY SCREWS | 10 |
| 11 | V07018 | SS LOCK WASHERS | 10 |
| 12 | V07019 | SS BODY NUTS | 10 |
| 13 | 12775A | IMPELLER HEX NUT | 1 |
| 14 | 12902A | IMPELLER KEY | 1 |
| 15 | 12702A | POLY PUMP VOLUTE | 1 |
| 16 | 12772 | 5 VANE IMPELLER | 1 |
| 16 | 12771A | 3 VANE IMPELLER | 1 |
| 17 | 12703A | POLY PUMP REAR BRACKET | 1 |
| 18 | 12710 | O-RING FOR SEAL ASSEMBLY | 1 |
| 19 | 12716 | POLY PUMP SLINGER | 1 |
| 20 | 12765A | SS IMPELLER BOLT | 1 |
| 21 | A204 | O-RING | 1 |
| 22 | 12715A | SS BRACKET SCREWS | 4 |
| KIT | 12000A | POLY PUMP EPDM REPAIR KIT (ITEMS 2,4,7,8,14, 17,19,21,30, 12099) | 1 |
| KIT | 12000AV | POLY PUMP FKM REPAIR KIT (ITEMS 2,4,7,8,14, 17,19,21,30, 12099) | 1 |
| KIT | 12999A | PUMP SEAL/O-RING KIT (ITEMS 2,4,7,8,17,19,21,30, 12099) | 1 |
| KIT | 12999AV | FKM PUMP SEAL/O-RING KIT (ITEMS 4-7,8,10,18, 23 & 12099) | 1 |

KITS 2" POLY PUMPS

| PART NO | EPDM REPAIR KIT NO | FKM REPAIR KIT NO | EPDM SEAL KIT NO | FKM SEAL KIT NO |
|-----------|--------------------|-------------------|------------------|-----------------|
| M220PH5 | 12000A | 12000AV | 12999A | 12999AV |
| M220PH6 | 12000A | 12000AV | 12999A | 12999AV |
| M220P6PRO | 12000A | 12000AV | 12999A | 12999AV |
| M225PO | 12000A | 12000AV | 12999A | 12999AV |

SEE 12000A & 12000AV KIT DRAWING ON PAGE 99



CENTRIFUGAL PUMPS

2" POLY MANIFOLD WET SEAL PUMPS

FEATURES

- Run dry capability
- Double seal contained in ethylene glycol reservoir. Carbon ceramic seal faces with stainless steel cup and spring with EPDM rubber
- Pump end separated from engine
- Large weep holes between pump and engine
- V-shaped for quicker priming
- See pages 41-47 on manifold fittings for easy plumbing.



2" POLY MANIFOLD WET SEAL PUMPS W/GAS ENGINES

| PART NO | DESCRIPTION | HP | QTY | SKID QTY |
|----------|-------------------------------------------------------|-----|-----|----------|
| M220PH5W | 2" POLY MANIFOLD WET SEAL PUMP W/5.5 HP HONDA® ENGINE | 5.5 | 1 | 12 |



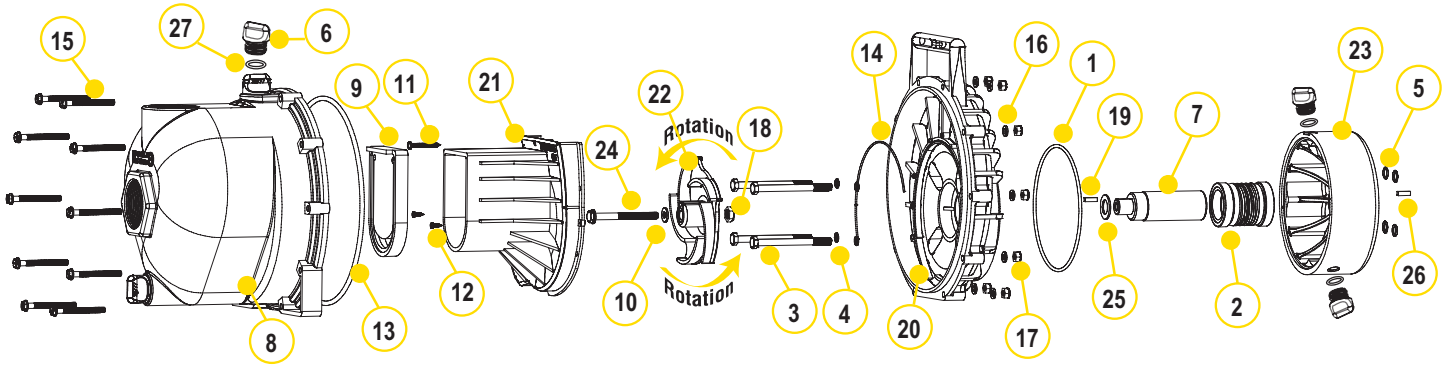
WARNING! DO NOT RUN PUMP DRY, RESTRICT OR REDUCE PORT SIZES OR DEAD HEAD PUMP



WARNING! DO NOT USE WITH FLAMMABLE LIQUIDS

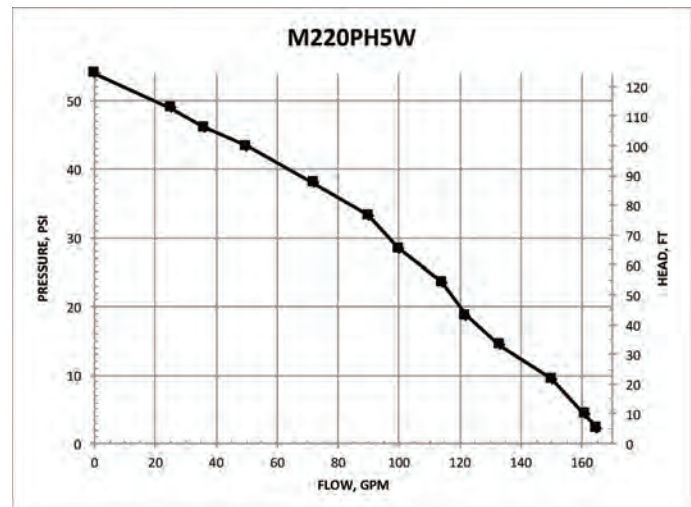
CENTRIFUGAL PUMPS

2" POLY MANIFOLD WET SEAL PUMPS



REPLACEMENT PARTS 2" POLY PUMPS

| ITEM | PART NO | DESCRIPTION | QTY |
|------|---------|------------------------------------------------------|-----|
| 1 | 13719 | O-RING | 1 |
| 2 | 15035E | EPDM MECHANICAL SEAL ASSEMBLY | 1 |
| 3 | 13034 | $\frac{5}{16}$ " -24 X 3 $\frac{3}{4}$ " HHCS | 4 |
| 4 | 12717 | O-RING FOR BRACKET SCREW | 4 |
| 5 | 12709 | O-RING | 4 |
| 6 | 12777 | $\frac{1}{2}$ " PLUG | 4 |
| 7 | 12155 | ADAPTER SHAFT | 1 |
| 8 | M12712 | 2" FP MANIFOLD PUMP BODY ASSEMBLY | 1 |
| 9 | 12705 | CHECK VALVE | 1 |
| 10 | A204 | IMPELLER BOLT GASKET | 1 |
| 11 | 12900 | #10 X 1 $\frac{1}{2}$ " PPH SMS | 1 |
| 12 | 12725 | #6 X $\frac{1}{2}$ " PPH SMS | 2 |
| 13 | 12719A | BODY O-RING | 1 |
| 14 | 12754 | O-RING SEGMENT | 1 |
| 15 | 12720 | $\frac{1}{4}$ " - 20 X 2 $\frac{1}{2}$ " SL IND HWHS | 10 |
| 16 | V07018 | $\frac{1}{4}$ " LOCK WASHER | 10 |
| 17 | V07019 | $\frac{1}{4}$ " - 20 HEX NUT | 10 |
| 18 | 12775A | $\frac{7}{16}$ " - 14 HEX NUT | 1 |
| 19 | 12902A | $\frac{3}{16}$ " SQ. X $\frac{5}{8}$ " KEY | 2 |
| 20 | 12707W | WET SEAL REAR BRACKET | 1 |
| 21 | 12702A | VOLUTE | 1 |
| 22 | 12772 | 5 VANE IMPELLER | 1 |
| 23 | 12202W | WET SEAL RESERVOIR | 1 |
| 24 | 12766 | $\frac{5}{16}$ " - 24 X 3 $\frac{1}{4}$ " HFS | 1 |
| 25 | CV10175 | GASKET | 1 |
| 26 | 12902A | $\frac{1}{4}$ " SQ. $\frac{3}{4}$ " KEY STOCK | 1 |
| 27 | UV15163 | O-RING FOR DRAIN PLUG | 4 |



CENTRIFUGAL PUMPS

3" POLY PUMPS

FEATURES

- Pump end separated from engine
- Large weep holes between pump and engine
- V-shaped for quicker priming
- Pump only comes unassembled



3" POLY PUMPS W/GAS ENGINES

| PART NO | DESCRIPTION | HP | QTY | SKID QTY |
|-----------|----------------------------------------------------------------------------------------|-----|-----|----------|
| 300PH-6 | 3" POLY PUMP W/6.5 HP HONDA® ENGINE | 6.5 | 1 | 16 |
| 300P11PRO | 3" POLY PUMP W/11 HP BRIGGS & STRATTON® ENGINE PRO SERIES W/ELECTRIC START & PULL ROPE | 11 | 1 | 8 |



WARNING! DO NOT RUN PUMP DRY, RESTRICT OR REDUCE PORT SIZES OR DEAD HEAD PUMP



WARNING! DO NOT USE WITH FLAMMABLE LIQUIDS



3" POLY BEARING PEDESTAL

| PART NO | DESCRIPTION | HP | QTY | SKID QTY |
|---------|----------------------------------------------------------|-----|-----|----------|
| 300PB | 3" POLY BEARING PEDESTAL W/ 3/4" SHAFT & 4 VANE IMPELLER | N/A | 1 | 18 |

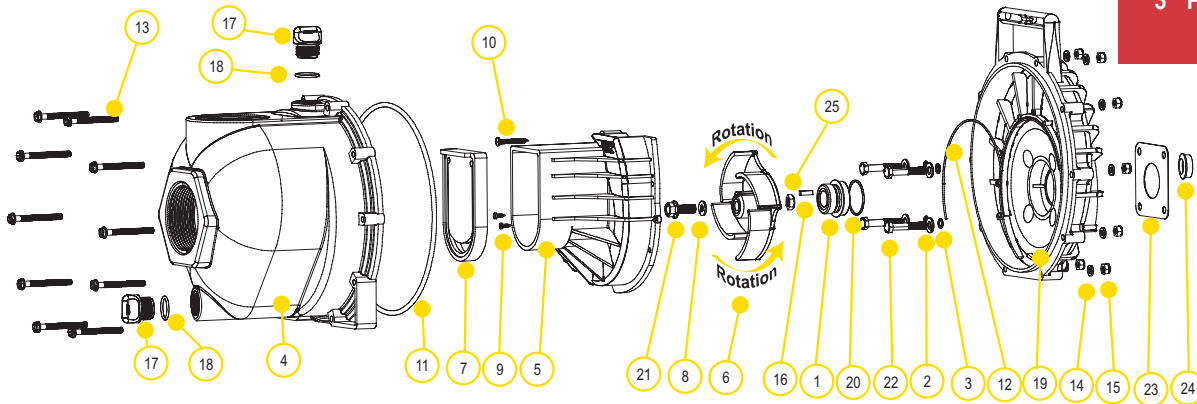


3" POLY PUMP ONLY

| PART NO | DESCRIPTION | HP | QTY | SKID QTY |
|---------|---------------------------------------------------|-----|-----|----------|
| 300PO | 3" POLY PUMP ONLY W/ 3/4" SHAFT & 4 VANE IMPELLER | N/A | 1 | 27 |

CENTRIFUGAL PUMPS

3" POLY PUMPS



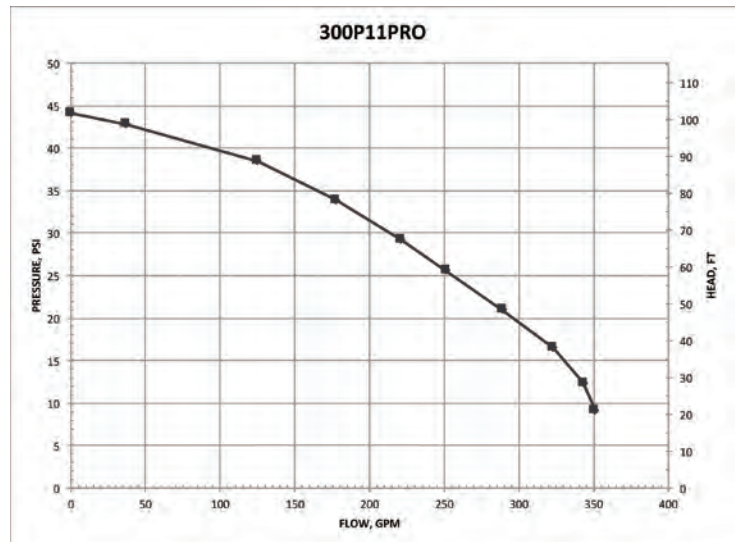
REPLACEMENT PARTS 3" POLY PUMPS

| ITEM | PART NO | DESCRIPTION | QTY |
|------|---------|-----------------------------------------------------------------------------|-----|
| 1 | 12713 | SEAL ASSEMBLY | 1 |
| 2 | 12901 | SS REAR BRACKET WASHER | 1 |
| 3 | 12717 | O-RING FOR SCREW HEAD | 1 |
| 4 | 13712 | BODY ASSEMBLY | 1 |
| 5 | 13702 | POLY PUMP VOLUTE | 1 |
| 6 | 13771 | 4 VANE TRIMMED IMPELLER (300PH-6, 300PB & 300PO) | 1 |
| 6 | 13772 | 4 VANE IMPELLER (300P11PRO) | 1 |
| 7 | 12705 | CHECK VALVE | 1 |
| 8 | A204 | O-RING | 1 |
| 9 | 12900 | SS UPPER VOLUTE SCREW | 1 |
| 10 | 12725 | SS VOLUTE SCREWS | 1 |
| 11 | 12719A | BODY O-RING | 1 |
| 12 | 12754 | O-RING SEGMENT | 1 |
| 13 | 12720 | SS BODY SCREWS | 1 |
| 14 | V07018 | SS LOCK WASHERS | 1 |
| 15 | V07019 | SS BODY NUTS | 1 |
| 16 | 12902A | IMPELLER KEY | 1 |
| 17 | 13777 | 3/4" PLUG | 1 |
| 18 | 13778 | O-RING | 1 |
| 19 | 12703A | POLY PUMP REAR BRACKET | 1 |
| 20 | 12710 | O-RING FOR SEAL ASSEMBLY | 1 |
| 21 | 12765A | SS IMPELLER BOLT 3/16 X 24 X 1.12 (300PH-6) | 1 |
| 21 | 13765 | SS IMPELLER BOLT 3/8 X 24 X 1.75 (300P11PRO) | 1 |
| 22 | 12715A | SS BRACKET SCREWS | 1 |
| 23 | 15751 | REAR BRACKET SHIM | 1 |
| 24 | 12716 | POLY PUMP SLINGER | 1 |
| 25 | 12775A | IMPELLER HEX NUT | 1 |
| N/S | 12882A | BEARING PEDESTAL | 1 |
| N/S | 12099 | 7/16"-14 X 1.25" HHCS | 1 |
| N/S | 12000A | POLY PUMP EPDM REPAIR KIT (ITEMS 1, 3, 6-8, 11, 12, 16, 18, 20, 24 & 12099) | 1 |
| N/S | 13999 | PUMP SEAL/O-RING KIT (ITEMS 1, 3, 8, 11, 12, 18, 20, 24 & 12099) | 1 |

KITS 3" POLY PUMPS

| PART NO | EPDM REPAIR KIT NO | EPDM SEAL KIT NO |
|-----------|--------------------|------------------|
| 300PH-6 | 12000A | 13999 |
| 300P11PRO | N/A | 13999 |
| 300PB | 12000A | 13999 |
| 300PO | 12000A | 13999 |

SEE 12000A KIT DRAWING ON PAGE 99



CENTRIFUGAL PUMPS

3" POLY MANIFOLD PUMPS

FEATURES

- Pump end separated from engine
- Large weep holes between pump and engine
- V-shaped for quicker priming
- Pump only comes unassembled
- See pages 41-47 on manifold fittings for easy plumbing.



3" POLY MANIFOLD PUMPS W/GAS ENGINES

| PART NO | DESCRIPTION | HP | QTY | SKID QTY |
|------------|------------------------------------------------------------------------------------------|-----|-----|----------|
| M300PH6 | 3" POLY MANIFOLD PUMP W/6.5 HP HONDA® ENGINE | 6.5 | 1 | 12 |
| M300P11PRO | 3" POLY MANIFOLD PUMP W/11 HP BRIGGS & STRATTON® PRO SERIES W/ELECTRIC START & PULL ROPE | 11 | 1 | 12 |



WARNING! DO NOT RUN PUMP DRY, RESTRICT OR REDUCE PORT SIZES OR DEAD HEAD PUMP



WARNING! DO NOT USE WITH FLAMMABLE LIQUIDS



3" POLY MANIFOLD BEARING PEDESTAL

| PART NO | DESCRIPTION | HP | QTY | SKID QTY |
|---------|-------------------------------------------------------------------|-----|-----|----------|
| M300PB | 3" POLY MANIFOLD BEARING PEDESTAL W/ 3/4" SHAFT & 4 VANE IMPELLER | N/A | 1 | 18 |

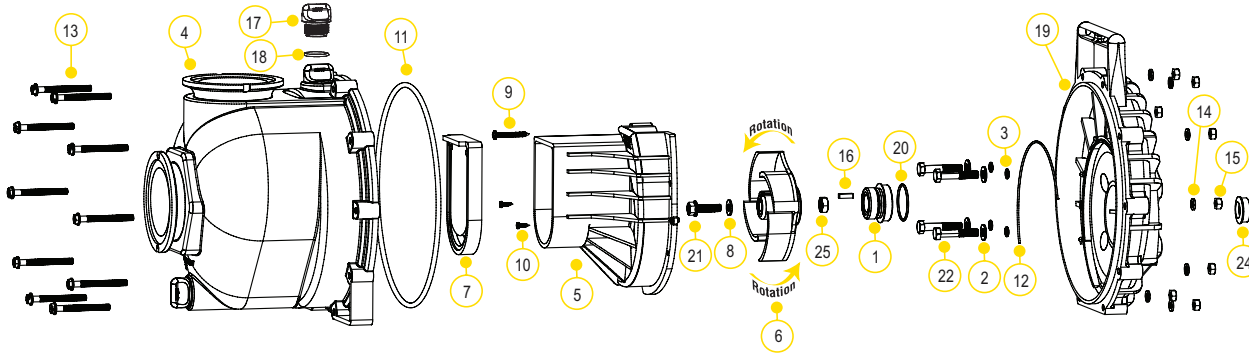


3" POLY MANIFOLD PUMP ONLY

| PART NO | DESCRIPTION | HP | QTY | SKID QTY |
|---------|------------------------------------------------------------|-----|-----|----------|
| M300PO | 3" POLY MANIFOLD PUMP ONLY W/ 3/4" SHAFT & 4 VANE IMPELLER | N/A | 1 | 27 |

CENTRIFUGAL PUMPS

3" POLY MANIFOLD PUMPS

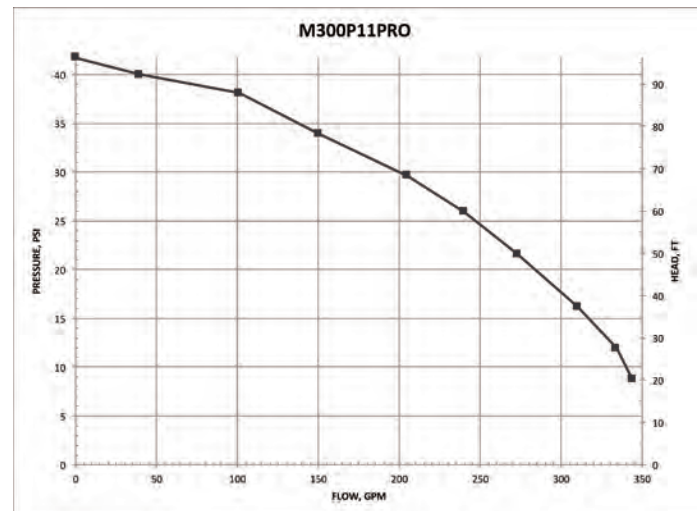


REPLACEMENT PARTS 3" POLY MANIFOLD PUMPS

| ITEM | PART NO | DESCRIPTION | QTY |
|------|---------|--------------------------------------------------------------------------------|-----|
| 1 | 12713 | SEAL ASSEMBLY | 1 |
| 2 | 12901 | SS REAR BRACKET WASHER | 4 |
| 3 | 12717 | O-RING FOR SCREW HEAD | 4 |
| 4 | M13712 | MANIFOLD BODY ASSEMBLY | 1 |
| 5 | 13702 | POLY PUMP VOLUTE | 1 |
| 6 | 13771 | 4 VANE TRIMMED IMPELLER (M300PH-6, M300PB & M300PO) | 1 |
| 6 | 13772 | 4 VANE IMPELLER (M300P11PRO) | 1 |
| 7 | 12705 | CHECK VALVE | 1 |
| 8 | A204 | O-RING | 1 |
| 9 | 12900 | SS UPPER VOLUTE SCREW | 4 |
| 10 | 12725 | SS VOLUTE SCREWS | 2 |
| 11 | 12719A | BODY O-RING | 1 |
| 12 | 12754 | O-RING SEGMENT | 1 |
| 13 | 12720 | SS BODY SCREWS | 10 |
| 14 | V07018 | SS LOCK WASHERS | 10 |
| 15 | V07019 | SS BODY NUTS | 10 |
| 16 | 12902A | IMPELLER KEY | 1 |
| 17 | 13777 | 3/4" PLUG | 2 |
| 18 | 13778 | O-RING | 2 |
| 19 | 12703A | POLY PUMP REAR BRACKET | 1 |
| 20 | 12710 | O-RING FOR SEAL ASSEMBLY | 1 |
| 21 | 12765A | SS IMPELLER BOLT 5/16 X 24 X 1.12 (-6) | 1 |
| 21 | 13765 | SS IMPELLER BOLT 3/8 X 24 X 1.75 (M300P11PRO) | 1 |
| 22 | 12715A | SS BRACKET SCREWS | 4 |
| 23 | 15751 | REAR BRACKET SHIM | 1 |
| 24 | 12716 | POLY PUMP SLINGER | 1 |
| 25 | 12775A | IMPELLER HEX NUT | 1 |
| N/S | 12882A | BEARING PEDESTAL | 1 |
| N/S | 12099 | 7/16"-14 X 1.25" HHCS | 1 |
| N/S | 12000A | POLY PUMP EPDM REPAIR KIT (ITEMS 1, 3, 6-8, 11, 12, 16, 18, 20, 24 & 12099) | 1 |
| N/S | 13999 | PUMP SEAL/O-RING KIT (ITEMS 1, 3, 8, 11, 12, 18, 20, 24 & 12099) | 1 |

KITS 3" POLY PUMPS

| PART NO | EPDM REPAIR KIT NO | EPDM SEAL KIT NO |
|------------|--------------------|------------------|
| M300PH6 | 12000A | 13999 |
| M300P11PRO | N/A | 13999 |
| M300PB | 12000A | 13999 |
| M300PO | 12000A | 13999 |



CENTRIFUGAL PUMPS

3" POLY PUMPS WITH HYDRAULIC MOTORS

FEATURES

- Precision molded construction
- Lightweight
- Corrosion resistant
- Low maintenance
- Hydraulic fluid capacity is minimum 6 gallons and maximum 10 gallons
- Open or closed system
- 3600 R.P.M.
- Recommendation to use the motor spool control valve or a suitable equivalent. The lack of such a valve in this circuit may cause failure to the hydraulic motor.



3" POLY PUMPS W/HYDRAULIC MOTORS

| PART NO | DESCRIPTION | HP | QTY | SKID QTY |
|---------|---------------------------------------------------------------|-----|-----|----------|
| 300PHY | 3" POLY PUMP W/12 HP H YDRAULIC MOTOR | 12 | 1 | 18 |
| 300PHYW | 3" POLY WET SEAL PUMP W/12 HP HYDRAULIC MOTOR | 12 | 1 | 12 |
| 305PHAW | 3" POLY WET SEAL PUMP W/5 VANE IMPELLER W/OUT HYDRAULIC MOTOR | N/A | 1 | 18 |

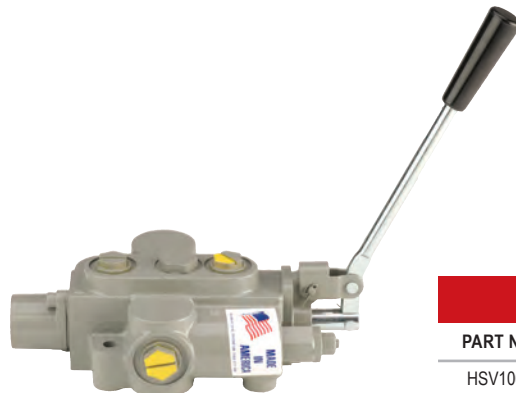
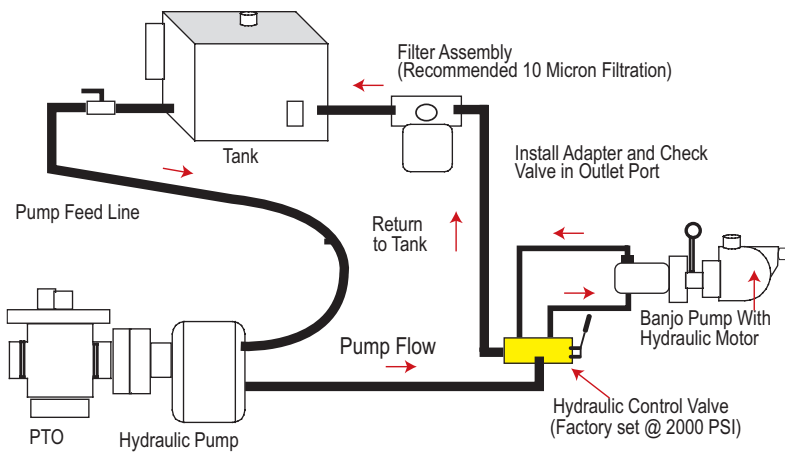


WARNING! DO NOT RUN PUMP DRY, RESTRICT OR REDUCE PORT SIZES OR DEAD HEAD PUMP



WARNING! DO NOT USE WITH FLAMMABLE LIQUIDS

SPOOL VALVE ASSEMBLY DIAGRAM

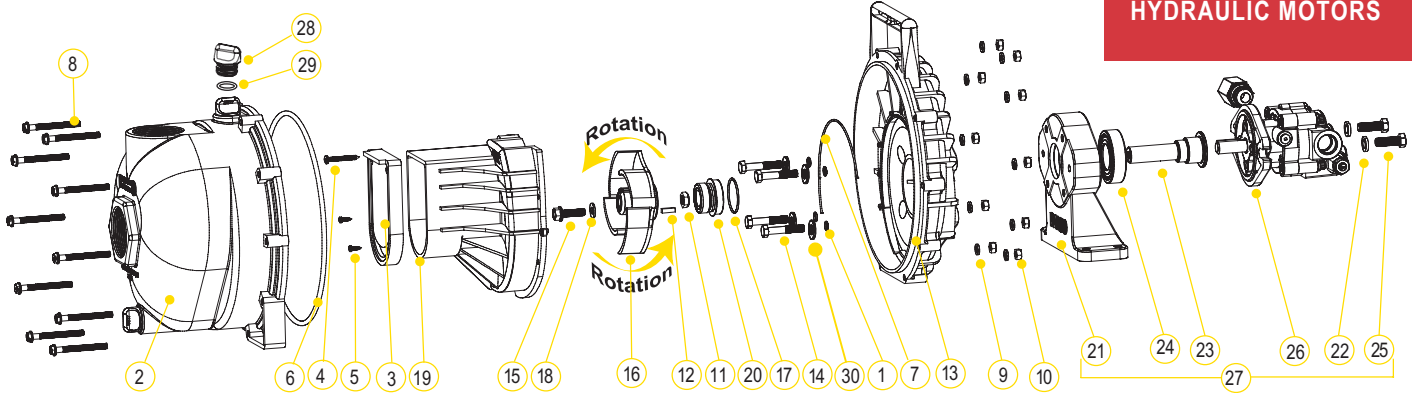


HYDRAULIC MOTOR SPOOL VALVE

| PART NO | DESCRIPTION | HP | QTY |
|---------|-----------------------------|-----|-----|
| HSV1000 | HYDRAULIC MOTOR SPOOL VALVE | N/A | 1 |

CENTRIFUGAL PUMPS

3" POLY PUMPS WITH HYDRAULIC MOTORS



REPLACEMENT PARTS 3" POLY PUMPS

| ITEM | PART NO | DESCRIPTION | QTY |
|------|---------|---------------------------------------------------------------------|-----|
| 1 | 12717 | O-RING FOR SCREW HEADS | 4 |
| 2 | 13712 | BODY ASSEMBLY | 1 |
| 3 | 12705 | CHECK VALVE | 1 |
| 4 | 12900 | SS UPPER VOLUTE SCREW | 4 |
| 5 | 12725 | SS VOLUTE SCREWS | 2 |
| 6 | 12719A | BODY O-RING | 1 |
| 7 | 12754 | O-RING SEGMENT | 1 |
| 8 | 12720 | SS BODY SCREWS | 10 |
| 9 | V07018 | SS LOCK WASHERS | 10 |
| 10 | V07019 | SS BODY NUTS | 10 |
| 11 | 12775A | IMPELLER HEX NUT | 1 |
| 12 | 12902A | IMPELLER KEY | 1 |
| 13 | 12703A | POLY PUMP REAR BRACKET | 1 |
| 14 | 12715A | 5/16"-24 X 1.75" HHCS | 4 |
| 15 | 12765A | SS IMPELLER BOLT | 1 |
| 16 | 13772 | TRIMMED 4 VANE IMPELLER | 1 |
| 17 | 12710 | O-RING FOR SEAL ASSEMBLY | 1 |
| 18 | A204 | O-RING | 1 |
| 19 | 13702 | POLY PUMP VOLUTE | 1 |
| 20 | 12713 | MECHANICAL SEAL ASSEMBLY | 1 |
| 21 | 12049F | HYDRAULIC PEDESTAL HOUSING (MUST ORDER 17056E & 12055E) | 1 |
| 22 | V20018 | 3/8" LOCK WASHER | 2 |
| 23 | 12055E | ADAPTER SHAFT | 1 |
| 24 | 17056E | BEARING | 1 |
| 25 | 18010SS | 3/8" - 16 X 1 1/8" SS CAP SCREW HXHD | 2 |
| 26 | HY1013 | HYDRAULIC MOTOR | 1 |
| 27 | 12600B | COMPLETE HYDRAULIC ASSEMBLY | 1 |
| 28 | 13777 | 3/4" PLUG | 2 |
| 29 | 13778 | O-RING | 2 |
| 30 | 12901 | SS REAR BRACKET WASHER (300PHY) | 4 |
| N/S | HY1003 | HYDRAULIC MOTOR SEAL KIT | 1 |
| KIT | 12000A | POLY PUMP EPDM REPAIR KIT (ITEMS 1, 3, 6, 7, 16, 18, 20, 29, 12099) | 1 |
| KIT | 13999 | PUMP SEAL/O-RING KIT (ITEMS 2,4,7-8,16,18,19, 21, 30, 12099) | 1 |

KITS 3" POLY PUMPS

| PART NO | EPDM REPAIR KIT NO | EPDM SEAL KIT NO | HYDRAULIC MOTOR SEAL KIT |
|---------|--------------------|------------------|--------------------------|
| 300PHY | 12000A | 13999 | HY1003 |

HYDRAULIC MOTOR DATA

| | |
|------------------------|------------------------|
| U.S. GALLONS/REV. | 0.0025 |
| CUBIC INCHES/REV. | 0.580 |
| LITERS/REV. | 0.0097 |
| MAX HYDRAULIC PRESSURE | 2000 PSI |
| MIN HYDRAULIC PRESSURE | 200 PSI |
| INLET PORT | SAE 10 (7/8-14 UNF-2B) |
| OUTLET PORT | SAE 10 (7/8-14 UNF-2B) |
| MINIMUM GPM REQUIRED | 6 GPM 2400 RPM |
| MAXIMUM GPM REQUIRED | 10 GPM 4000 RPM |
| IDEAL GPM REQUIRED | 9 GPM 3600 RPM |

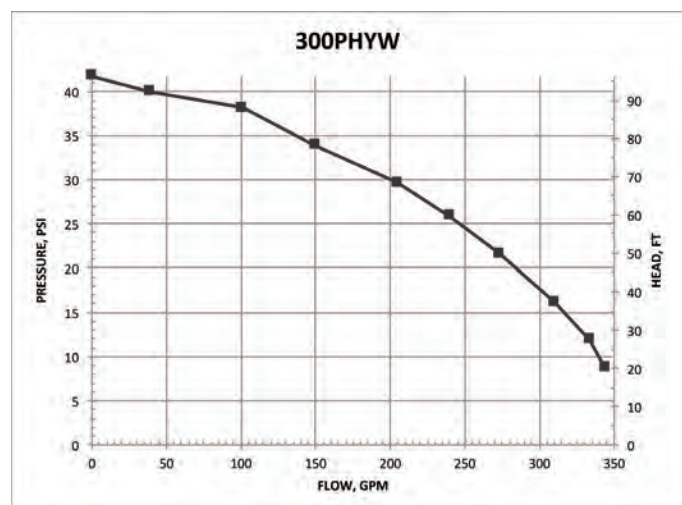
CONNECTION INFORMATION

| | |
|--------|----------|
| INLET | "A" PORT |
| OUTLET | "B" PORT |

SUPPLIED CHECK VALVE IS TO ENSURE PROPER ROTATION OF THE BANJO PUMP. PLACE CHECK VALVE IN OUTLET PORT (MARKED "B") FOR PROPER RIGHT HAND ROTATION.

SPOOL VALVE INFORMATION

| | |
|--------------------------|----------------------------|
| REQUIRED OUTLET FLOW | MIN 6 GPM / MAX 10 GPM |
| REQUIRED SYSTEM PRESSURE | MIN 600 PSI / MAX 3000 PSI |



CENTRIFUGAL PUMPS

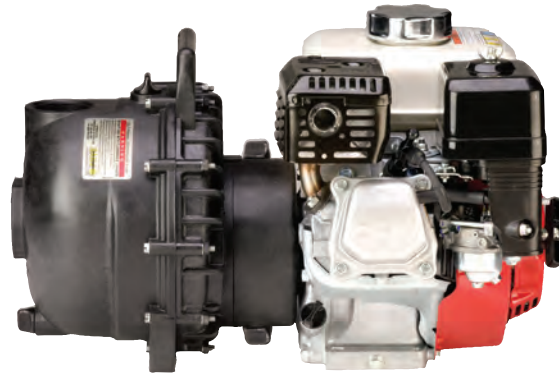
3" POLY WET SEAL PUMPS

FEATURES

- Run dry capability
- Double seal contained in ethylene glycol reservoir. Carbon ceramic seal faces with stainless steel cup and spring with EPDM rubber.
- V-shaped for quicker priming
- Engine warranty service available at authorized Briggs & Stratton® and Honda® dealers
- Due to weight and size of pumps, Banjo ships these by truck only.



WARNING! DO NOT USE WITH FLAMMABLE LIQUIDS



3" POLY WET SEAL PUMPS W/GAS ENGINES

| PART NO | DESCRIPTION | HP | QTY | SKID QTY |
|------------|-------------------------------------------------------------------------------------------------|----|-----|----------|
| 300PH6W | 3" POLY WET SEAL PUMP W/6 HP HONDA® ENGINE | 6 | 1 | 12 |
| 300P11PROW | 3" POLY WET SEAL PUMP W/11 HP BRIGGS & STRATTON® ENGINE PRO SERIES W/ELECTRIC START & PULL ROPE | 11 | 1 | 8 |
| 300PH13W | 3" POLY WET SEAL PUMP W/13 HP HONDA® ENGINE W/ELECTRIC START & PULL ROPE | 13 | 1 | 8 |



3" POLY WET SEAL BEARING PEDESTAL

| PART NO | DESCRIPTION | HP | QTY | SKID QTY |
|---------|-------------------------------------------------------------------|-----|-----|----------|
| 300PBW | 3" POLY WET SEAL BEARING PEDESTAL W/ 3/4" SHAFT & 4 VANE IMPELLER | N/A | 1 | 27 |

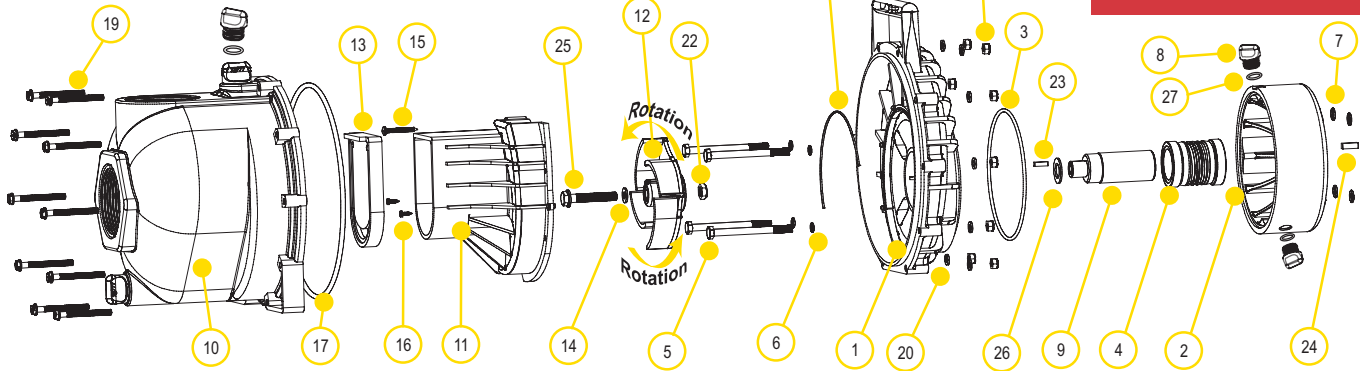


3" POLY WET SEAL PUMP ONLY

| PART NO | DESCRIPTION | HP | QTY | SKID QTY |
|---------|-------------------------------------------|-----|-----|----------|
| 300POW | 3" POLY WET SEAL PUMP ONLY FOR 1" SHAFT | N/A | 1 | 27 |
| 300POW6 | 3" POLY WET SEAL PUMP ONLY FOR 3/4" SHAFT | N/A | 1 | 27 |

CENTRIFUGAL PUMPS

3" POLY WET SEAL PUMPS

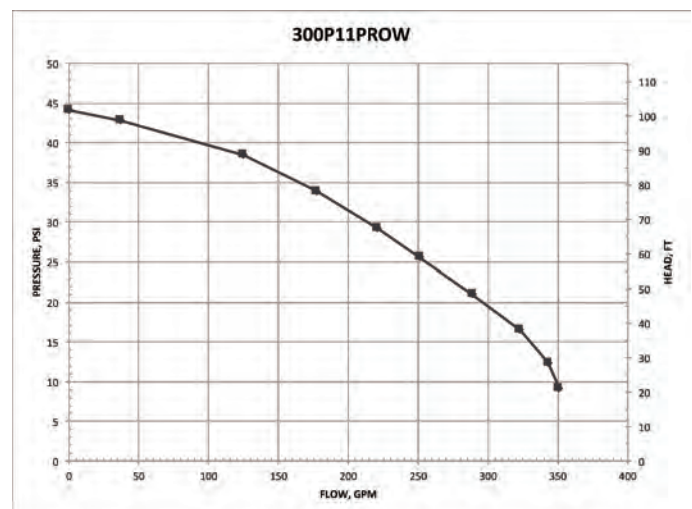


REPLACEMENT PARTS 3" POLY PUMPS

| ITEM | PART NO | DESCRIPTION | QTY |
|------|---------|----------------------------------------|-----|
| 1 | 12703AW | WET SEAL REAR BRACKET | 1 |
| 2 | 12201W | WET SEAL RESERVOIR | 1 |
| 2 | 12202W | WET SEAL RESERVOIR (300POW6) | 1 |
| 3 | 13719 | O-RING | 1 |
| 3 | 13719V | FKM O-RING (301POWV) | 1 |
| 4 | 15035E | EPDM MECHANICAL SEAL ASSEMBLY | 1 |
| 4 | 15035 | MECHANICAL SEAL ASSEMBLY (301POWV) | 1 |
| 5 | 13034 | 5/16" -24 X 3 3/4" HHCS | 4 |
| 6 | 12717 | O-RING FOR BRACKET SCREW | 4 |
| 6 | 12717V | FKM O-RING FOR BRACKET SCREW (301POWV) | 4 |
| 7 | 12709 | O-RING | 4 |
| 7 | 12709V | FKM O-RING (301POWV) | 4 |
| 8 | 12777 | 1/2" PLUG | 4 |
| 9 | 13055 | ADAPTER SHAFT (300PH6W & 300PH13W) | 1 |
| 9 | N/A | ADAPTER SHAFT (300P11PROW & 301POWV) | 1 |
| 9 | 12155 | ADAPTER SHAFT (300PH6W) | 1 |
| 10 | 13712 | BODY ASSEMBLY | 1 |
| 10 | 13712 | FKM BODY ASSEMBLY (301POWV) | 1 |
| 11 | 13702 | VOLUTE | 1 |
| 12 | 13772 | 4 VANE IMPELLER | 1 |
| 12 | 13771 | TRIMMED IMPELLER (300POW6) | 1 |
| 13 | 12705 | CHECK VALVE | 1 |
| 13 | 12705V | FKM CHECK VALVE (301POWV) | 1 |
| 14 | A204 | IMPELLER BOLT GASKET | 1 |
| 14 | A204V | FKM IMPELLER BOLT GASKET (301POWV) | 1 |
| 15 | 12900 | #10 X 1 1/2" PPH SMS | 1 |
| 16 | 12725 | #6 X 1 1/2" PPH SMS | 2 |
| 17 | 13719 | BODY O-RING | 1 |
| 17 | 13719V | FKM BODY O-RING (301POWV) | 1 |
| 18 | 12754 | O-RING SEGMENT | 1 |
| 18 | 12754V | FKM O-RING SEGMENT (301POWV) | 1 |
| 19 | 12720 | 1/4" - 20 X 2 1/2" SL IND HWHS | 10 |
| 20 | V07018 | 1/4" LOCK WASHER | 10 |
| 21 | V07019 | 1/4" - 20 HEX NUT | 10 |
| 22 | 12775A | 7/16" - 14 HEX NUT | 1 |
| 23 | 12902A | 3/16" SQ. X 5/8" KEY | 2 |
| 24 | 16901 | 1/4" SQUARE KEY | 1 |
| 25 | 13766 | 3/8-24 X 2 1/4" HFS | 1 |

REPLACEMENT PARTS 3" POLY PUMPS

| ITEM | PART NO | DESCRIPTION | QTY |
|------|----------|-------------------------------------|-----|
| 26 | CV10175 | GASKET | 1 |
| 26 | CV10175V | FKM GASKET (301POWV) | 1 |
| 27 | UV15163 | O-RING FOR DRAIN PLUG | 4 |
| 27 | UV15163V | FKM O-RING FOR DRAIN PLUG (301POWV) | 4 |



CENTRIFUGAL PUMPS

3" POLY MANIFOLD WET SEAL PUMPS

FEATURES

- Run dry capability
- Double seal contained in ethylene glycol reservoir. Carbon ceramic seal faces with stainless steel cup and spring with EPDM rubber
- Pump end separated from engine
- V-shaped for quicker priming
- Engine warranty service available at authorized dealers
- See pages 41-47 on manifold fittings for easy plumbing.



3" POLY MANIFOLD WET SEAL PUMPS W/GAS ENGINES

| PART NO | DESCRIPTION | HP | QTY | SKID QTY |
|----------|-----------------------------------------------------|----|-----|----------|
| M300PH6W | 3" POLY MANIFOLD WET SEAL PUMP W/6 HP HONDA® ENGINE | 6 | 1 | 12 |



3" POLY MANIFOLD WET SEAL PUMP ONLYS

| PART NO | DESCRIPTION | HP | QTY | SKID QTY |
|----------|----------------------------------------------------|-----|-----|----------|
| M300POW6 | 3" POLY MANIFOLD WET SEAL PUMP ONLY FOR 3/4" SHAFT | N/A | 1 | 27 |



3" POLY MANIFOLD WET SEAL PUMP W/HYDRAULIC

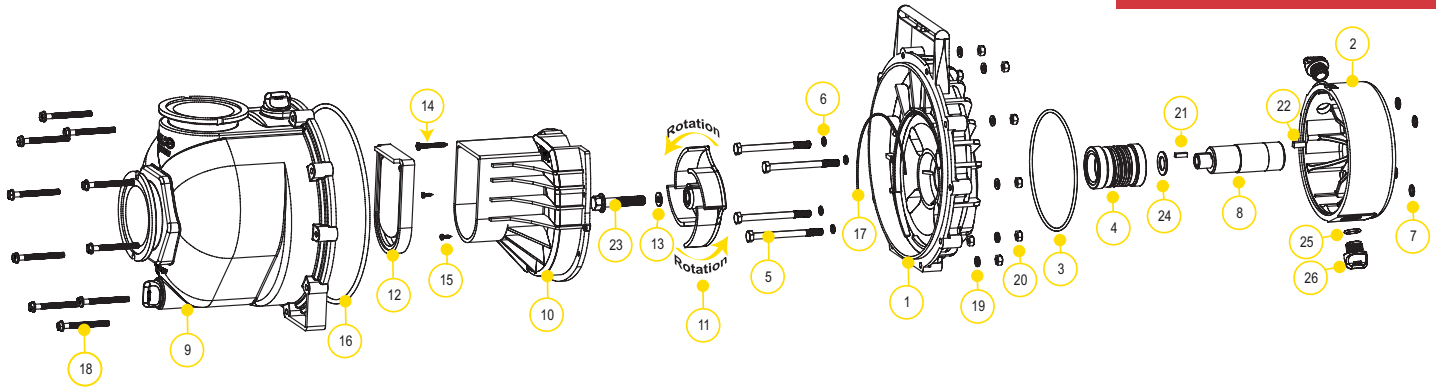
| PART NO | DESCRIPTION | HP | QTY | SKID QTY |
|----------|--------------------------------------------------|-----|-----|----------|
| M305PHYW | 3" POLY MANIFOLD WET SEAL PUMP W/HYDRAULIC MOTOR | N/A | 1 | 12 |



WARNING! DO NOT USE WITH FLAMMABLE LIQUIDS

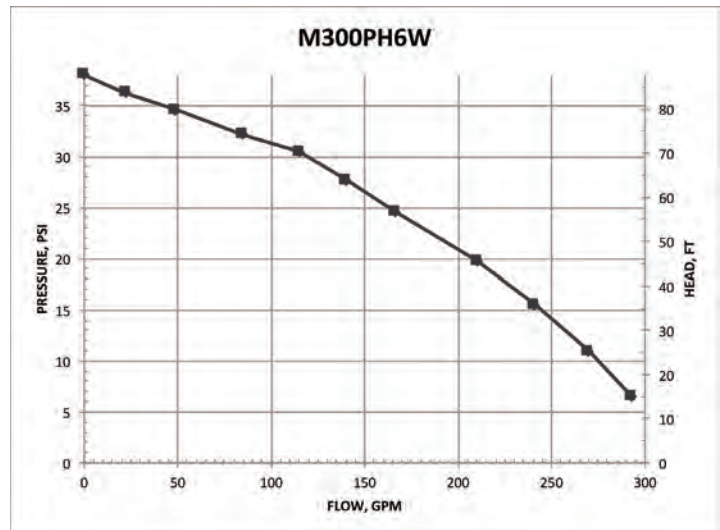
CENTRIFUGAL PUMPS

3" POLY MANIFOLD WET SEAL PUMPS



REPLACEMENT PARTS 3" POLY PUMPS

| ITEM | PART NO | DESCRIPTION | QTY |
|------|---------|-----------------------------------------------------------------|-----|
| 1 | 12707W | WET SEAL REAR BRACKET FOR 6 HP HONDA® ENGINE & BEARING PEDESTAL | 1 |
| 2 | 12202W | WET SEAL RESERVOIR FOR 6 HP HONDA® ENGINE & BEARING PEDESTAL | 1 |
| 3 | 13719 | O-RING | 1 |
| 4 | 15035E | MECHANICAL SEAL ASSEMBLY EPDM | 1 |
| 5 | 13034 | 5/16" - 24 X 3 3/4" HHCS | 4 |
| 6 | 12717 | O-RING FOR BRACKET SCREW | 4 |
| 7 | 12709 | O-RING | 4 |
| 8 | 12155 | ADAPTER SHAFT FOR 6 HP HONDA® ENGINE & BEARING PEDESTAL | 1 |
| 9 | M13712 | MANIFOLD BODY ASSEMBLY | 1 |
| 10 | 13702 | VOLUTE | 1 |
| 11 | 13772 | 4 VANE IMPELLER | 1 |
| 12 | 12705 | CHECK VALVE | 1 |
| 13 | A204 | O-RING | 1 |
| 14 | 12900 | #10 X 1 1/2" PPH SMS 18-8 SS | 1 |
| 15 | 12725 | #6 X 1 1/2" PPH SMS 18-8 SS | 1 |
| 16 | 12719A | BODY O-RING | 1 |
| 17 | 12754 | O-RING SEGMENT | 1 |
| 18 | 12720 | 1/4" - 20 X 2 1/2" SL IND HWHS | 10 |
| 19 | V07018 | 1/4" LOCK WASHER | 10 |
| 20 | V07019 | 1/4" - 20 HEX NUT | 10 |
| 21 | 12902A | 3/16" SQ. X 3/8" KEY | 1 |
| 22 | 16901 | 1/4" SQ. 3/4" KEY STOCK | 1 |
| 23 | 12766 | 5/16"-24 X 3 3/4" HFS FOR 6 HP HONDA® ENGINE & BEARING PEDESTAL | 1 |
| 24 | CV10175 | GASKET | 1 |
| 25 | UV15163 | O-RING | 2 |
| 26 | 12777 | 1/2" PLUG | 2 |



CENTRIFUGAL PUMPS

3" POLY M350 MANIFOLD WET SEAL PUMPS

FEATURES

- 500+ Gallons per Minute
- Polymer components molded from polypropylene
- EPDM seals
- All stainless steel hardware
- Tandem wet seal design
- Produces less wear
- Prevents seal breakage from high pressure clean out
- Eliminates eight leak points
- Works with natural system pressure to keep seal intact
- No exposed moving parts
- Typical operating speed: 3600 RPM
- Run dry capability of greater than one hour.
- Capable of handling occasional solid particles in suspension up to 1/2" in diameter.
- Maximum self-priming height 25 ft (7.6 m) for hydraulic version
- (0.422" priming hole); 28 ft (8.5 m) for standard version (0.250" priming hole)
- Engine warranty service available at authorized dealers
- See pages 41-47 on manifold fittings for easy plumbing.



WARNING! DO NOT USE WITH FLAMMABLE LIQUIDS



3" POLY MANIFOLD WET SEAL PUMPS W/GAS ENGINES

| PART NO | DESCRIPTION | HP | QTY | SKID QTY |
|-------------|---------------------------------------------------------|----|-----|----------|
| M350PVAN14W | 3" POLY MANIFOLD WET SEAL PUMP W/14 HP VANGUARD® ENGINE | 14 | 1 | 6 |



3" POLY MANIFOLD WET SEAL PUMPS W/GAS ENGINES

| PART NO | DESCRIPTION | HP | QTY | SKID QTY |
|-----------|------------------------------------------------------|----|-----|----------|
| M350PH13W | 3" POLY MANIFOLD WET SEAL PUMP W/13 HP HONDA® ENGINE | 13 | 1 | 6 |



3" POLY MANIFOLD WET SEAL PUMP W/ELECTRIC MOTOR

| PART NO | DESCRIPTION | HP | QTY | SKID QTY |
|-----------|-------------------------------------------------------|-----|-----|----------|
| M350PE15W | 3" POLY MANIFOLD WET SEAL PUMP W/15 HP ELECTRIC MOTOR | N/A | 1 | 1 |

CENTRIFUGAL PUMPS

3" POLY M350 MANIFOLD WET SEAL PUMPS



3" POLY MANIFOLD WET SEAL PUMP ONLYS

| PART NO | DESCRIPTION | HP | QTY | SKID QTY |
|----------|--------------------------------------------------------------|-----|-----|----------|
| M350POW | 3" POLY MANIFOLD WET SEAL PUMP ONLY FOR 1" SHAFT GAS ENGINES | N/A | 1 | 27 |
| M350PEOW | 3" POLY MANIFOLD WET SEAL PUMP ONLY FOR ELECTRIC MOTOR | N/A | 1 | 27 |



3" POLY MANIFOLD WET SEAL PUMP W/HYDRAULIC

| PART NO | DESCRIPTION | HP | QTY | SKID QTY |
|----------|--------------------------------------------------|-----|-----|----------|
| M350PHYW | 3" POLY MANIFOLD WET SEAL PUMP W/HYDRAULIC MOTOR | N/A | 1 | 12 |



3" POLY MANIFOLD WET SEAL PUMP W/HYDRAULIC

| PART NO | DESCRIPTION | HP | QTY | SKID QTY |
|----------|----------------------------------------------------------------|-----|-----|----------|
| M350PHAW | 3" POLY MANIFOLD WET SEAL PUMP W/HYDRAULIC PEDESTAL (NO MOTOR) | N/A | 1 | 12 |



3" POLY WET SEAL BEARING PEDESTAL

| PART NO | DESCRIPTION | HP | QTY | SKID QTY |
|---------|-----------------------------------------------------------------|-----|-----|----------|
| M350PBW | 3" POLY WET SEAL BEARING PEDESTAL W/ 1" SHAFT & 4 VANE IMPELLER | N/A | 1 | 12 |



4" PLUMBING FITTINGS

| PART NO | DESCRIPTION | LOT QTY |
|------------|-------------------------------|---------|
| M300400A | 3" Manifold x 4" Male Coupler | 1 |
| M300400BRB | 3" Manifold x 4" Hose Barb | 1 |

CENTRIFUGAL PUMPS

1½" - 2" CAST IRON PUMPS

FEATURES

- Cast iron construction for rugged dependable service
- Stainless steel shaft sleeve to protect engine shaft
- Carbon ceramic seal with stainless steel cup and spring with FKM rubber
- Replaceable inlet and outlet flanges
- Dynamically balanced impeller
- Pump only packs complete and ready for attachment to gasoline engine
- Pedestal pump for long coupling to electric motor
- Recommendation for 5/8" shaft: 56C frame size, 3 HP, 3450 RPM & 5" max impeller for close coupling to electric motors
- Recommendation for 7/8" shaft: 145TC frame size, 3 HP, 3450 RPM & 5" max impeller for close coupling to electric motors
- Engine warranty service available at authorized dealers



2" CAST IRON PUMP W/GAS ENGINES

| PART NO | DESCRIPTION | HP | QTY | SKID QTY |
|-----------|-----------------------------------------------------------------|-----|-----|----------|
| 200PI-3 | 2" CAST IRON PUMP W/3.5 HP BRIGGS & STRATTON® ENGINE | 3.5 | 1 | 8 |
| 200PI6PRO | 2" CAST IRON PUMP W/6.5 HP BRIGGS & STRATTON® ENGINE PRO SERIES | 6.5 | 1 | 8 |
| 200PIH-5 | 2" CAST IRON PUMP W/5.5 HP HONDA® ENGINE | 5.5 | 1 | 8 |
| 200PIH5E | 2" CAST IRON PUMP W/5.5 HP HONDA® ENGINE W/ ELECTRIC START | 5.5 | 1 | 8 |



2" CAST IRON PUMP ONLY

| PART NO | DESCRIPTION | HP | QTY | SKID QTY |
|---------|-------------------------------------------|-----|-----|----------|
| 200POI | 2" CAST IRON PUMP ONLY W/ ¾" SHAFT SLEEVE | N/A | 1 | 27 |



1½" CAST IRON C-FLANGE PUMPS

| PART NO | DESCRIPTION | HP | QTY | SKID QTY |
|-----------------|-----------------------------------------------------------------|-----|-----|----------|
| 150POICF5/8-4.1 | 1½" CAST IRON C-FLANGE PUMP W/ 5/8" SHAFT SLEEVE & 4.1 IMPELLER | N/A | 1 | 18 |

2" CAST IRON C-FLANGE PUMPS

| PART NO | DESCRIPTION | HP | QTY | SKID QTY |
|-------------|-------------------------------------------------|-----|-----|----------|
| 200POICF5/8 | 2" CAST IRON C-FLANGE PUMP W/ 5/8" SHAFT SLEEVE | N/A | 1 | 18 |
| 200POICF7/8 | 2" CAST IRON C-FLANGE PUMP W/ 7/8" SHAFT SLEEVE | N/A | 1 | 18 |



2" CAST IRON BEARING PEDESTAL

| PART NO | DESCRIPTION | HP | QTY | SKID QTY |
|---------|----------------------------------------------------|-----|-----|----------|
| 200PBI | 2" CAST IRON BEARING PEDESTAL W/ ¾" STRAIGHT SHAFT | N/A | 1 | 18 |



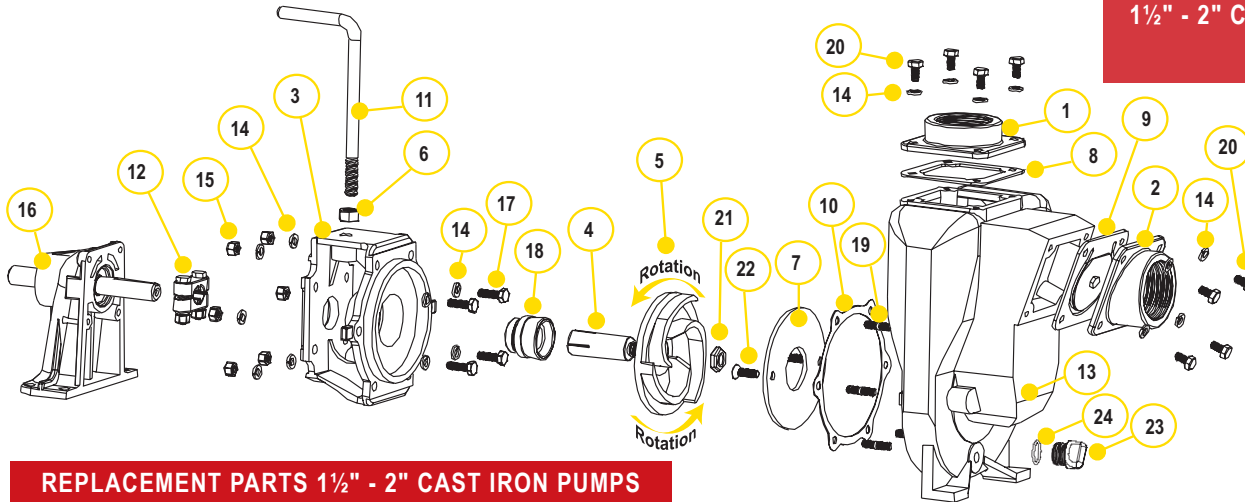
WARNING! DO NOT RUN PUMP DRY, RESTRICT OR REDUCE PORT SIZES OR DEAD HEAD PUMP



WARNING! DO NOT USE WITH FLAMMABLE LIQUIDS

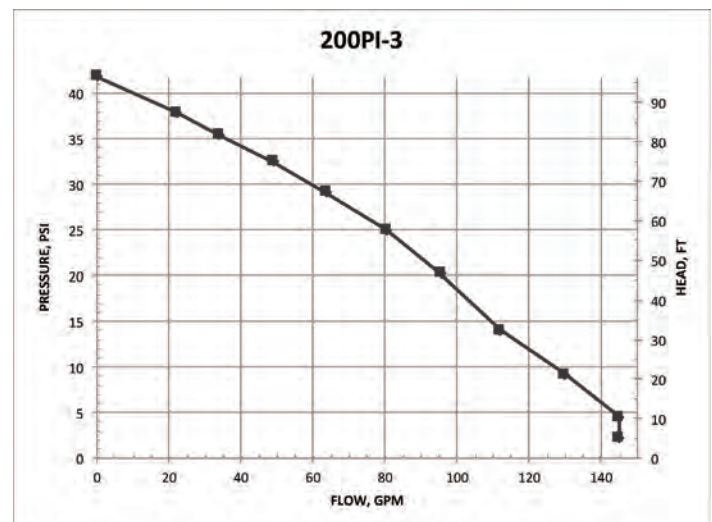
CENTRIFUGAL PUMPS

1½" - 2" CAST IRON PUMPS



REPLACEMENT PARTS 1½" - 2" CAST IRON PUMPS

| ITEM | PART NO | DESCRIPTION | QTY |
|------|-----------|---------------------------------------------------|-----|
| 1 | 17001 | 1½" NPT OUTLET FLANGE | 1 |
| 1 | 17000 | 2" NPT OUTLET FLANGE | 1 |
| 2 | 17003 | 1½" NPT INLET FLANGE | 1 |
| 2 | 17002 | 2" NPT INLET FLANGE | 1 |
| 3 | 17004 | ADAPTER FOR GAS ENGINE | 1 |
| 3 | 17046 | C-FACE ADAPTER | 1 |
| 4 | 17005 | 5/8" SLEEVE DRIVE FOR ELECTRIC MOTOR | 1 |
| 4* | 17006 | ¾" SLEEVE DRIVE | 1 |
| 4 | 17007 | 7/8" SLEEVE DRIVE FOR ELECTRIC MOTOR | 1 |
| 5* | 17008 | 5" IMPELLER | 1 |
| 5 | 17008-4.1 | 4.1" TRIMMED IMPELLER | 1 |
| 6 | 17010 | ½" HEX NUT | 1 |
| 7* | 17011 | WEAR PLATE | 1 |
| 8 | 17013 | EPDM GASKET | 1 |
| 9 | 17016 | CHECK VALVE ASSEMBLY | 1 |
| 10* | 17018 | GASKET ADAPTER | 1 |
| 11 | 15022 | HANDLE | 1 |
| 12 | 17023 | 5/8" CLAMP FOR ¾" SHAFT ASSEMBLY (OLD STYLE) | 1 |
| 12 | 17123 | 5/8" CLAMP FOR ¾" SHAFT ASSEMBLY (KEYED) | 1 |
| 12 | 17024 | 7/8" CLAMP FOR SHAFT ASSEMBLY | 1 |
| 13 | 17026 | PUMP HOUSING | 1 |
| 14 | V10118 | 5/16" LOCK WASHER | 18 |
| 15 | V10119 | 5/16" - 18 SS HEX NUT | 6 |
| N/S | 12883B | BEARINGS | 1 |
| 16 | 12882A | COMPLETE PEDESTAL ASSEMBLY | 2 |
| 17 | 17040 | 5/16" - 24 X 1.00" CAP SCREW | 1 |
| 18 | 17028 | EPDM SEAL ASSEMBLY | 4 |
| 18* | 17035 | FKM SEAL ASSEMBLY | 1 |
| 18 | 17035SD | SEVERE DUTY SEAL | 1 |
| 19 | 17042 | STUD | 6 |
| 20 | 17019 | 5/16"-18 X ¾" CAP SCREW | 8 |
| 21 | 17009B | 5/8" IMPELLER NUT | 1 |
| 22 | 17130 | 5/16-18 X 1.00" FHSCS, 18-8 SS | 2 |
| 23 | 12777 | ½" PLUG | 1 |
| 24 | UV15163 | O-RING | 1 |
| N/S | 17033 | Z RAILS (PAIR) | 1 |
| N/S | 17100 | REPAIR KIT (CONSISTS OF ITEMS 4*, 5*, 7, 10, 18*) | 1 |



CENTRIFUGAL PUMPS

2" CAST IRON WET SEAL PUMPS

FEATURES

- Cast iron construction for rugged dependable service
- Stainless steel hardware
- FKM double seal contained in glycol reservoir
- Replaceable inlet and outlet flanges
- Dynamically balanced impeller
- Pump only packs complete and ready for attachment to gasoline engine
- Pedestal pump for long coupling to electric motor
- Due to weight and size of pumps, Banjo ships these by truck only.



2" CAST IRON WET SEAL PUMPS W/GAS ENGINES

| PART NO | DESCRIPTION | HP | QTY | SKID QTY |
|----------|---------------------------------------------------|-----|-----|----------|
| 201PIH5W | 2" CAST IRON WET SEAL PUMP W/5.5 HP HONDA® ENGINE | 5.5 | 1 | 8 |



2" CAST IRON WET SEAL PUMP ONLY

| PART NO | DESCRIPTION | HP | QTY | SKID QTY |
|---------|---------------------------------|-----|-----|----------|
| 201POIW | 2" CAST IRON WET SEAL PUMP ONLY | N/A | 1 | 18 |



WARNING! DO NOT RUN PUMP DRY, RESTRICT OR REDUCE PORT SIZES OR DEAD HEAD PUMP



WARNING! DO NOT USE WITH FLAMMABLE LIQUIDS

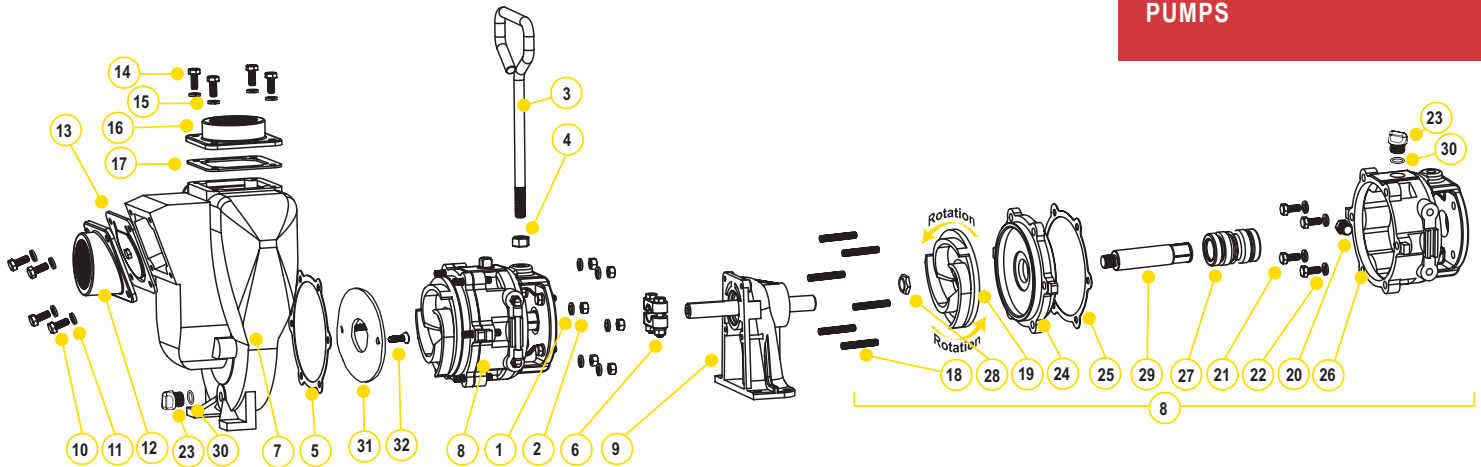


2" CAST IRON WET SEAL PUMP BEARING PEDESTAL

| PART NO | DESCRIPTION | HP | QTY | SKID QTY |
|---------|--------------------------------------------------|-----|-----|----------|
| 201PBIW | 2" CAST IRON WET SEAL PUMP WITH BEARING PEDESTAL | N/A | 1 | 18 |

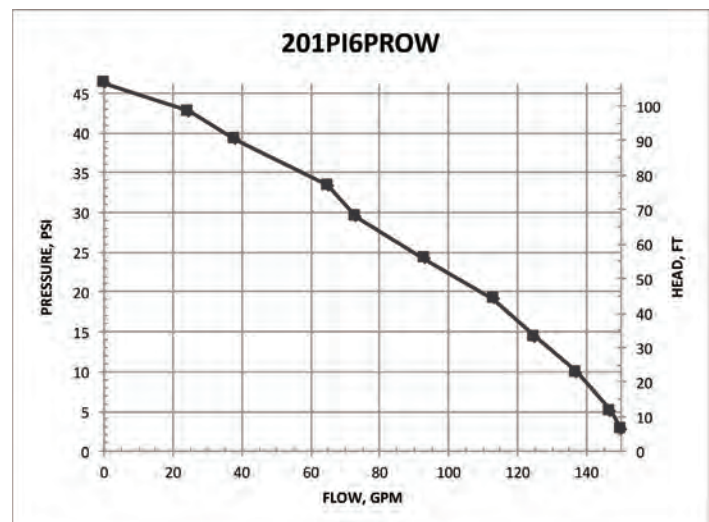
CENTRIFUGAL PUMPS

2" CAST IRON WET SEAL PUMPS



REPLACEMENT PARTS 2" CAST IRON PUMPS

| ITEM | PART NO | DESCRIPTION | QTY |
|------|---------|---------------------------------------|-----|
| 1 | V10118 | 5/16" LOCK WASHER | 6 |
| 2 | V10119 | 5/16" -18 HEX NUT | 6 |
| 3 | 15022 | HANDLE | 1 |
| 4 | 17010 | 1/2" HEX NUT | 1 |
| 5 | 17018 | GASKET ADAPTER | 1 |
| 6 | 17123 | 5/8" CLAMP, 3/4" SHAFT ASSEMBLY KEYED | 1 |
| 7 | 17226 | PUMP HOUSING | 1 |
| 8 | N/A | WET SEAL ASSEMBLY | 1 |
| 9 | 12882A | BEARING PEDESTAL | 1 |
| 10 | 17019 | 5/16"-18 X 3/4" HHCS | 4 |
| 11 | V10118 | 5/16" LOCK WASHER | 4 |
| 12 | 17002 | 2" NPT INLET FLANGE | 1 |
| 13 | 17016 | EPDM CHECK VALVE GASKET ASSEMBLY | 1 |
| 14 | 17019 | 5/16" -18 X 3/4" HHCS | 4 |
| 15 | V10118 | 5/16" LOCK WASHER | 4 |
| 16 | 17000 | 2" NPT OUTLET FLANGE | 1 |
| 17 | 17013 | EPDM OUTLET GASKET | 1 |
| 18 | 17242 | HOUSING STUD | 6 |
| 19 | 17208 | IMPELLER | 1 |
| 20 | 17032 | PIPE PLUG | 1 |
| 21 | 17019 | 5/16"-18 X 3/4" CAP SCREW | 4 |
| 22 | V10118 | 5/16" LOCK WASHER | 4 |
| 23 | 12777 | 1/2" PLUG | 2 |
| 24 | 17202 | COVER PLATE | 1 |
| 25 | 17018 | GASKET ADAPTER | 1 |
| 26 | 17201A | RESERVOIR | 1 |
| 27 | 17235 | FKM MECHANICAL SEAL ASSEMBLY | 1 |
| 28 | 17009B | 5/8" IMPELLER NUT | 1 |
| 29 | 17206A | ADAPTER SHAFT | 1 |
| 30 | UV15163 | O-RING | 2 |
| 31 | 17011 | Wear Plate | 1 |
| 32 | 17130 | 5/16-18 X 1.00" FHSCS, 18-8 SS | 1 |



CENTRIFUGAL PUMPS

2" CAST IRON PUMPS WITH ELECTRIC MOTORS

FEATURES

- Cast iron construction for rugged dependable service
- Stainless steel shaft sleeve to protect engine shaft
- Carbon ceramic seal with stainless steel cup and spring with FKM rubber
- Replaceable inlet and outlet flanges
- Dynamically balanced impeller
- Pump only packs complete and ready for attachment to gasoline engine
- Due to weight and size of pumps, Banjo ships these by truck only.
- Motor warranty service available at authorized dealers
- Motor features include pressure cast aluminum end plates with ribbed design for rigidity, heavy gauge steel frame, 230 volt, with inverter spike resistance magnet wire



2" CAST IRON PUMPS W/ELECTRIC MOTORS

| PART NO | DESCRIPTION | HP | QTY | SKID QTY |
|----------|------------------------------------------------------|----|-----|----------|
| 234PIE5 | 2" CAST IRON PUMP W/5 HP THREE PHASE ELECTRIC MOTOR | 5 | 1 | 3 |
| 234PIE51 | 2" CAST IRON PUMP W/5 HP SINGLE PHASE ELECTRIC MOTOR | 5 | 1 | 3 |

2" CAST IRON PUMP ONLY

| PART NO | DESCRIPTION | HP | QTY | SKID QTY |
|---------|----------------------------------------------|-----|-----|----------|
| 234POI | 2" CAST IRON PUMP ONLY W 184TC FRAME ADAPTER | N/A | 1 | 18 |



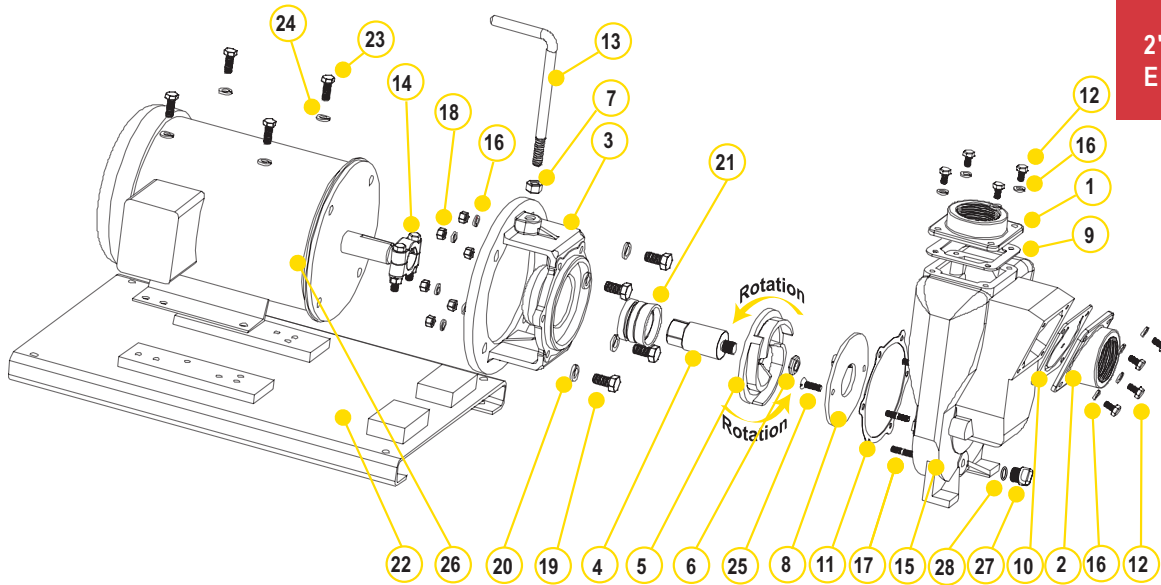
WARNING! DO NOT RUN PUMP DRY, RESTRICT OR REDUCE PORT SIZES OR DEAD HEAD PUMP



WARNING! DO NOT USE WITH FLAMMABLE LIQUIDS

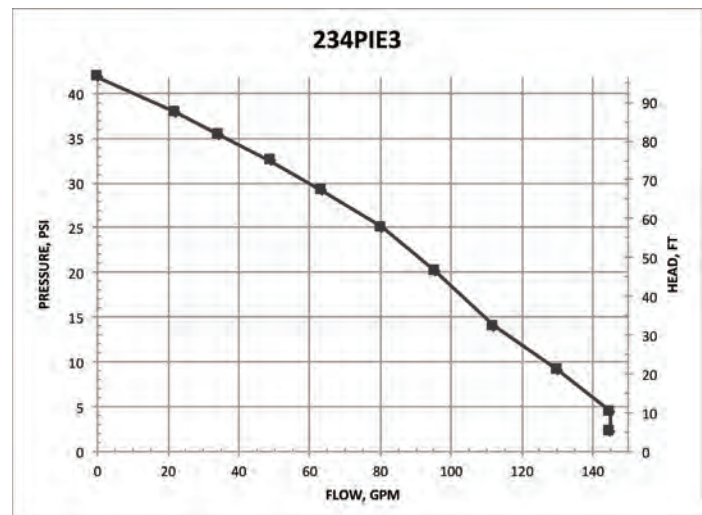
CENTRIFUGAL PUMPS

2" CAST IRON PUMPS WITH ELECTRIC MOTORS



REPLACEMENT PARTS 2" CAST IRON PUMPS

| ITEM | PART NO | DESCRIPTION | QTY |
|------|---------|--------------------------------|-----|
| 1 | 17000 | 2" NPT OUTLET FLANGE | 1 |
| 2 | 17002 | 2" NPT INLET FLANGE | 1 |
| 3 | 17046 | C-FACE ADAPTER (234PIE3) | 1 |
| 3 | 17446 | C-FACE ADAPTER | 1 |
| 4 | 17007 | IMPELLER SHAFT (234PIE3) | 1 |
| 4 | 17406 | IMPELLER SHAFT | 1 |
| 5 | 17008 | IMPELLER (234PIE3) | 1 |
| 5 | 17408 | IMPELLER | 1 |
| 6 | 17009B | 5/8" IMPELLER NUT | 1 |
| 7 | 17010 | 1/2" HEX NUT | 1 |
| 8 | 17011 | WEAR PLATE | 1 |
| 9 | 17013 | OUTLET GASKET | 1 |
| 10 | 17016 | GASKET & CHECK VALVE | 1 |
| 11 | 17018 | GASKET ADAPTER | 1 |
| 12 | 17019 | BOLT | 8 |
| 13 | 15022 | HANDLE | 1 |
| 14 | 17024 | CLAMP ASSEMBLY W/KEY (234PIE3) | 1 |
| 14 | 18129 | CLAMP ASSEMBLY W/KEY | 1 |
| 15 | 17026 | PUMP HOUSING | 1 |
| 16 | V10118 | 5/16" LOCK WASHER | 20 |
| 17 | 17042 | HOUSING STUD | 6 |
| 18 | V10119 | HEX NUT | 8 |
| 19 | N/A | BOLT | 4 |
| 20 | N/A | WASHER | 4 |
| 21 | 17035 | SEAL ASSEMBLY (234PIE3) | 1 |
| 21 | 18025 | SEAL ASSEMBLY | 1 |
| 22 | 17701 | BASE PLATE ASSEMBLY | 1 |
| 23 | 17704 | BOLT | 4 |
| 24 | V20018 | 3/8" LOCK WASHER | 4 |
| 25 | 17130 | 5/16-18 X 1.00" FHSCS, 18-8 SS | 2 |
| 26 | N/A | ELECTRIC MOTOR | 1 |
| 27 | 12777 | 1/2" PLUG | 1 |
| 28 | UV15163 | O-RING FOR DRAIN PLUG | 1 |



CENTRIFUGAL PUMPS

2" CAST IRON PUMPS WITH HYDRAULIC MOTORS

FEATURES

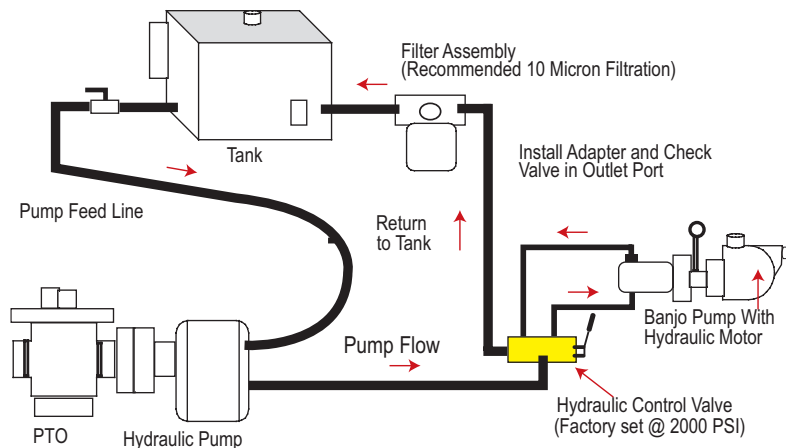
- Cast iron construction for rugged dependable service
- Stainless steel hardware
- Replaceable inlet and outlet flanges
- Dynamically balanced impeller
- Hydraulic fluid capacity is minimum 6 gallons and maximum 10 gallons
- Open or closed system
- 12 HP motor
- Recommendation to use the motor spool control valve or a suitable equivalent. The lack of such a valve in this circuit may cause failure to the hydraulic motor.



2" CAST IRON PUMPS WITH HYDRAULIC MOTOR

| PART NO | DESCRIPTION | HP | QTY | SKID QTY |
|---------|---------------------------------------------|----|-----|----------|
| 200PIHY | 2" CAST IRON PUMP ONLY WITH HYDRAULIC MOTOR | 12 | 1 | 18 |

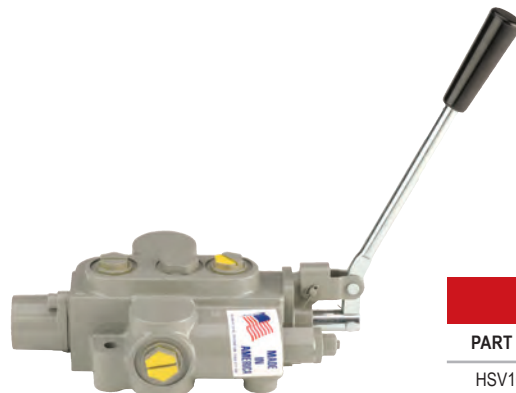
SPOOL VALVE ASSEMBLY DIAGRAM



WARNING! DO NOT RUN PUMP DRY, RESTRICT OR REDUCE PORT SIZES OR DEAD HEAD PUMP



WARNING! DO NOT USE WITH FLAMMABLE LIQUIDS

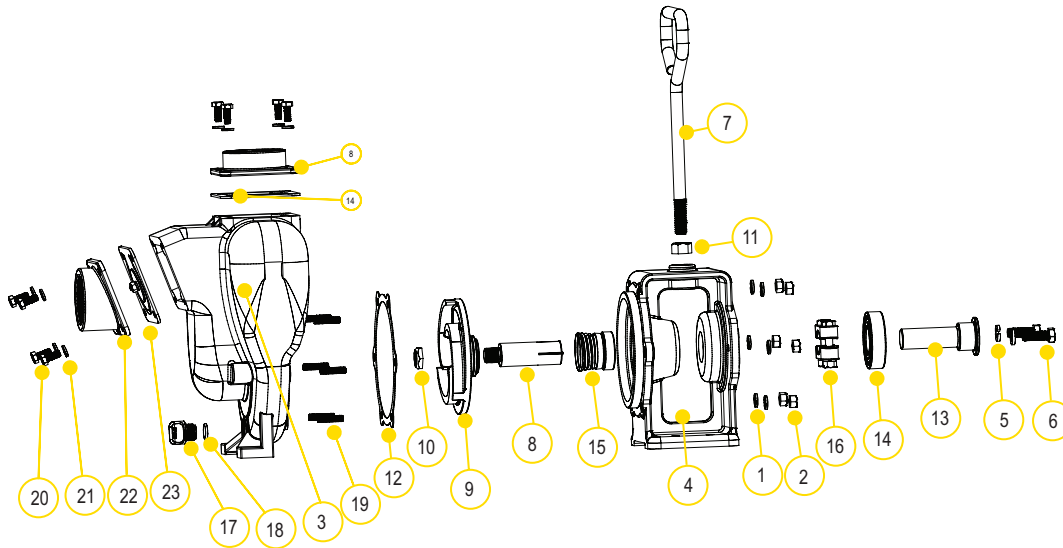


HYDRAULIC MOTOR SPOOL VALVE

| PART NO | DESCRIPTION | HP | QTY |
|---------|-----------------------------|-----|-----|
| HSV1000 | HYDRAULIC MOTOR SPOOL VALVE | N/A | 1 |

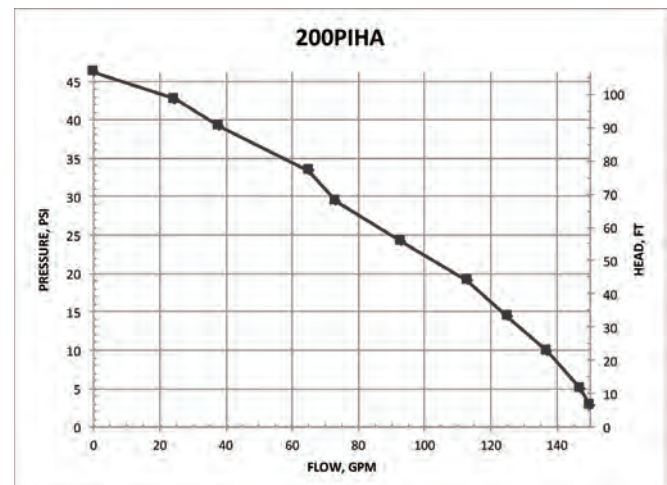
CENTRIFUGAL PUMPS

2" CAST IRON PUMPS WITH HYDRAULIC MOTORS



REPLACEMENT PARTS 2" CAST IRON PUMPS

| ITEM | PART NO | DESCRIPTION | QTY |
|------|---------|---------------------------------------|-----|
| 1 | V10118 | 5/16" SPLIT LOCK WASHER | 6 |
| 2 | V10119 | 5/16"-18 HEX NUT | 6 |
| 3 | 17026 | PUMP HOUSING | 1 |
| 4 | 17049A | HYDRAULIC ADAPTER | 1 |
| 5 | V20018 | 3/8" LOCK WASHER | 2 |
| 6 | 18010SS | 3/8"-16 X 1.25" HHCS | 2 |
| 7 | 15022 | HANDLE | 1 |
| 8 | 17007 | 7/8" SLEEVE DRIVE FOR HYDRAULIC MOTOR | 1 |
| 9 | 17008 | 5" IMPELLER | 1 |
| 10 | 17009B | 5/8" IMPELLER NUT | 1 |
| 11 | 17010 | 1/2" HEX NUT - 13UNF-RH | 1 |
| 12 | 17018 | GASKET ADAPTER | 1 |
| 13 | 17055A | HYDRAULIC ADAPTER SHAFT | 1 |
| 14 | 17056 | SKF 6206-2RS1 BEARING | 1 |
| 15 | 17035 | FKM SEAL ASSEMBLY | 1 |
| 16 | 17024 | 7/8" CLAMP, NO KEY | 1 |
| 17 | 12777 | 1/2" PLUG | 1 |
| 18 | UV15163 | O-RING | 1 |



CENTRIFUGAL PUMPS

2" 222 SERIES CAST IRON PUMPS

FEATURES

- Cast iron construction for rugged dependable service
- Carbon ceramic seal with stainless steel cup and spring with FKM rubber
- Replaceable inlet and outlet flanges
- Dynamically balanced impeller
- Heavy duty slinger seal on motor shaft
- Large weep holes between pump end and engine
- Pump only packs complete and ready for attachment to gasoline engine
- Pedestal pump for long coupling to electric motor
- Recommendation for 3/4" shaft: 5 HP, 3600 RPM
- Due to weight and size of pumps, Banjo ships these by truck only.
- Engine warranty service available at authorized dealers



POWERED by
HONDA

222 SERIES CAST IRON PUMPS W/GAS ENGINES

| PART NO | DESCRIPTION | HP | QTY | SKID QTY |
|-----------|-----------------------------------------------------------------|-----|-----|----------|
| 222PIH5 | 2" CAST IRON PUMP W/5.5 HP HONDA® ENGINE | 5.5 | 1 | 8 |
| 222PIH6 | 2" CAST IRON PUMP W/6.5 HP HONDA® ENGINE | 6.5 | 1 | 8 |
| 222PIH5E | 2" CAST IRON PUMP W/5.5 HP HONDA® ENGINE W/ ELECTRIC START | 5.5 | 1 | 8 |
| 222PI6PRO | 2" CAST IRON PUMP W/6.5 HP BRIGGS & STRATTON® ENGINE PRO SERIES | 6.5 | 1 | 8 |



222 SERIES CAST IRON PUMP ONLYS

| PART NO | DESCRIPTION | HP | QTY | SKID QTY |
|---------|-----------------------------------------|-----|-----|----------|
| 222POI | 2" CAST IRON PUMP ONLY W/ FULL IMPELLER | N/A | 1 | 18 |



222 SERIES CAST IRON BEARING PEDESTAL

| PART NO | DESCRIPTION | HP | QTY | SKID QTY |
|---------|------------------------------------------------------------|-----|-----|----------|
| 222PBI | 2" CAST IRON BEARING PEDESTAL W/ 3/4" STRAIGHT KEYED SHAFT | N/A | 1 | 18 |



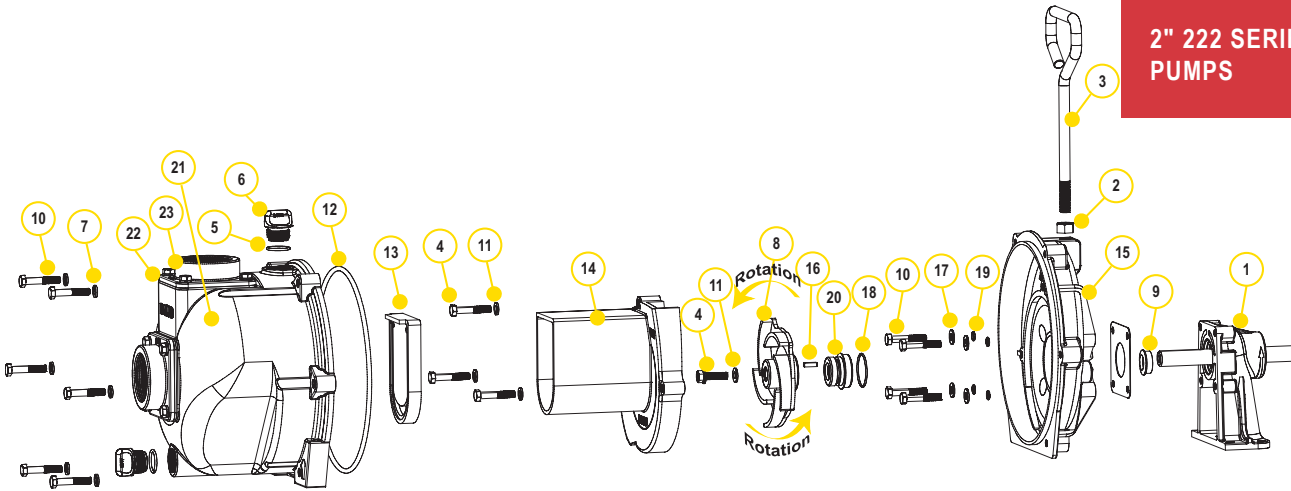
WARNING! DO NOT RUN PUMP DRY, RESTRICT OR REDUCE PORT SIZES OR DEAD HEAD PUMP



WARNING! DO NOT USE WITH FLAMMABLE LIQUIDS

CENTRIFUGAL PUMPS

2" 222 SERIES CAST IRON PUMPS

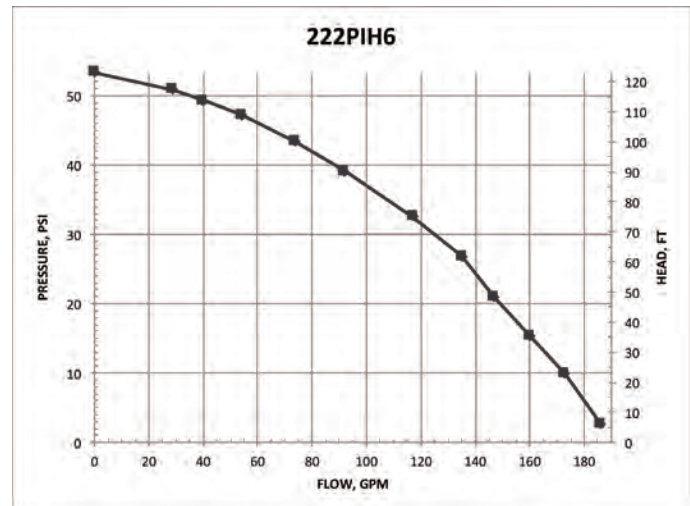


REPLACEMENT PARTS 2" CAST IRON PUMPS

| ITEM | PART NO | DESCRIPTION | QTY |
|------|---------|----------------------------------------------------------------|--------|
| 1 | 12882A | BEARING PEDESTAL ASSEMBLY | 1 |
| 1 | 12600B | HYDRAULIC PEDESTAL ASSEMBLY | 1 |
| 2 | 17010 | 1/2" JAM NUT | 1 |
| 3 | 15022 | HANDLE | 1 |
| 4 | 12765A | 5/16" - 24 X 1.12 IMPELLER BOLT | 1 |
| 5 | 13778 | O-RING | 2 |
| 6 | 13777 | 3/4" PLUG | 2 |
| 7 | V10118 | 5/16" LOCK WASHER | 9 |
| 8 | 15772 | 5 VANE IMPELLER | 1 |
| 9 | 12716 | PUMP SLINGER | 1 |
| 10 | 12715A | 5/16" - 24 X 1.75 HHCS | 13 |
| 11 | A204 | O-RING | 1 |
| 12 | 12719A | BODY O-RING | 1 |
| 13 | 12705 | CHECK VALVE | 1 |
| 14 | 15702 | VOLUTE | 1 |
| 15 | 15703 | REAR BRACKET | 1 |
| 16 | 12902A | 3/16" SQ X 5/8" KEY | 1 |
| 17 | 12901 | 5/16" FLAT WASHER | 4 |
| 18 | 12710 | O-RING | 1 |
| 19 | 12717 | O-RING | 4 |
| 20 | 12713V | SEAL ASSEMBLY | 1 |
| 20 | N/A | SEVERE DUTY SEAL | 1 |
| 21 | 15712 | BODY | 1 |
| 22 | 17013 | FLANGE GASKET | 2 |
| 23 | 17000 | 2" NPT THREADED FLANGE | 2 |
| 24 | 17019 | 5/16" - 18 X 0.75 HHCS | 8 |
| 25 | V10118 | 5/16" LOCK WASHER | 8 |
| N/S | 12099 | 7/16"-14 X 1.25" HHCS | 1 |
| N/S | 15751 | BRACKET SHIM | 1 |
| N/S | 15752 | IMPELLER SHIM | 1 |
| N/S | 17033 | Z-RAILS | 1 PAIR |
| N/S | N/A | 5/16" - 18 X 1 3/4" ZINC PLATED | 4 |
| N/S | V10119 | 5/16" -18 HEX NUT | 4 |
| N/S | V10118 | 5/16" LOCK WASHER | 4 |
| N/S | 15000 | REPAIR KIT (ITEMS 5, 8, 11-12, 18-20, 12099, 15751 & 15752) | 1 |
| N/S | 15000V | FKM REPAIR KIT | 1 |
| N/S | 15999 | SEAL KIT (ITEMS 5, 11-12, 18-20, 12099, 15751 & 15752) | 1 |
| N/S | 15999V | FKM SEAL KIT | 1 |

KITS 222 CAST IRON PUMPS

| PART NO | EPDM REPAIR KIT NO | FKM REPAIR KIT NO | EPDM SEAL KIT NO | FKM SEAL KIT NO |
|-----------|--------------------|-------------------|------------------|-----------------|
| 222PIH5 | 15000 | 15000V | 15999 | 15999V |
| 222PIH6 | 15000 | 15000V | 15999 | 15999V |
| 222PIH5E | 15000 | 15000V | 15999 | 15999V |
| 222PI6PRO | 15000 | 15000V | 15999 | 15999V |
| 222POI | 15000 | 15000V | 15999 | 15999V |
| 222PBI | 15000 | 15000V | 15999 | 15999V |



CENTRIFUGAL PUMPS

2" 222 SERIES CAST IRON PUMPS WITH ELECTRIC MOTORS

FEATURES

- Cast iron construction for rugged dependable service
- Carbon ceramic seal with stainless steel cup and spring with FKM rubber
- Replaceable inlet and outlet flanges
- Dynamically balanced impeller
- Heavy duty slinger seal on motor shaft
- Large weep holes between pump end and engine
- Motor features include pressure cast aluminum end plates with ribbed design for rigidity, heavy gauge steel frame, 230 volt, with inverter spike resistance magnet wire
- Due to weight and size of pumps, Banjo ships these by truck only.



222 SERIES CAST IRON PUMPS W/ELECTRIC MOTORS

| PART NO | DESCRIPTION | HP | QTY | SKID QTY |
|----------|------------------------------------------------------|----|-----|----------|
| 222PIE5 | 2" CAST IRON PUMP W/5 HP THREE PHASE ELECTRIC MOTOR | 5 | 1 | 3 |
| 222PIE51 | 2" CAST IRON PUMP W/5 HP SINGLE PHASE ELECTRIC MOTOR | 5 | 1 | 3 |



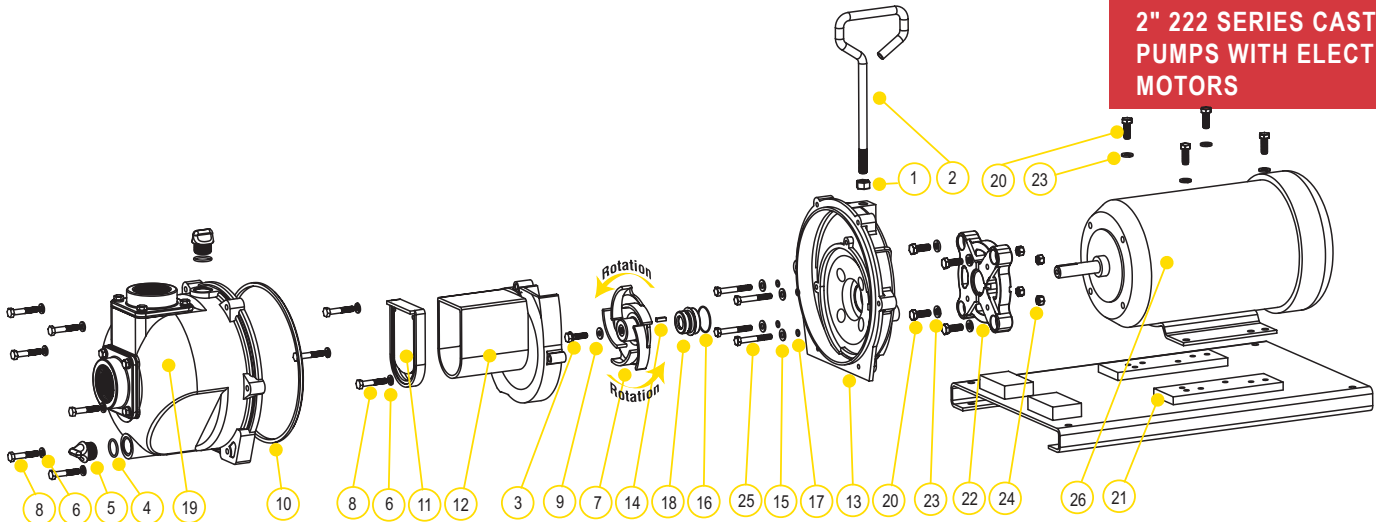
WARNING! DO NOT RUN PUMP DRY, RESTRICT OR REDUCE PORT SIZES OR DEAD HEAD PUMP



WARNING! DO NOT USE WITH FLAMMABLE LIQUIDS

CENTRIFUGAL PUMPS

2" 222 SERIES CAST IRON PUMPS WITH ELECTRIC MOTORS

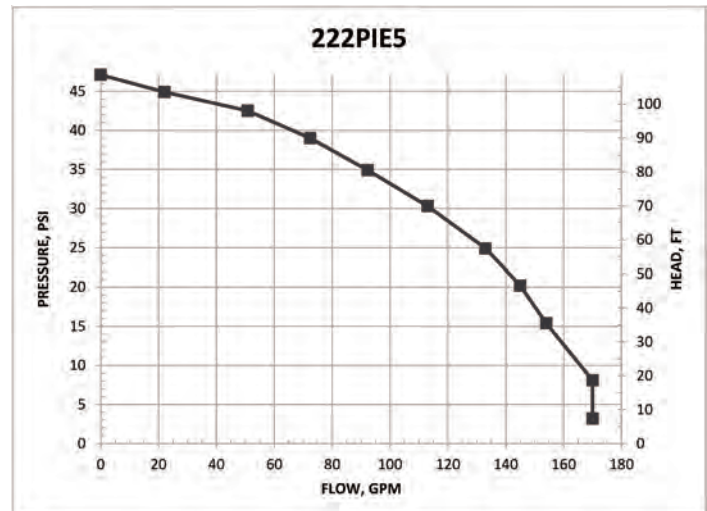


REPLACEMENT PARTS 222 SERIES CAST IRON PUMPS

| ITEM | PART NO | DESCRIPTION | QTY |
|------|------------|--------------------------------------------------------------------------|-----|
| 1 | 17010 | 1/2" JAM NUT | 1 |
| 2 | 15022 | HANDLE | 1 |
| 3 | 12765A | 5/16" - 24 X 1.12 IMPELLER BOLT | 1 |
| 4 | 13778 | O-RING | 2 |
| 5 | 13777 | 3/4" PLUG | 2 |
| 6 | V10118 | 5/16" LOCK WASHER | 9 |
| 7 | 15772 | 5 VANE IMPELLER | 1 |
| 8 | 12715A | 5/16" - 24 X 1.75 HHCS | 13 |
| 9 | A204 | O-RING | 1 |
| 10 | 12719A | BODY O-RING | 1 |
| 11 | 12705 | CHECK VALVE | 1 |
| 12 | 15702 | VOLUTE | 1 |
| 13 | 15703 | REAR BRACKET | 1 |
| 14 | 12902A | 3/16" SQ. X 5/8" KEY | 1 |
| 15 | 12901 | 5/16" FLAT WASHER | 1 |
| 16 | 12710 | O-RING | 4 |
| 17 | 12717 | O-RING | 1 |
| 18 | 12713V | SEAL ASSEMBLY | 4 |
| 18 | N/A | SEVERE DUTY SEAL | 1 |
| 19 | 15712 | BODY | 1 |
| 20 | 17704 | 3/16" - 16 X 1.25 HHCS BOLT | 8 |
| 21 | 17701 | C-FACED BASE PLATE | 1 |
| 22 | 12046 | 56C ADAPTER | 1 |
| 23 | V20018 | 3/8" LOCK WASHER | 8 |
| 24 | V20019 | 3/8" 16 SS HEX NUT | 4 |
| 25 | N/A | 5/16" - 18 X 2 1/4" HHCS BOLT | 4 |
| 26 | BEM5-182CZ | 5 HP 3450 RPM THREE PHASE MOTOR | 1 |
| 26 | N/A | 5 HP 3450 RPM SINGLE PHASE MOTOR | 1 |
| N/S | 12099 | 7/16"-14 X 1.25" HHCS | 1 |
| N/S | 15751 | BRACKET SHIM | 1 |
| N/S | 15752 | IMPELLER SHIM | 1 |
| N/S | 12756 | ADAPTER KIT (ITEMS 14, 20, 22, 23, 12052, 12053, 15751, 15752, 17029) | 1 |
| N/S | 15000 | REPAIR KIT (ITEMS 4,7,9-11,14,16-18,12099,15751 & 15752) | 1 |
| N/S | 15000V | FKM REPAIR KIT | 1 |
| N/S | 15999 | SEAL KIT (ITEMS 4, 9-11, 14,16-18,12099,15751 & 15752) | 1 |
| N/S | 15999V | FKM SEAL KIT | 1 |

KITS 222 CAST IRON PUMPS

| PART NO | EPDM REPAIR KIT NO | FKM REPAIR KIT NO | EPDM SEAL KIT NO | ADAPTER KIT NO |
|----------|--------------------|-------------------|------------------|----------------|
| 222PIE5 | 15000 | 15000V | 15999 | 12756 |
| 222PIE51 | 15000 | 15000V | 15999 | 12756 |

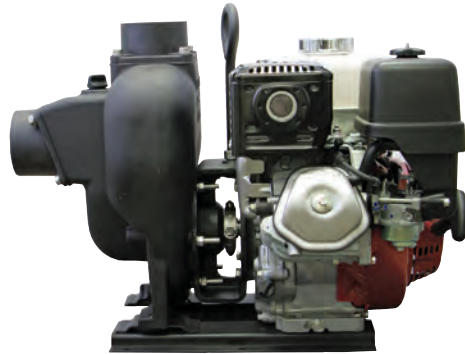


CENTRIFUGAL PUMPS

3" CAST IRON PUMPS

FEATURES

- Cast iron construction for rugged dependable service
- Stainless steel shaft sleeve to protect engine shaft
- Carbon ceramic seal with stainless steel cup and spring with FKM rubber
- Replaceable inlet and outlet flanges
- Dynamically balanced impeller
- Pump only packs complete and ready for attachment to gasoline engine
- Bearing pedestal pump for long coupling to electric motor
- Recommendation for 1" shaft: 184TC frame size, 7½ HP, 3450 RPM for close coupling to electric motors
- Engine warranty service available at authorized dealers
- Due to weight and size of pumps, Banjo ships these by truck only.



3" CAST IRON PUMP W/GAS ENGINES

| PART NO | DESCRIPTION | HP | QTY | SKID QTY |
|----------|----------------------------------------------------------------------|----|-----|----------|
| 300PIH13 | 3" CAST IRON PUMP W/13 HP HONDA® ENGINE W/ELECTRIC START & PULL ROPE | 13 | 1 | 6 |



3" CAST IRON PUMP ONLY

| PART NO | DESCRIPTION | HP | QTY | SKID QTY |
|---------|-------------------------------------------|-----|-----|----------|
| 300POI | 3" CAST IRON PUMP ONLY W/ 1" SHAFT SLEEVE | N/A | 1 | 8 |



WARNING! DO NOT RUN PUMP DRY, RESTRICT OR REDUCE PORT SIZES OR DEAD HEAD PUMP



WARNING! DO NOT USE WITH FLAMMABLE LIQUIDS

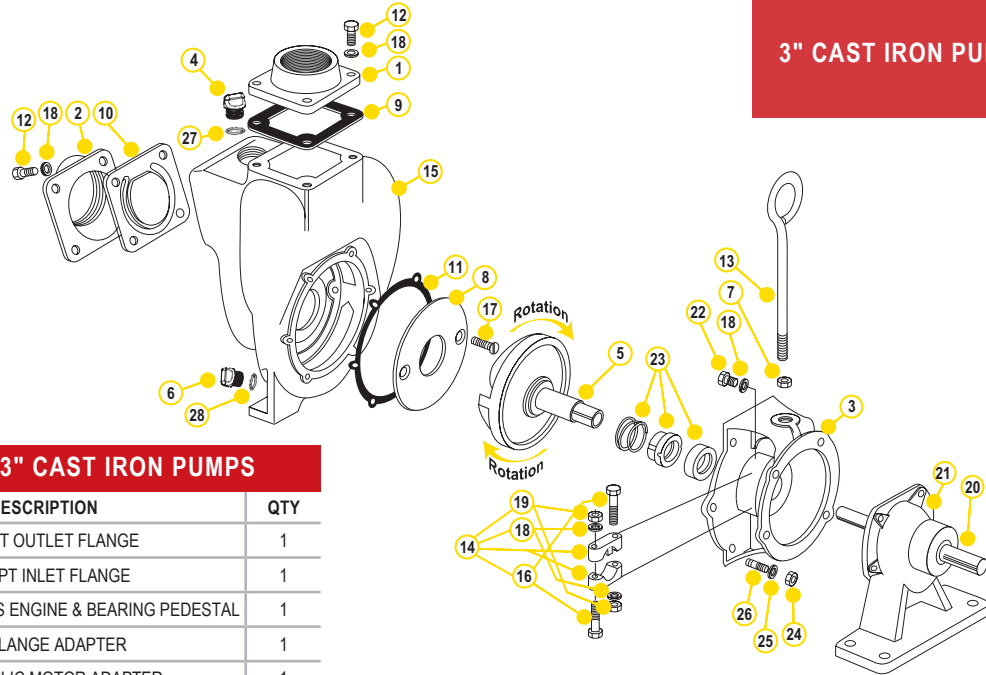


3" CAST IRON BEARING PEDESTAL

| PART NO | DESCRIPTION | HP | QTY | SKID QTY |
|---------|----------------------------------------------------|-----|-----|----------|
| 300PBI | 3" CAST IRON BEARING PEDESTAL W/ 1" STRAIGHT SHAFT | N/A | 1 | 8 |

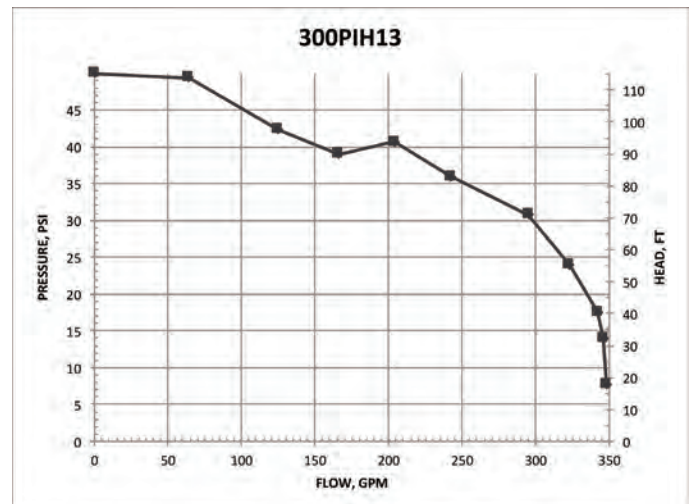
CENTRIFUGAL PUMPS

3" CAST IRON PUMPS



REPLACEMENT PARTS 3" CAST IRON PUMPS

| ITEM | PART NO | DESCRIPTION | QTY |
|------|-------------|--------------------------------------------------|-----|
| 1 | 18008 | 3" NPT OUTLET FLANGE | 1 |
| 2 | 18012 | 3" NPT INLET FLANGE | 1 |
| 3 | 18026 | ADAPTER FOR GAS ENGINE & BEARING PEDESTAL | 1 |
| 3 | 18048 | C-FLANGE ADAPTER | 1 |
| 3 | 18049 | HYDRAULIC MOTOR ADAPTER | 1 |
| N/S | 18055 | HYDRAULIC ADAPTER SHAFT | 1 |
| 4 | 13777 | 3/4" PLUG | 1 |
| 5* | 18023SS | 1" IMPELLER & DRIVE SHAFT FOR GAS ENGINE | 1 |
| 5 | 18023-1.125 | 1 1/8" IMPELLER & DRIVE SHAFT FOR ELECTRIC MOTOR | 1 |
| 6 | 12777 | 1/2" PLUG | 1 |
| 7 | 18034 | 5/8" SS JAM NUT | 1 |
| 8 | 18004 | WEAR PLATE | 1 |
| 9 | 18009 | EPDM OUTLET GASKET | 1 |
| 10 | 18013 | GASKET CHECK VALVE ASSEMBLY | 1 |
| 11 | 18021 | ADAPTER GASKET | 1 |
| 12 | 18010SS | 3/8" - 16 X 1 1/8" SS CAP SCREW HXHD | 8 |
| 13 | 18033 | HANDLE | 1 |
| 14 | 18029 | CLAMP ASSEMBLY (OLD STYLE) | 1 |
| 14 | 18129 | CLAMP ASSEMBLY (NEW STYLE) | 1 |
| 15 | 18001 | PUMP HOUSING | 1 |
| 16 | N/A | 3/8" -24 X 2 1/4" BOLT | 2 |
| 17 | 18106 | WEAR PLATE FLAT HEAD SCREW | 2 |
| 18 | V20018 | 3/8" LOCK WASHER | 8 |
| 19 | N/A | 3/8" X 24 SS HEX NUT | 2 |
| 20 | 18504 | 1" SHAFT | 1 |
| 21 | 18500 | BEARING PEDESTAL | 1 |
| N/S | 18502 | BEARING SKF 66306-2RS1/C3 | 2 |
| 22 | 17704 | BOLT | 4 |
| 23* | 18025 | FKM SEAL ASSEMBLY | 1 |
| 23 | 18025SD | SEVERE DUTY SEAL | 1 |
| 24 | V20019 | 3/8" 16 SS HEX NUT | 6 |
| 25 | V20018 | 3/8" SS LOCK WASHER | 6 |
| 26 | 18218 | 3/8" -16 X 24 X 2 1/8" SS STUD | 6 |
| 27 | 13778 | O-RING | 1 |
| 28 | UV15163 | O-RING | 1 |
| N/S | 18035 | Z-RAIL MOUNTING BRACKET (PAIR) | 1 |
| N/S | 18100 | REPAIR KIT (CONSIST OF ITEMS 5*, 8,11,17, 23*) | 1 |



CENTRIFUGAL PUMPS

3" CAST IRON WET SEAL PUMPS

FEATURES

- Cast iron construction for rugged dependable service
- Run dry capability
- Stainless steel hardware
- Double seal contained in ethylene glycol reservoir
- Replaceable inlet and outlet flanges
- Dynamically balanced impeller
- Pump only packs complete and ready for attachment to gasoline engine
- Pedestal pump for long coupling to electric motor
- Due to weight and size of pumps, Banjo ships these by truck only.



3" CAST IRON WET SEAL PUMPS W/GAS ENGINES

| PART NO | DESCRIPTION | HP | QTY | SKID QTY |
|-----------|--------------------------------------------------------------------------------|----|-----|----------|
| 301PIH13W | 3" CAST IRON WET SEAL PUMP W/13 HP HONDA® ENGINE W/ ELECTRIC START & PULL ROPE | 13 | 1 | 6 |



WARNING! DO NOT USE WITH FLAMMABLE LIQUIDS



3" CAST IRON WET SEAL PUMP ONLY

| PART NO | DESCRIPTION | HP | QTY | SKID QTY |
|---------|---------------------------------|-----|-----|----------|
| 301POIW | 3" CAST IRON WET SEAL PUMP ONLY | N/A | 1 | 8 |

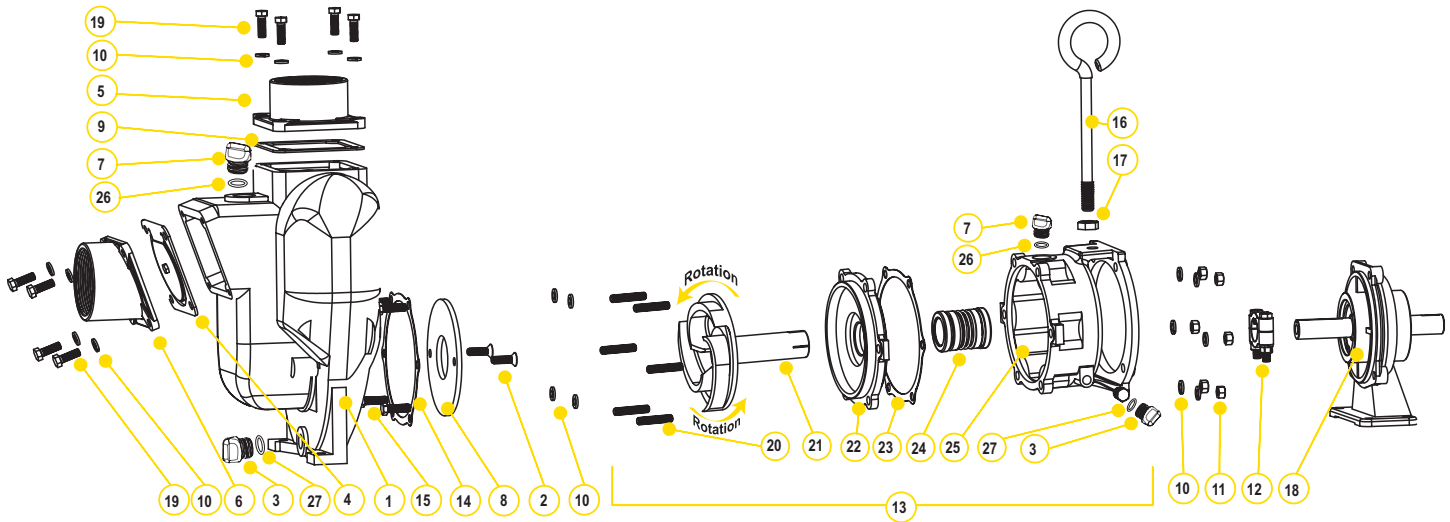


3" CAST IRON WET SEAL PUMP BEARING PEDESTAL

| PART NO | DESCRIPTION | HP | QTY | SKID QTY |
|---------|--------------------------------------------------|-----|-----|----------|
| 301PBIW | 3" CAST IRON WET SEAL PUMP WITH BEARING PEDESTAL | N/A | 1 | 8 |

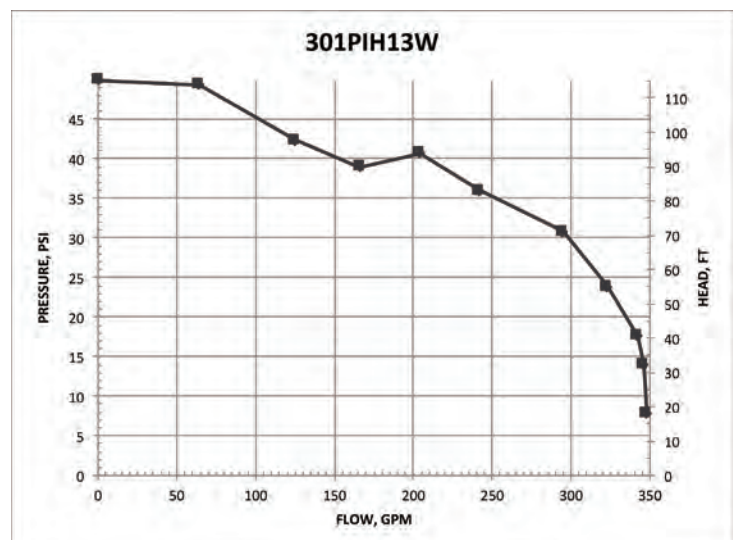
CENTRIFUGAL PUMPS

3" CAST IRON WET SEAL PUMPS



REPLACEMENT PARTS 3" CAST IRON PUMPS

| ITEM | PART NO | DESCRIPTION | QTY |
|------|---------|---------------------------------|-----|
| 1 | 18001 | PUMP HOUSING | 1 |
| 2 | 18106 | FLAT HEAD SOCKET CAP SCREW | 2 |
| 3 | 12777 | 1/2" PLUG | 2 |
| 4 | 18013 | INLET/CHECK EPDM GASKET | 1 |
| 5 | 18008 | 3" NPT OUTLET FLANGE | 1 |
| 6 | 18012 | 3" NPT INLET FLANGE | 1 |
| 7 | 13777 | 3/4" PLUG | 2 |
| 8 | 18004 | WEAR PLATE | 1 |
| 9 | 18009 | EPDM OUTLET GASKET | 1 |
| 10 | V20018 | 3/8" LOCK WASHER | 18 |
| 11 | V20019 | 3/8" 16 SS HEX NUT | 6 |
| 12 | 18129 | CLAMP ASSEMBLY KEYED | 1 |
| 13 | 18200A | WET SEAL ASSEMBLY | 1 |
| 14 | 18021 | ADAPTER GASKET | 1 |
| 15 | 17704 | 3/8" - 16 X 1 1/4" HHCS | 4 |
| 16 | 18033 | HANDLE | 1 |
| 17 | 18034 | 5/8" - 11 JAM NUT | 1 |
| 18 | 18500 | BEARING PEDESTAL | 1 |
| 19 | 18010SS | 3/8" - 16 X 1 1/8" HHCS | 8 |
| 20 | 18218 | 3/8" - 16 X 24 X 2 1/8" SS STUD | 6 |
| 21 | 18206 | IMPELLER | 1 |
| 22 | 18202A | COVER PLATE | 1 |
| 23 | 18021 | ADAPTER GASKET | 1 |
| 24 | 15035E | EPDM MECHANICAL SEAL ASSEMBLY | 1 |
| 25 | 18203A | WET SEAL RESERVOIR | 1 |
| 26 | 13778 | O-RING | 2 |
| 27 | UV15163 | O-RING | 2 |



CENTRIFUGAL PUMPS

3" CAST IRON PUMPS WITH HYDRAULIC MOTORS

FEATURES

- Cast iron construction for rugged dependable service
- Stainless steel hardware
- Replaceable inlet and outlet flanges
- Dynamically balanced impeller
- Hydraulic fluid capacity is minimum 9 gallons and maximum 13 gallons
- Open or closed system
- 21 HP motor
- Recommendation to use the motor spool control valve or a suitable equivalent. The lack of such a valve in this circuit may cause failure to the hydraulic motor.



3" CAST IRON PUMPS W/ HYDRAULIC MOTORS

| PART NO | DESCRIPTION | HP | QTY | SKID QTY |
|---------|--------------------------------------------|----|-----|----------|
| 300PIHY | 3" CAST IRON PUMP W/ 21 HP HYDRAULIC MOTOR | 21 | 1 | 8 |

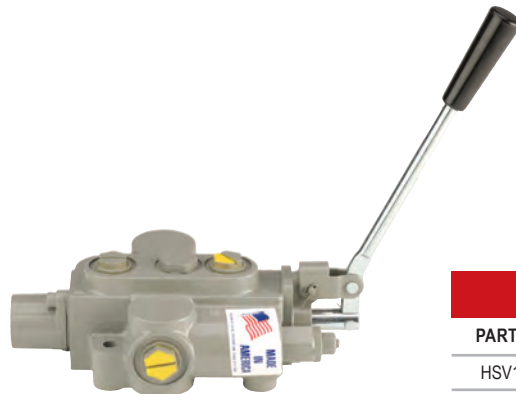
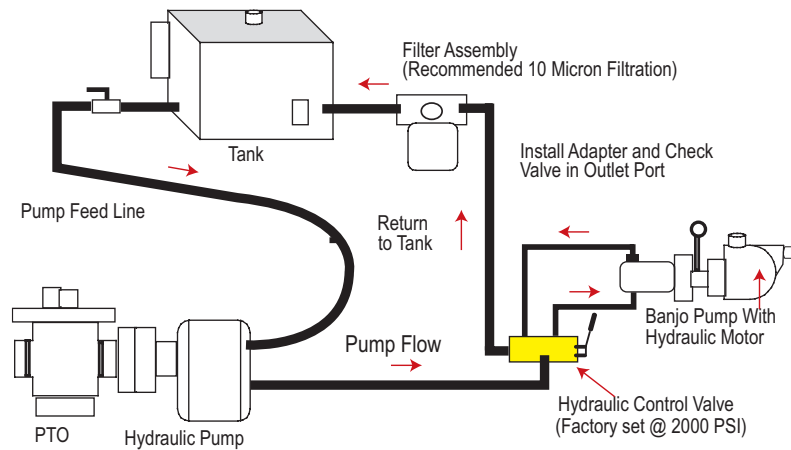


WARNING! DO NOT RUN PUMP DRY, RESTRICT OR REDUCE PORT SIZES OR DEAD HEAD PUMP



WARNING! DO NOT USE WITH FLAMMABLE LIQUIDS

SPOOL VALVE ASSEMBLY DIAGRAM

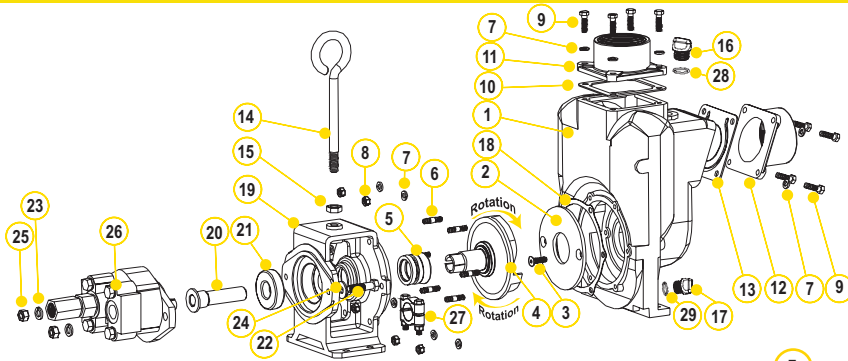


HYDRAULIC MOTOR SPOOL VALVE

| PART NO | DESCRIPTION | HP | QTY |
|---------|-----------------------------|-----|-----|
| HSV1000 | HYDRAULIC MOTOR SPOOL VALVE | N/A | 1 |

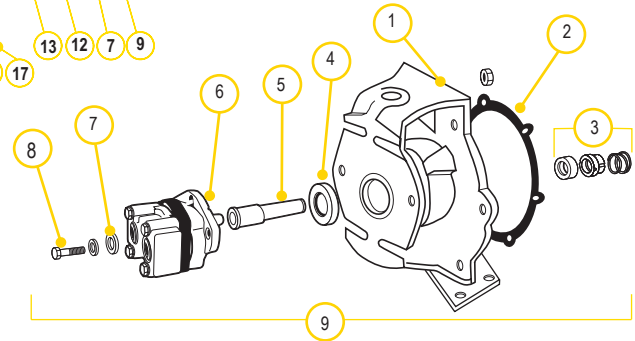
CENTRIFUGAL PUMPS

3" CAST IRON PUMPS WITH HYDRAULIC MOTORS



REPLACEMENT PART 3" CAST IRON PUMPS

| ITEM | PART NO | DESCRIPTION | QTY |
|------|---------|------------------------------------------|-----|
| 1 | 18001 | PUMP HOUSING | 1 |
| 2 | 18004 | WEAR PLATE | 1 |
| 3 | 18106 | 3/8" - 16 X 1.25" HHCS | 2 |
| 4 | 18023SS | 1" IMPELLER & DRIVE SHAFT FOR GAS ENGINE | 1 |
| 5 | 18025 | FKM MECHANICAL SEAL | 1 |
| 5 | 18025SD | SEVERE DUTY SEAL | 1 |
| 6 | 18218 | 3/8" -16 X 24 X 2 1/8" SS STUD | 6 |
| 7 | V20018 | 3/8" LOCK WASHER | 14 |
| 8 | V20019 | 3/8" 16 SS HEX NUT | 6 |
| 9 | 18010SS | 3/8" - 16 X 1.25" HHCS | 8 |
| 10 | 18009 | EPDM OUTLET GASKET | 1 |
| 11 | 18008 | 3" NPT OUTLET FLANGE | 1 |
| 12 | 18012 | 3" NPT INLET FLANGE | 1 |
| 13 | 18013 | INLET/CHECK EPDM GASKET | 1 |
| 14 | 18033 | HANDLE | 1 |
| 15 | 18034 | 5/8" -11 HEX NUT | 1 |
| 16 | 13777 | 3/4" PLUG | 1 |
| 17 | 12777 | 1/2" PLUG | 1 |
| 18 | 18021 | ADAPTER GASKET | 1 |
| 19 | 18049 | HYDRAULIC MOTOR ADAPTER | 1 |
| 20 | 18055 | HYDRAULIC ADAPTER SHAFT | 1 |
| 21 | 18502 | BEARING SKF 66306-2RS1/C3 | 1 |
| 22 | 18056 | 1/2" -13 X 2" HHCS | 2 |
| 23 | N/A | 1/2" SPLIT WASHER | 2 |
| 24 | N/A | 1/2" FLAT WASHER | 2 |
| 25 | 17010 | 1/2" - 13 HEX NUT | 2 |
| 26 | HY1012 | UM16-45A-HX HYDRAULIC MOTOR ASSEMBLY | 1 |
| 27 | 18029 | CLAMP ASSEMBLY UNKEYED | 1 |
| 28 | 13778 | O-RING | 1 |
| 29 | UV15163 | O-RING | 1 |
| KIT | 18100 | REPAIR KIT (CONSIST OF 2, 3, 4, 5, 18) | 1 |



REPLACEMENT PARTS 3" HYDRAULIC ADAPTER

| ITEM | PART NO | DESCRIPTION | QTY |
|------|---------|----------------------------------|-----|
| 1 | 18049 | C-FACE HYDRAULIC MOTOR ADAPTER | 1 |
| 2 | 18021 | GASKET ADAPTER | 1 |
| 3 | 18025 | SEAL ASSEMBLY | 1 |
| 4 | 18502 | SKF 66306-2RS1/C3 BEARING | 1 |
| 5 | 18055 | HYDRAULIC ADAPTER SHAFT SLEEVE | 1 |
| 6 | HY1012 | TYRONE® UM16 HYDRAULIC MOTOR | 1 |
| 7 | N/A | 1/2" FLAT WASHER | 2 |
| 8 | N/A | 1/2" SPLIT LOCK WASHER | 2 |
| 9 | 18056 | 1/2" - 13" X 2" HHCS BOLT | 2 |
| 10 | 17010 | 1/2" HEX NUT | 2 |
| 11 | 18600 | HYDRAULIC MOTOR ADAPTER ASSEMBLY | 1 |
| KIT | HY1001 | REPAIR KIT | 1 |

HYDRAULIC MOTOR DATA

| | |
|------------------------|-----------------|
| U.S. GALLONS/REV. | 0.0038 |
| CUBIC INCHES/REV. | 0.878 |
| LITERS/REV. | 0.0144 |
| MAX HYDRAULIC PRESSURE | 3000 PSI |
| MIN HYDRAULIC PRESSURE | 600 PSI |
| INLET PORT | 1-1/16-12UN-2B |
| OUTLET PORT | 1-5/16-12UN-2B |
| MINIMUM GPM REQUIRED | 9 GPM 2370 RPM |
| MAXIMUM GPM REQUIRED | 13 GPM 3450 RPM |
| IDEAL GPM REQUIRED | 9 GPM 3600 RPM |

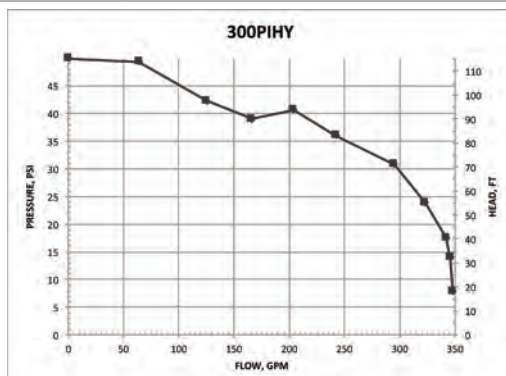
CONNECTION INFORMATION

| | |
|--------|----------|
| INLET | "A" PORT |
| OUTLET | "B" PORT |

SUPPLIED CHECK VALVE IS TO ENSURE PROPER ROTATION OF THE BANJO PUMP. PLACE CHECK VALVE IN OUTLET PORT (MARKED "B") FOR PROPER RIGHT HAND ROTATION. IT IS RECOMMENDED THAT A MINIMUM 3/4" INLET LINE & A MINIMUM 1" OUTLET LINE BE USED. THE OUTLET PORT MUST BE CONNECTED DIRECTLY BACK TO THE HYDRAULIC FLUID RESERVOIR & NOT TO ANY VALVING, REGULATORS OR FLOW DIVERTERS. THE OUTLET PORT/RETURN LINE BACK PRESSURE MUST NOT EXCEED 250 PSI.

SPOOL VALVE INFORMATION

| | |
|--------------------------|----------------------------|
| REQUIRED OUTLET FLOW | MIN 9 GPM / MAX 13 GPM |
| REQUIRED SYSTEM PRESSURE | MIN 600 PSI / MAX 3000 PSI |



CENTRIFUGAL PUMPS

3" 333 SERIES CAST IRON PUMPS

POWERED by
HONDA

FEATURES

- Cast iron construction for rugged dependable service
- Carbon ceramic seal with stainless steel cup and spring with FKM rubber
- Replaceable inlet and outlet flanges
- Dynamically balanced impeller
- Heavy duty slinger seal on motor shaft
- Large weep holes between pump end and engine
- Pedestal pump for long coupling to electric motor
- Due to weight and size of pumps, Banjo ships these by truck only.
- Engine warranty service available at authorized dealers



333 SERIES CAST IRON PUMPS W/GAS ENGINES

| PART NO | DESCRIPTION | HP | QTY | SKID QTY |
|----------|-----------------------------------------------------------------------|----|-----|----------|
| 333PIH13 | 3" CAST IRON PUMP W/13 HP HONDA® ENGINE W/ ELECTRIC START & PULL ROPE | 13 | 1 | 1 |



333 SERIES CAST IRON PUMP ONLYS

| PART NO | DESCRIPTION | HP | QTY | SKID QTY |
|----------|-----------------------------------------------------------------|-----|-----|----------|
| 333POI | 3" CAST IRON PUMP ONLY W/1" SHAFT & 5 VANE IMPELLER UNASSEMBLED | N/A | 1 | 6 |
| 333POICF | 3" CAST IRON PUMP ONLY W/ ELECTRIC MOTOR ADAPTER | N/A | 1 | 6 |



333 SERIES CAST IRON BEARING PEDESTAL

| PART NO | DESCRIPTION | HP | QTY | SKID QTY |
|---------|-------------------------------------------|-----|-----|----------|
| 333PBI | 3" CAST IRON BEARING PEDESTAL W/ 1" SHAFT | N/A | 1 | 6 |



333 SERIES CAST IRON HYDRAULIC PUMPS

| PART NO | DESCRIPTION | HP | QTY | SKID QTY |
|----------|------------------------------------------------------|----|-----|----------|
| 333PIE15 | 3" CAST IRON PUMP W/15 HP THREE PHASE ELECTRIC MOTOR | 15 | 1 | 1 |



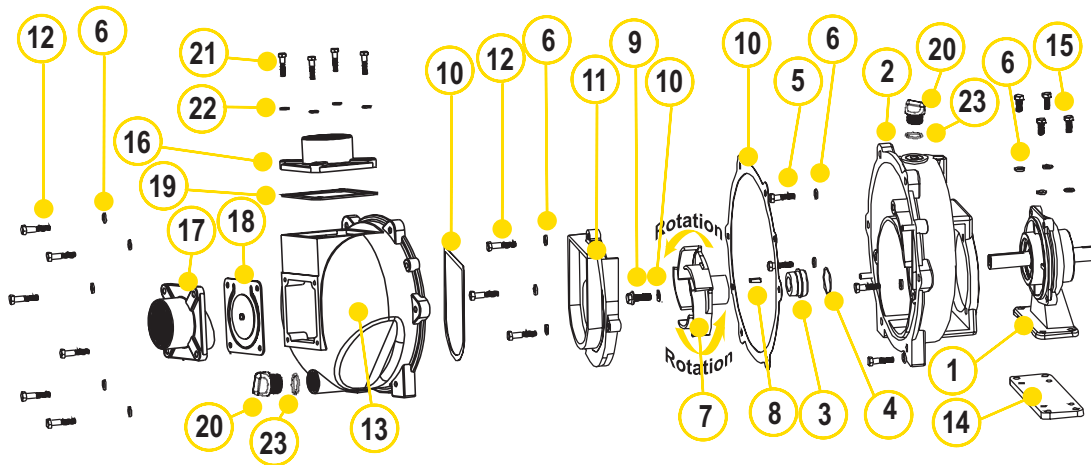
WARNING! DO NOT RUN PUMP DRY, RESTRICT OR REDUCE PORT SIZES OR DEAD HEAD PUMP



WARNING! DO NOT USE WITH FLAMMABLE LIQUIDS

CENTRIFUGAL PUMPS

3" 333 SERIES CAST IRON PUMPS

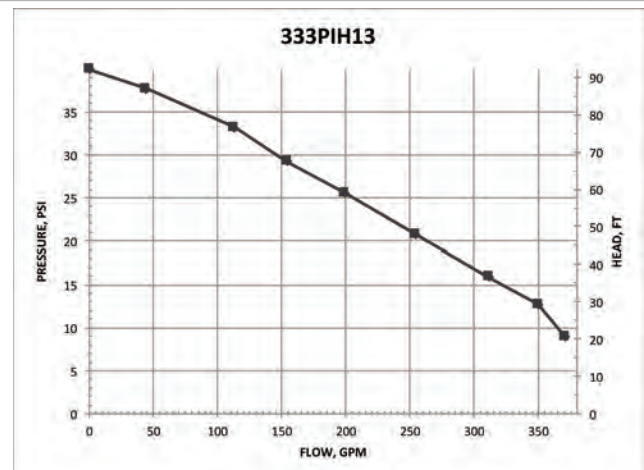


REPLACEMENT PARTS 3" CAST IRON PUMPS

| ITEM | PART NO | DESCRIPTION | QTY |
|------|---------|-----------------------------------------|-----|
| N/S | 16099 | IMPELLER REMOVAL BOLT | 1 |
| 1 | 18500 | BEARING PEDESTAL (333PBI) | 1 |
| 2 | 16704 | REAR BRACKET | 1 |
| 3 | 16713 | MECHANICAL SEAL | 1 |
| 4 | 16710 | O-RING | 1 |
| 5 | 17704 | 3/8" - 16 X 1.25" SS CAP SCREW (333PBI) | 4 |
| 6 | V20018 | 3/8" SS LOCK WASHER | 17 |
| 7 | 16773 | 3" IMPELLER (333PBI) | 1 |
| 7 | 16774 | 3" IMPELLER (333PIH13 & 333POI) | 1 |
| 7 | 16774A | 3" IMPELLER (333PIE15) | 1 |
| 8 | 16901 | 1/4" SQ. 3/4" KEY STOCK | 1 |
| 9 | 16765 | IMPELLER BOLT (333PBI) | 1 |
| 9 | 13765 | IMPELLER BOLT (333PIH13) | 1 |
| 10 | 16019 | GASKET SET | 1 |
| 11 | 16702 | VOLUTE | 1 |
| 12 | N/A | 3/8" - 16 X 1.75" SS BOLT | 9 |
| 13 | 16733 | BODY | 1 |
| 14 | 18511 | ADAPTER PLATE (333PBI) | 1 |
| 15 | 18512 | 3/8" - 16 X 0.875" SS HHCS (333PBI) | 4 |
| N/S | 16751 | BRACKET SHIM SET | 1 |
| N/S | 16752 | IMPELLER SHIM | 1 |
| N/S | 18033 | HANDLE | 1 |
| N/S | 18034 | 5/8" SS JAM NUT | 1 |
| 16 | 16001 | 3" NPT OUTLET FLANGE | 1 |
| 17 | 16003 | 3" NPT INLET FLANGE | 1 |
| 18 | 16706 | FKM INLET GASKET W/ CHECK | 1 |
| 19 | 16011 | FKM OUTLET GASKET | 1 |
| 20 | 13777 | 3/4" PLUG | 2 |
| 21 | 18027 | 3/8" - 16 X 1.50" HHCS (333PIH13) | 8 |
| 22 | V20018 | 3/8" SS LOCK WASHER | 8 |
| 23 | 13778 | O-RING | 2 |

REPLACEMENT PARTS 333PIE15

| ITEM | PART NO | DESCRIPTION | QTY |
|------|---------|-------------------------------|-----|
| N/S | 16099 | IMPELLER REMOVAL BOLT | 1 |
| 2 | 16704A | REAR BRACKET W/C-FACE ADAPTER | 1 |
| 3 | 15025 | MECHANICAL SEAL | 1 |
| 6 | V20018 | 3/8" SS LOCK WASHER | 8 |
| 7 | N/A | 3" IMPELLER - 5 VANE | 1 |
| 8 | N/A | 1/4" SQ. 3/4" KEY STOCK | 1 |
| 9 | 16765 | 7/16-20 1 1/4" HFS | 1 |
| 10 | 16019 | GASKET SET | 1 |
| 11 | 16702 | VOLUTE | 1 |
| 12 | N/A | 3/8" - 16 X 1.75" SS BOLT | 9 |
| 13 | 16733 | BODY | 1 |
| N/S | 16751 | BRACKET SHIM SET | 1 |
| N/S | 16752 | IMPELLER SHIM | 1 |
| N/S | 18033 | HANDLE | 1 |
| N/S | 18034 | 5/8" SS JAM NUT | 1 |
| 16 | 16001 | OUTLET FLANGE | 1 |
| 17 | 16003 | INLET FLANGE | 1 |
| 18 | 16706 | FKM INLET GASKET W/ CHECK | 1 |
| 19 | 16011 | FKM OUTLET GASKET | 1 |
| 20 | 13777 | 3/4" PLUG | 2 |
| 21 | 18027 | 3/8" - 16 X 1.50" HHCS | 8 |
| 22 | V20018 | 3/8" SS LOCK WASHER | 4 |
| 23 | 13778 | O-RING | 2 |



CENTRIFUGAL PUMPS

3" M332 SERIES CAST IRON MANIFOLD WET SEAL PUMPS

FEATURES

- Run dry capability
- Cast iron construction for rugged dependable service
- Carbon ceramic seal with stainless steel cup and spring with EPDM rubber
- Replaceable inlet and outlet flanges
- Dynamically balanced impeller
- Heavy duty slinger seal on motor shaft
- Due to weight and size of pumps, Banjo ships these by truck only.
- Engine warranty service available at authorized dealers
- See pages 41-47 on manifold fittings for easy plumbing.



WARNING! DO NOT USE WITH FLAMMABLE LIQUIDS



M332 SERIES CAST IRON WET SEAL PUMPS W/GAS ENGINES

| PART NO | DESCRIPTION | HP | QTY | SKID QTY |
|------------|----------------------------------------------------------------------------------------|----|-----|----------|
| M332PIH13W | 3" MANIFOLD CAST IRON WET SEAL PUMP W/13 HP HONDA® ENGINE W/ELECTRIC START & PULL ROPE | 13 | 1 | 6 |



M332 SERIES CAST IRON WET SEAL PUMPS W/ELECTRIC MOTORS

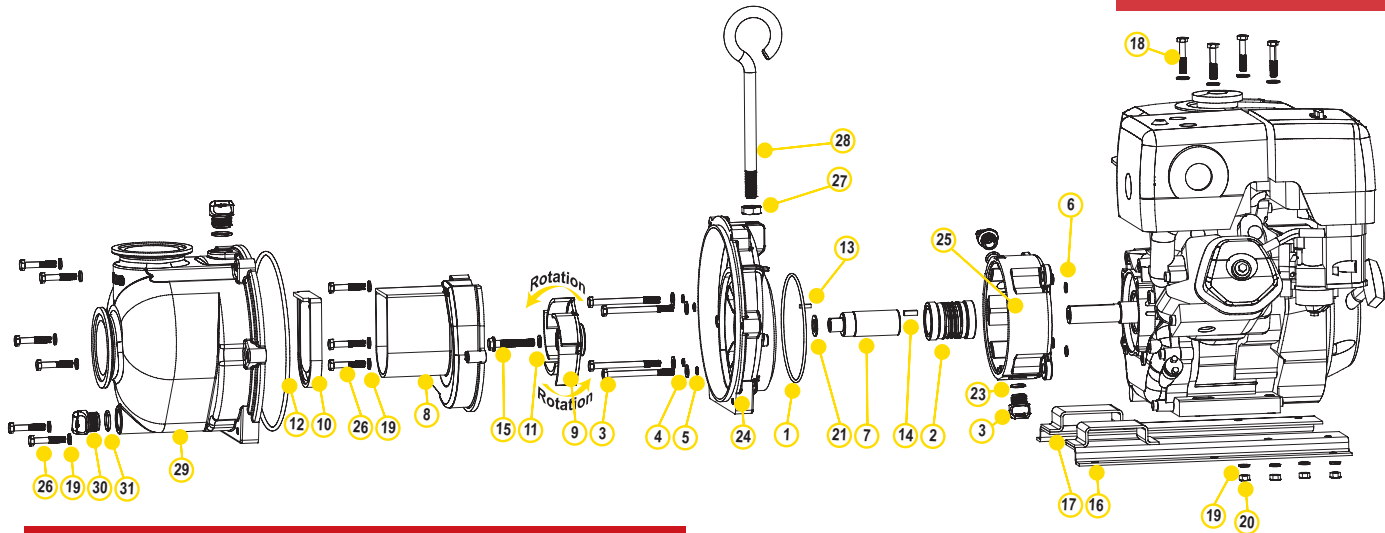
| PART NO | DESCRIPTION | HP | QTY | SKID QTY |
|-------------|------------------------------------------------------------------------|----|-----|----------|
| M332PIE10W | 3" MANIFOLD CAST IRON WET SEAL PUMP W/10HP THREE PHASE ELECTRIC MOTOR | 10 | 1 | 3 |
| M332PIE101W | 3" MANIFOLD CAST IRON WET SEAL PUMP W/10HP SINGLE PHASE ELECTRIC MOTOR | 10 | 1 | 1 |

M332 SERIES CAST IRON WET SEAL PUMP ONLY

| PART NO | DESCRIPTION | HP | QTY | SKID QTY |
|----------|------------------------------------------|-----|-----|----------|
| M332POIW | 3" MANIFOLD CAST IRON WET SEAL PUMP ONLY | N/A | 1 | 6 |

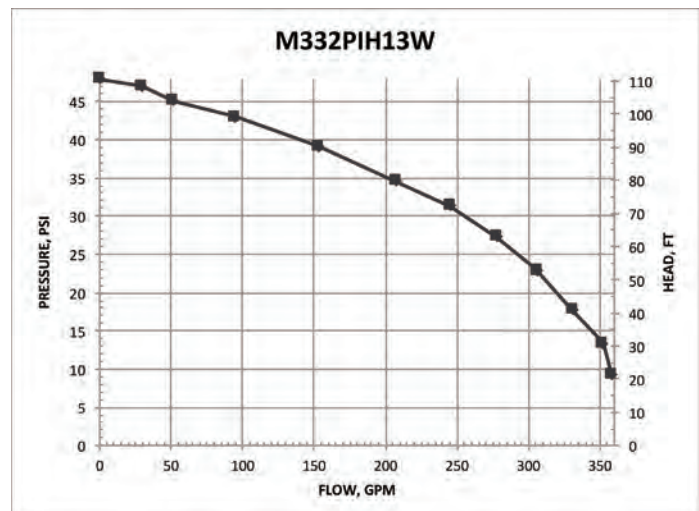
CENTRIFUGAL PUMPS

3" M332 SERIES CAST IRON MANIFOLD WET SEAL PUMPS



REPLACEMENT PARTS M332 SERIES CAST IRON PUMPS

| ITEM | PART NO | DESCRIPTION | QTY |
|------|---------|-------------------------------|-----|
| 1 | 13719 | O-RING | 1 |
| 2 | 15035E | EPDM MECHANICAL SEAL ASSEMBLY | 1 |
| 3 | 13034 | 5/16" - 24 X 3/4" HHCS | 1 |
| 4 | 12901 | 5/16" FLAT WASHER | 4 |
| 5 | 12717 | O-RING FOR BRACKET SCREW | 8 |
| 6 | 12709 | O-RING | 4 |
| 7 | 13055 | ADAPTER SHAFT | 4 |
| 8 | 19702 | VOLUTE | 1 |
| 9 | 19772SS | 5 VANE IMPELLER | 1 |
| 9 | 15772 | IMPELLER (M332PBIW) | 1 |
| 10 | 12705 | CHECK VALVE | 1 |
| 11 | A204 | O-RING | 1 |
| 12 | 12719A | BODY O-RING | 1 |
| 13 | 12902A | IMPELLER KEY | 1 |
| 14 | 16901 | 1/4" SQ X 3/4" KEY STOCK | 1 |
| 15 | 13766 | 3/8" - 24 X 2 1/4" HFS | 1 |
| 16 | N/A | Z-RAIL | 1 |
| 17 | N/A | Z-RAIL | 1 |
| 18 | N/A | 5/16" - 18 X 1 1/4" HHCS | 4 |
| 19 | V10118 | 5/16" LOCK WASHER | 13 |
| 20 | V10119 | 5/16" HEX NUT | 4 |
| 21 | CV10175 | GASKET | 2 |
| 22 | 12777 | 1/2" PLUG | 2 |
| 23 | UV15163 | O-RING | 2 |
| 24 | 19703W | REAR BRACKET | 1 |
| 25 | 19201W | WET SEAL RESERVOIR | 1 |
| 26 | 12715A | 5/16" - 24 X 1 3/4" HHCS | 9 |
| 27 | 18034 | 5/8" - 11 JAM NUT | 1 |
| 28 | 18033 | PUMP HANDLE | 1 |
| 29 | M19712X | PUMP BODY | 1 |
| 30 | 13777 | 3/4" PLUG | 2 |
| 31 | 13778 | O-RING | 2 |



CENTRIFUGAL PUMPS

3" M332 SERIES CAST IRON MANIFOLD WET SEAL PUMPS WITH HYDRAULIC MOTORS

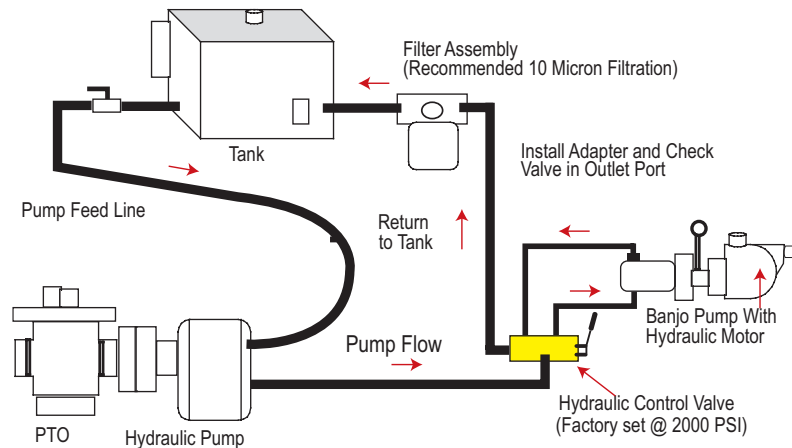
FEATURES

- Run dry capability
- Cast iron construction for rugged dependable service
- Carbon ceramic seal with stainless steel cup and spring with EPDM rubber
- Replaceable inlet and outlet flanges
- Dynamically balanced impeller
- Heavy duty slinger seal on motor shaft
- Hydraulic fluid capacity is minimum 9 gallons and maximum 13 gallons
- Open or closed system
- 3600 R.P.M.
- Recommendation to use the motor spool control valve or a suitable equivalent. The lack of such a valve in this circuit may cause failure to the hydraulic motor.
- See pages 41-47 on manifold fittings for easy plumbing.

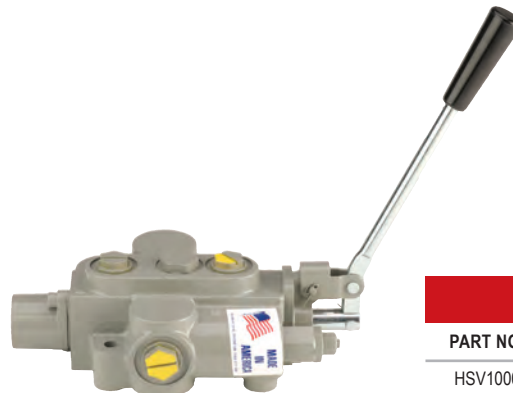


| M332 SERIES CAST IRON MANIFOLD WET SEAL PUMPS W/O HYDRAULIC MOTOR | | | | | |
|-------------------------------------------------------------------|--------------------------------------------------------|-----|-----|----------|--|
| PART NO | DESCRIPTION | HP | QTY | SKID QTY | |
| M332PIHYW | 3" MANIFOLD CAST IRON WET SEAL PUMP W/ HYDRAULIC MOTOR | 21 | 1 | 8 | |
| M332PIHAW | 3" MANIFOLD CI WET SEAL PUMP WITHOUT HYDRAULIC MOTOR | N/A | 1 | 1 | |

SPOOL VALVE ASSEMBLY DIAGRAM



WARNING! DO NOT USE WITH FLAMMABLE LIQUIDS

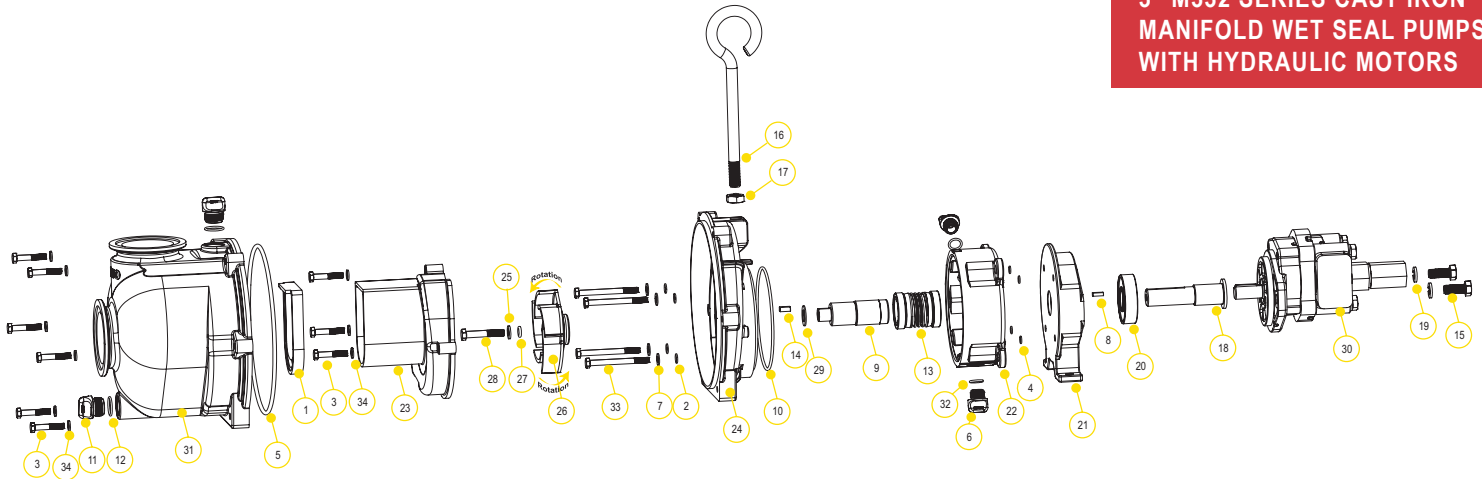


HYDRAULIC MOTOR SPOOL VALVE

| PART NO | DESCRIPTION | HP | QTY |
|---------|-----------------------------|-----|-----|
| HSV1000 | HYDRAULIC MOTOR SPOOL VALVE | N/A | 1 |

CENTRIFUGAL PUMPS

3" M332 SERIES CAST IRON MANIFOLD WET SEAL PUMPS WITH HYDRAULIC MOTORS



REPLACEMENT PARTS M332 SERIES CAST IRON PUMPS

| ITEM | PART NO | DESCRIPTION | QTY |
|------|---------|-------------------------------|-----|
| 1 | 12705 | CHECK VALVE | 1 |
| 2 | 12709 | O-RING | 4 |
| 3 | 12715A | SS BRACKET SCREWS- | 9 |
| 4 | 12717 | O-RING FOR SCREW HEAD | 4 |
| 5 | 12719A | BODY O-RING | 1 |
| 6 | 12777 | 1/2" PLUG | 2 |
| 7 | 12901 | SS REAR BRACKET WASHER | 4 |
| 8 | 12902A | IMPELLER KEY | 1 |
| 9 | 13055 | ADAPTER SHAFT | 1 |
| 10 | 13719 | O-RING | 1 |
| 11 | 13777 | 3/4" PLUG | 2 |
| 12 | 13778 | O-RING | 2 |
| 13 | 15035E | EPDM MECHANICAL SEAL ASSEMBLY | 1 |
| 14 | 16901 | 1/2" SQ. 3/4" KEY STOCK | 1 |
| 15 | N/A | BOLT | 2 |
| 16 | 18033 | HANDLE | 1 |
| 17 | 18034 | 5/8" SS JAM NUT | 1 |
| 18 | 18055H | HYDRAULIC MOTOR ADAPTER SHAFT | 1 |
| 19 | N/A | 1/2" SPLIT LOCK WASHER | 2 |
| 20 | 18502 | SKF 63306-2RS1/C3 BEARING | 1 |
| 21 | 19001H | RESERVOIR BACKING PLATE | 1 |
| 22 | 19201W | WET SEAL RESERVOIR | 1 |
| 23 | 19702 | VOLUTE | 1 |
| 24 | 19703W | REAR BRACKET | 1 |
| 25 | N/A | 3/8" FLAT WASHER | 1 |
| 26 | 19772SS | 5 VANE IMPELLER | 1 |
| 27 | A204 | O-RING | 1 |
| 28 | BF311 | 3/8" - 16 X 3" HHCS | 1 |
| 29 | CV10175 | GASKET | 1 |
| 30 | HY1012 | TYRONE® UM16 HYDRAULIC MOTOR | 1 |
| 31 | M19712X | PUMP BODY | 1 |
| 32 | UV15163 | PRIME/DRAIN PLUG O-RING | 2 |
| 33 | V10118 | 5/16" SS LOCK WASHER | 4 |
| 34 | V10117 | 5/16" X 3 1/2" SS BODY BOLT | 9 |

HYDRAULIC MOTOR DATA

| | |
|------------------------|-----------------|
| U.S. GALLONS/REV. | 0.0038 |
| CUBIC INCHES/REV. | 0.878 |
| LITERS/REV. | 0.0144 |
| MAX HYDRAULIC PRESSURE | 3000 PSI |
| MIN HYDRAULIC PRESSURE | 600 PSI |
| INLET PORT | 1-1/16-12UN-2B |
| OUTLET PORT | 1-5/16-12UN-2B |
| MINIMUM GPM REQUIRED | 9 GPM 2370 RPM |
| MAXIMUM GPM REQUIRED | 13 GPM 3450 RPM |
| IDEAL GPM REQUIRED | 9 GPM 3600 RPM |

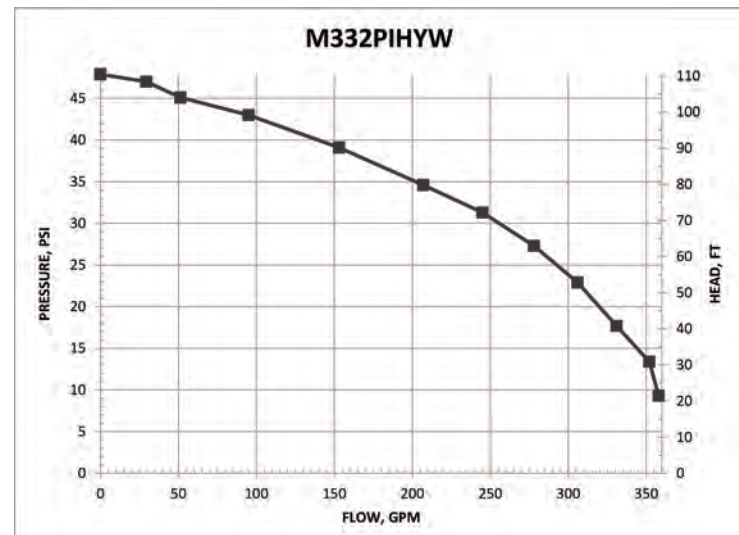
CONNECTION INFORMATION

| | |
|--------|----------|
| INLET | "A" PORT |
| OUTLET | "B" PORT |

SUPPLIED CHECK VALVE IS TO ENSURE PROPER ROTATION OF THE BANJO PUMP. PLACE CHECK VALVE IN OUTLET PORT (MARKED "B") FOR PROPER RIGHT HAND ROTATION. IT IS RECOMMENDED THAT A MINIMUM 3/4" INLET LINE & A MINIMUM 1" OUTLET LINE BE USED. THE OUTLET PORT MUST BE CONNECTED DIRECTLY BACK TO THE HYDRAULIC FLUID RESERVOIR & NOT TO ANY VALVING, REGULATORS OR FLOW DIVERTERS. THE OUTLET PORT/RETURN LINE BACK PRESSURE MUST NOT EXCEED 250 PSI.

SPOOL VALVE INFORMATION

| | |
|--------------------------|----------------------------|
| REQUIRED OUTLET FLOW | MIN 9 GPM / MAX 13 GPM |
| REQUIRED SYSTEM PRESSURE | MIN 600 PSI / MAX 3000 PSI |



CENTRIFUGAL PUMPS

4" 444 SERIES CAST IRON PUMPS

FEATURES

- Cast iron construction for rugged dependable service
- Carbon ceramic seal with stainless steel cup and spring with FKM rubber
- Replaceable inlet and outlet flanges
- Dynamically balanced impeller
- Heavy duty slinger seal on motor shaft
- Large weep holes between pump end and engine
- Recommendation for 444POI: use with 10 pound per gallon material or more
- Due to weight and size of pumps, Banjo ships these by truck only.
- Engine warranty service available at authorized dealers



444 SERIES CAST IRON PUMPS W/GAS ENGINES

| PART NO | DESCRIPTION | HP | QTY | SKID QTY |
|----------|-----------------------------------------|----|-----|----------|
| 444PIH24 | 4" CAST IRON PUMP W/24 HP HONDA® ENGINE | 24 | 1 | 1 |



444 SERIES CAST IRON PUMP BEARING PEDESTAL

| PART NO | DESCRIPTION | HP | QTY | SKID QTY |
|---------|--------------------------------------------------------------------|-----|-----|----------|
| 444PBI | 4" CAST IRON PUMP W/BEARING PEDESTAL W/ 1" SHAFT & 5 VANE IMPELLER | N/A | 1 | 6 |



444 SERIES CAST IRON PUMP ONLYS

| PART NO | DESCRIPTION | HP | QTY | SKID QTY |
|---------|-------------------------------------------------------------------------------|-----|-----|----------|
| 444POI | 4" CAST IRON PUMP ONLY W/ 1 1/4" X 3 1/2" SHAFT & 6 VANE IMPELLER UNASSEMBLED | N/A | 1 | 6 |



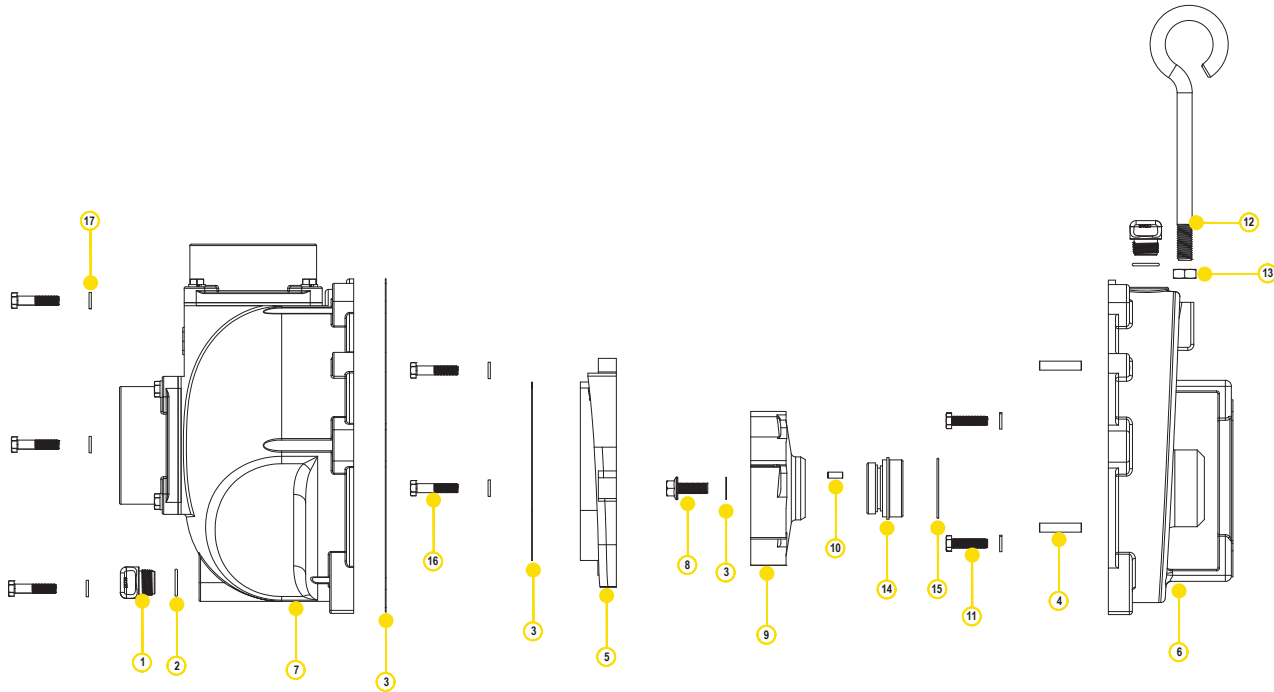
WARNING! DO NOT RUN PUMP DRY, RESTRICT OR REDUCE PORT SIZES OR DEAD HEAD PUMP



WARNING! DO NOT USE WITH FLAMMABLE LIQUIDS

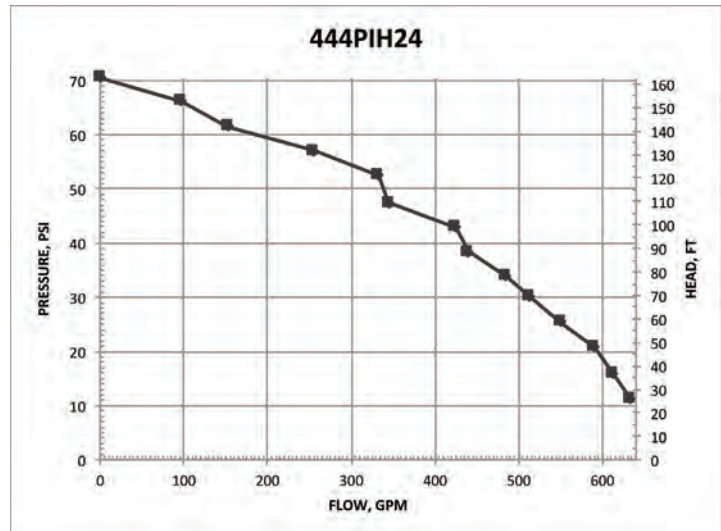
CENTRIFUGAL PUMPS

4" 444 SERIES CAST IRON PUMPS



REPLACEMENT PARTS 4" CAST IRON PUMPS

| ITEM | PART NO | DESCRIPTION | QTY |
|------|---------|--------------------------|-----|
| 1 | 13777 | 3/4" PLUG | 2 |
| 2 | 13778 | O-RING | 2 |
| 3 | 16019 | O-RINGS | 1 |
| 4 | N/A | 3/8" X 1 1/4" DOWELL PIN | 2 |
| 5 | 16702 | VOLUTE | 1 |
| 6 | 16707 | REAR BRACKET | 1 |
| 7 | 16712 | BODY | 1 |
| 8 | 16765 | IMPELLER BOLT | 1 |
| 9 | 16775 | 4" IMPELLER | 1 |
| 10 | 16901 | 1/4" SQ. 3/4" KEY STOCK | 1 |
| 11 | 18027 | 3/8" - 16 X 1.50" HHCS | 4 |
| 12 | 18033 | HANDLE | 1 |
| 13 | 18034 | 5/8" SS JAM NUT | 1 |
| 14 | 18435 | MECHANICAL SEAL | 1 |
| 15 | V10264 | O-RING | 1 |
| 16 | N/A | 3/8"-16 X 1 1/4" HHCS | 9 |
| 17 | V20018 | 3/8" SS LOCK WASHER | 13 |



Note: Please see repair parts list for 444PBI on our website.

CENTRIFUGAL PUMPS

2" STAINLESS STEEL PUMPS

FEATURES

- 316 stainless steel housing and wettable internal components including impeller, sleeve, wear plate and fasteners
- Carbon ceramic seal with 316 stainless steel cup and spring with FKM elastomer
- Replaceable inlet and outlet flanges
- Dynamically balanced impeller
- Pump only packs complete and ready for attachment to gasoline engine
- Pedestal pump for long coupling to electric motor
- Recommendation for 5/8" shaft: 56C frame size, 3 HP, 3450 RPM & 5" max impeller for close coupling to electric motors
- Recommendation for 7/8" shaft: 145TC frame size, 3 HP, 3450 RPM & 5" max impeller for close coupling to electric motors
- Engine warranty service available at authorized dealers
- Due to weight and size of pumps, Banjo ships these by truck only.



WARNING! DO NOT RUN PUMP DRY, RESTRICT OR REDUCE PORT SIZES OR DEAD HEAD PUMP



WARNING! DO NOT USE WITH FLAMMABLE LIQUIDS



2" STAINLESS STEEL PUMPS W/GAS ENGINES

| PART NO | DESCRIPTION | HP | QTY | SKID QTY |
|-----------|-----------------------------------------------------|-----|-----|----------|
| 200PH5-SS | 2" SS PUMP W/5.5 HP HONDA® ENGINE W/ PULL ROPE ONLY | 5.5 | 1 | 8 |



2" STAINLESS STEEL PUMP ONLY

| PART NO | DESCRIPTION | HP | QTY | SKID QTY |
|----------|--------------------------------------|-----|-----|----------|
| 200PO-SS | 2" SS PUMP ONLY W/ 3/4" SHAFT SLEEVE | N/A | 1 | 27 |



2" STAINLESS STEEL C-FACE PUMPS

| PART NO | DESCRIPTION | HP | QTY | SKID QTY |
|--------------|----------------------------------------|-----|-----|----------|
| 200POSSCF5/8 | 2" SS C-FACE PUMP W/ 5/8" SHAFT SLEEVE | N/A | 1 | 18 |

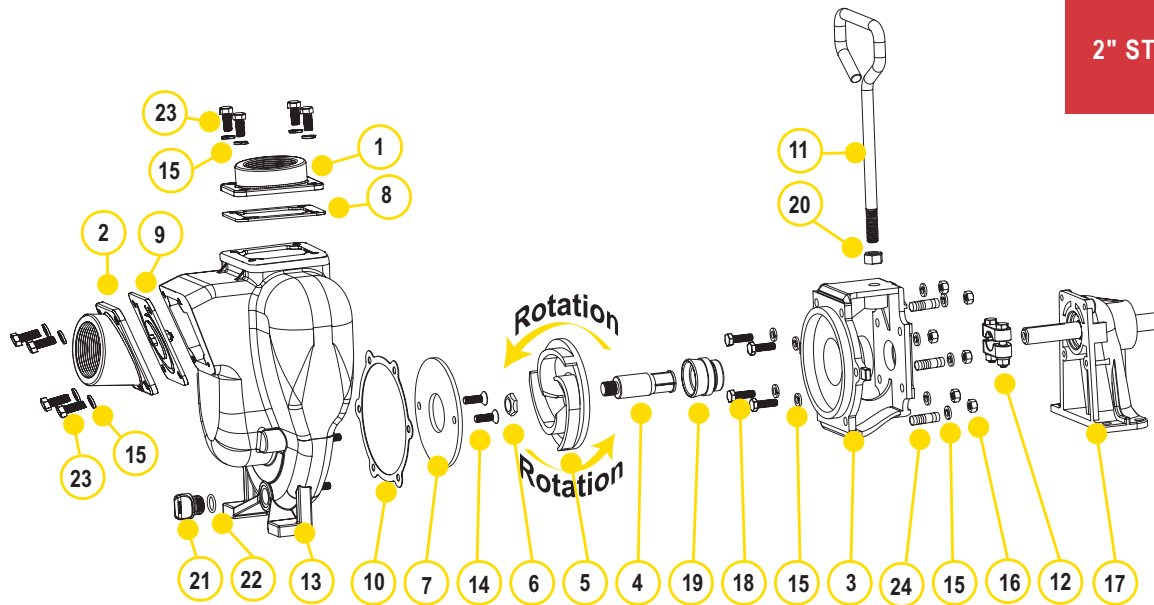


2" STAINLESS STEEL BEARING PEDESTAL

| PART NO | DESCRIPTION | HP | QTY | SKID QTY |
|----------|------------------------------------------------|-----|-----|----------|
| 200PB-SS | 2" SS BEARING PEDESTAL W/ 3/4" STRAIGHT SHAFT* | N/A | 1 | 18 |

CENTRIFUGAL PUMPS

2" STAINLESS STEEL PUMPS

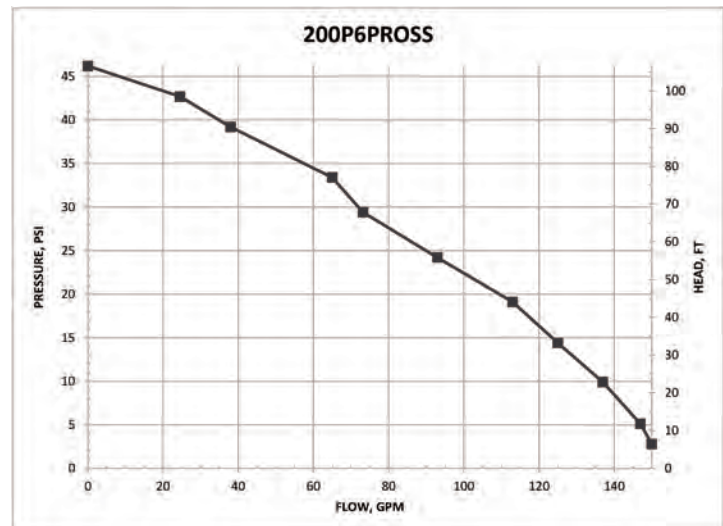


REPLACEMENT PARTS 2" STAINLESS STEEL PUMPS

| ITEM | PART NO | DESCRIPTION | QTY |
|------|----------|---------------------------------------------|-----|
| 1 | 17000SS | 2" NPT SS OUTLET FLANGE | 1 |
| 2 | 17002SS | 2" NPT SS INLET FLANGE | 1 |
| 3 | 17004SS | SS ADAPTER FOR GAS ENGINE | 1 |
| 3 | 17046SS | CF ADAPTER FOR ELECTRIC MOTOR | 1 |
| 4 | 17005 | 5/8" SS SLEEVE DRIVE | 1 |
| 4 | 17006 | 3/4" SS SLEEVE DRIVE | 1 |
| 4 | 17007 | 7/8" SS SLEEVE DRIVE | 1 |
| 5 | 17008SS | SS IMPELLER | 1 |
| 5 | N/A | 4.1" SS IMPELLER | 1 |
| 5 | N/A | 4.6" SS IMPELLER | 1 |
| 6 | 17009B | 5/8" IMPELLER NUT | 1 |
| 7 | 17011SS | SS WEAR PLATE | 1 |
| 8 | 17014 | FKM OUTLET GASKET | 1 |
| 9 | 17017 | FKM CHECK VALVE ASSEMBLY GASKET | 1 |
| 10 | 17018 | ADAPTER GASKET | 1 |
| 11 | 15022 | HANDLE | 1 |
| 12 | 17023 | 5/8" CLAMP, 3/4" SS SHAFT (OLD STYLE) | 1 |
| 12 | 17123 | 5/8" CLAMP, 3/4" SS SHAFT (KEYED CLAMP) | 1 |
| 12 | 17024 | 7/8" CLAMP, 3/4" SS SHAFT | 1 |
| 13 | 17026SS | SS PUMP HOUSING | 1 |
| 14 | 17130SS | 5/16-18 X 1.00" FHSCS, 316 SS | 2 |
| 15 | V10118 | 5/16" LOCK WASHER | 18 |
| 16 | V10119 | 5/16" -18 SS HEX NUT | 6 |
| 17 | 12882A | BEARING PEDESTAL ASSEMBLY W/ 3/4" SHAFT | 1 |
| 18 | 17040 | BOLT | 4 |
| 19 | 17035SS | FKM SS SEAL ASSEMBLY | 1 |
| 20 | 17010 | 1/2" - 24 X 1" HHCS | 1 |
| 21 | 12777SS | 1/2" STAINLESS STEEL PLUG | 1 |
| 22 | UV15163V | O-RING FKM | 1 |
| 23 | 17019 | 5/16" - 18 X 3/4" CAP SCREW | 8 |
| 24 | 17042 | STUD | 6 |
| KIT | 17100SS | PUMP REPAIR KIT(CONSISTS OF 4,5,7,10,14,19) | 1 |

KITS 2" SS PUMPS

| PART NO | FKM REPAIR KIT NO |
|-----------|-------------------|
| 200PH5-SS | 17100SS |
| 200PB-SS | 17100SS |
| 200PO-SS | 17100SS |

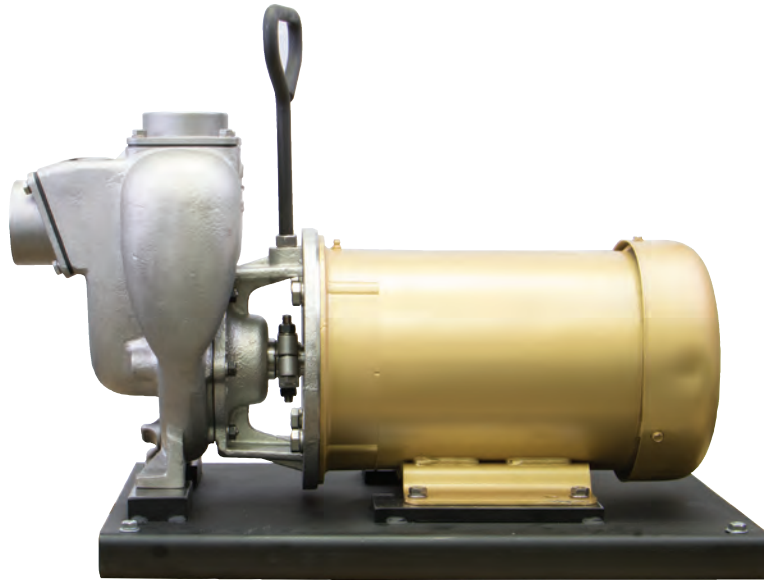


CENTRIFUGAL PUMPS

2" STAINLESS STEEL PUMPS WITH ELECTRIC MOTORS

FEATURES

- Stainless steel construction for rugged dependable service
- Stainless steel shaft sleeve to protect engine shaft
- Replaceable inlet and outlet flanges
- Dynamically balanced impeller
- Due to weight and size of pumps, Banjo ships these by truck only.
- Motor warranty service available at authorized dealers
- Motor features include pressure cast aluminum end plates with ribbed design for rigidity, heavy gauge steel frame, 230 volt, with inverter spike resistance magnet wire



2" STAINLESS STEEL PUMPS W/ELECTRIC MOTORS

| PART NO | DESCRIPTION | HP | QTY | SKID QTY |
|----------|-----------------------------------------------------------|----|-----|----------|
| 234PE5SS | 2" STAINLESS STEEL PUMP W/5 HP THREE PHASE ELECTRIC MOTOR | 5 | 1 | 3 |



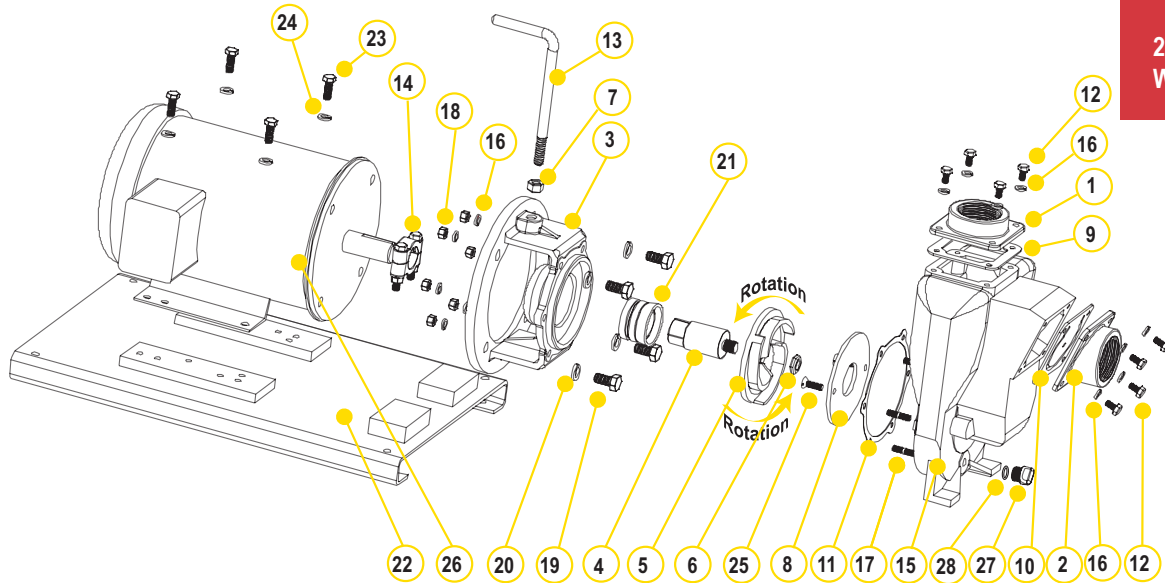
WARNING! DO NOT RUN PUMP DRY, RESTRICT OR REDUCE PORT SIZES OR DEAD HEAD PUMP



WARNING! DO NOT USE WITH FLAMMABLE LIQUIDS

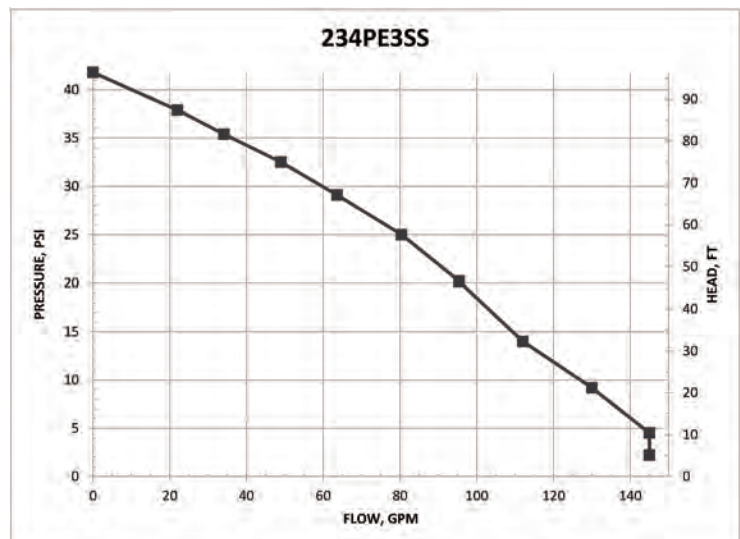
CENTRIFUGAL PUMPS

2" STAINLESS STEEL PUMPS
WITH ELECTRIC MOTORS



REPLACEMENT PARTS 2" STAINLESS STEEL PUMPS

| ITEM | PART NO | DESCRIPTION | QTY |
|------|----------|---------------------------------------|-----|
| 1 | 17000SS | 2" NPT OUTLET FLANGE | 1 |
| 2 | 17002SS | 2" NPT INLET FLANGE | 1 |
| 3 | 17446SS | C-FACE ADAPTER (234PE5SS & 234PE51SS) | 1 |
| 4 | 17406 | IMPELLER SHAFT (234PE5SS & 234PE51SS) | 1 |
| 5 | 17408SS | IMPELLER | 1 |
| 6 | 17009B | 5/8" IMPELLER NUT | 1 |
| 7 | 17010 | 1/2" HEX NUT | 1 |
| 8 | 17011SS | WEAR PLATE | 1 |
| 9 | 17014 | FKM OUTLET GASKET | 1 |
| 10 | 17017 | FKM GASKET & CHECK VALVE | 1 |
| 11 | 17018 | ADAPTER GASKET | 1 |
| 12 | 17019 | BOLT | 8 |
| 13 | 15022 | HANDLE | 1 |
| 14 | 18129 | CLAMP ASSEMBLY | 1 |
| 15 | 17026SS | PUMP HOUSING | 1 |
| 16 | V10118 | 5/16" LOCK WASHER | 20 |
| 17 | 17042 | HOUSING STUD | 6 |
| 18 | V10119 | HEX NUT | 8 |
| 19 | N/A | BOLT | 4 |
| 20 | N/A | WASHER | 4 |
| 21 | 18025SS | SEAL ASSEMBLY (234PE5SS & 234PE51SS) | 1 |
| 22 | 17701 | BASE PLATE ASSEMBLY | 1 |
| 23 | 17704 | BOLT | 4 |
| 24 | V20018 | 3/8" LOCK WASHER | 4 |
| 25 | 17130SS | 5/16-18 X 1.00" FHSCS, 316 SS | 2 |
| 26 | N/A | ELECTRIC MOTOR | 1 |
| 27 | 12777SS | 1/2" STAINLESS STEEL PLUG | 1 |
| 28 | UV15163V | FKM O-RING | 1 |

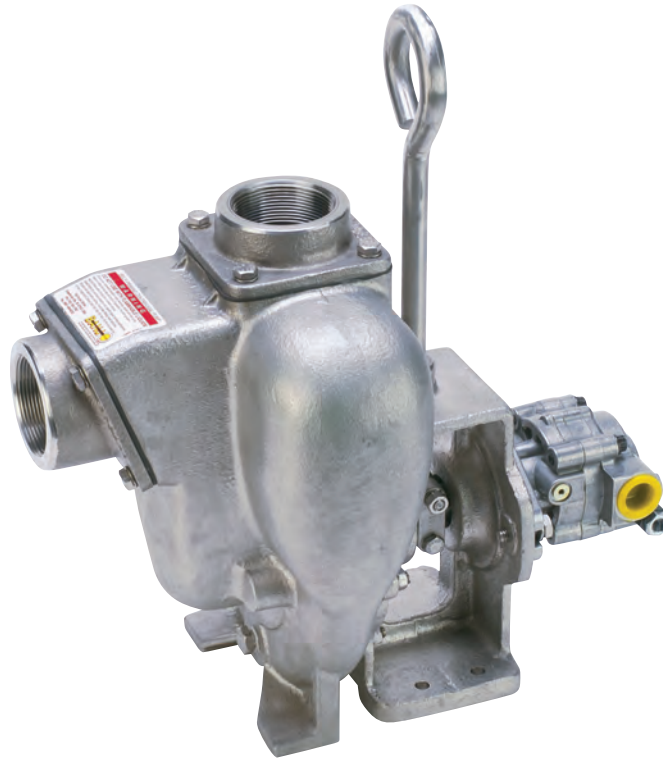


CENTRIFUGAL PUMPS

2" STAINLESS STEEL PUMPS WITH HYDRAULIC MOTORS

FEATURES

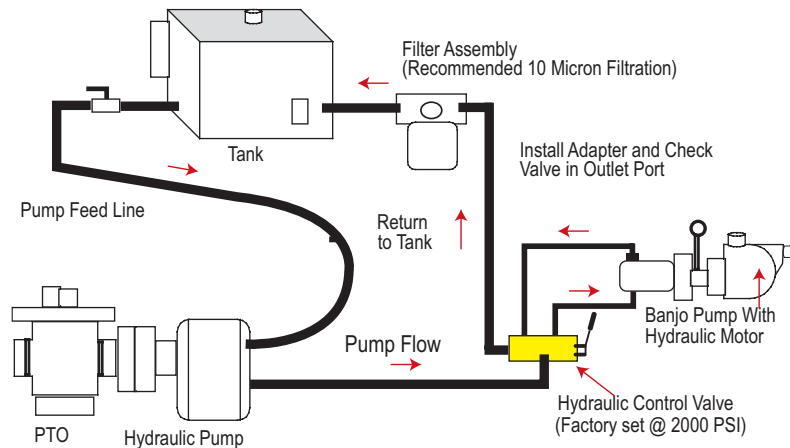
- Cast iron construction for rugged dependable service
- Stainless steel hardware
- Replaceable inlet and outlet flanges
- Dynamically balanced impeller
- Hydraulic fluid capacity is minimum 6 gallons and maximum 10 gallons
- Open or closed system
- 12 HP motor
- Recommendation to use the motor spool control valve or a suitable equivalent. The lack of such a valve in this circuit may cause failure to the hydraulic motor.



2" STAINLESS STEEL PUMPS W/ HYDRAULIC MOTORS

| PART NO | DESCRIPTION | HP | QTY | SKID QTY |
|----------|--------------------------------------------------|----|-----|----------|
| 200PHYSS | 2" STAINLESS STEEL PUMP W/ 12 HP HYDRAULIC MOTOR | 12 | 1 | 18 |

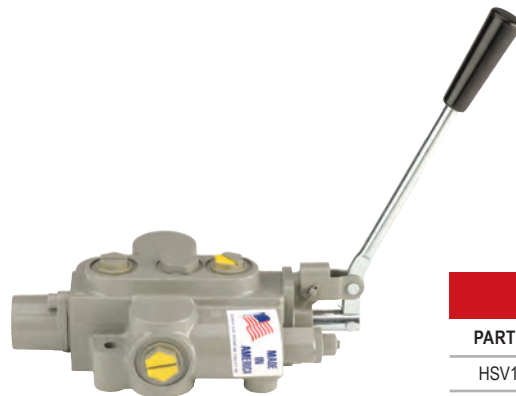
SPOOL VALVE ASSEMBLY DIAGRAM



WARNING! DO NOT RUN PUMP DRY, RESTRICT OR REDUCE PORT SIZES OR DEAD HEAD PUMP



WARNING! DO NOT USE WITH FLAMMABLE LIQUIDS

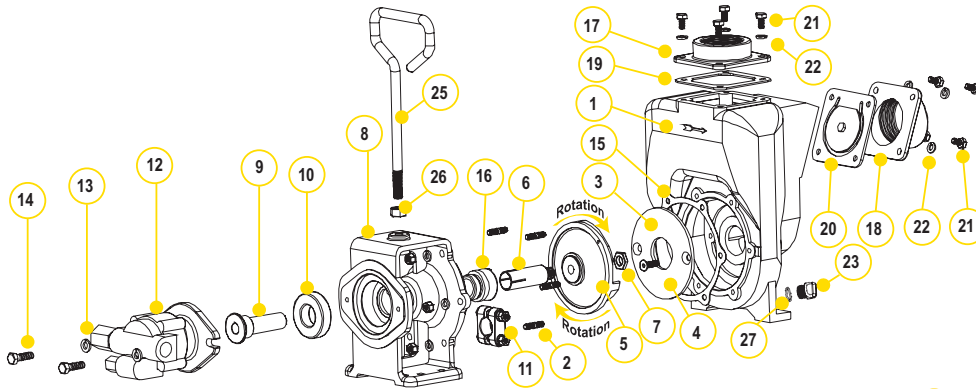


HYDRAULIC MOTOR SPOOL VALVE

| PART NO | DESCRIPTION | HP | QTY |
|---------|-----------------------------|-----|-----|
| HSV1000 | HYDRAULIC MOTOR SPOOL VALVE | N/A | 1 |

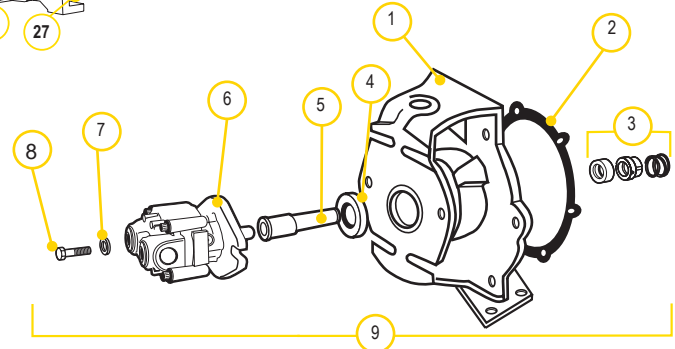
CENTRIFUGAL PUMPS

2" STAINLESS STEEL PUMPS WITH HYDRAULIC MOTORS



REPLACEMENT PARTS 2" STAINLESS STEEL PUMPS

| ITEM | PART NO | DESCRIPTION | QTY |
|------|----------|----------------------------------------|-----|
| 1 | 17026SS | PUMP HOUSING | 1 |
| 2 | 17042 | PUMP HOUSING STUD | 6 |
| 3 | 17011SS | WEAR PLATE | 1 |
| 4 | 17130SS | 5/16-18 X 1.00" FHSCS, 316 SS | 2 |
| 5 | 17008SS | 5" IMPELLER | 1 |
| 6 | 17007 | 7/8" SLEEVE DRIVE FOR ELECTRIC MOTOR | 1 |
| 7 | 17009B | 5/8" IMPELLER NUT | 1 |
| 8 | 17049ASS | HYDRAULIC ADAPTER | 1 |
| 9 | 17055A | HYDRAULIC ADAPTER SHAFT | 1 |
| 10 | 17056 | SKF 6206-2RS1 BEARING | 1 |
| 11 | 17024 | 7/8" CLAMP, NO KEY | 1 |
| 12 | HY1013 | MGG20025BC1D3 HYDRAULIC MOTOR ASSEMBLY | 1 |
| 13 | V20018 | 3/8" LOCK WASHER | 2 |
| 14 | 18010SS | 3/8" - 16 X 1.25" HHHCS | 2 |
| 15 | 17018 | GASKET ADAPTER | 1 |
| 16 | 17035SS | FKM SEAL ASSEMBLY | 1 |
| 17 | 17000SS | 2" NPT OUTLET FLANGE | 1 |
| 18 | 17002SS | 2" NPT INLET FLANGE | 1 |
| 19 | 17014 | FKM GASKET | 1 |
| 20 | 17017 | GASKET CHECK VALVE ASSEMBLY | 1 |
| 21 | 17019 | 5/16" - 18 X 0.75" CAP SCREW | 8 |
| 22 | V10118 | 5/16" SPLIT LOCK WASHER | 14 |
| 23 | 12777SS | 1/2" STAINLESS STEEL PLUG | 1 |
| 24 | V10119 | 5/16"-18 HEX NUT | 6 |
| 25 | 15022 | HANDLE | 1 |
| 26 | 17010 | 1/2" HEX NUT -13UNF-RH | 1 |
| 27 | UV15163V | O-RING FKM | 1 |



HYDRAULIC MOTOR DATA

| | |
|------------------------|------------------------|
| U.S. GALLONS/REV. | 0.0025 |
| CUBIC INCHES/REV. | 0.580 |
| LITERS/REV. | 0.0097 |
| MAX HYDRAULIC PRESSURE | 2000 PSI |
| MIN HYDRAULIC PRESSURE | 200 PSI |
| INLET PORT | SAE 10 (7/8-14 UNF-2B) |
| OUTLET PORT | SAE 10 (7/8-14 UNF-2B) |
| MINIMUM GPM REQUIRED | 6 GPM 2400 RPM |
| MAXIMUM GPM REQUIRED | 10 GPM 4000 RPM |
| IDEAL GPM REQUIRED | 9 GPM 3600 RPM |

CONNECTION INFORMATION

| | |
|--------|----------|
| INLET | "A" PORT |
| OUTLET | "B" PORT |

SUPPLIED CHECK VALVE IS TO ENSURE PROPER ROTATION OF THE BANJO PUMP. PLACE CHECK VALVE IN OUTLET PORT (MARKED "B") FOR PROPER RIGHT HAND ROTATION.

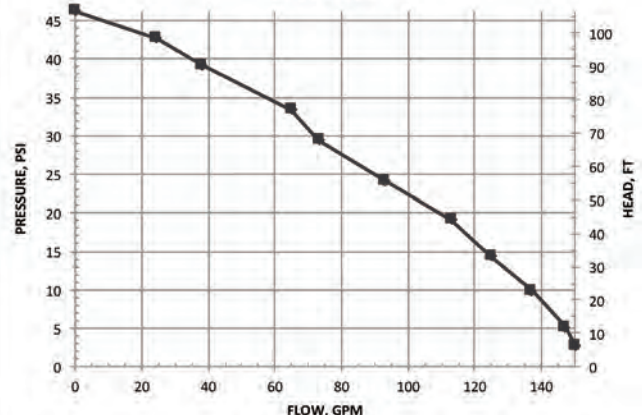
SPOOL VALVE INFORMATION

| | |
|--------------------------|----------------------------|
| REQUIRED OUTLET FLOW | MIN 6 GPM / MAX 10 GPM |
| REQUIRED SYSTEM PRESSURE | MIN 500 PSI / MAX 2000 PSI |

REPLACEMENT PARTS 2" HYDRAULIC ADAPTER

| ITEM | PART NO | DESCRIPTION | QTY |
|------|----------|----------------------------|-----|
| 1 | 17049ASS | SS HYDRAULIC MOTOR ADAPTER | 1 |
| 2 | 17018 | GASKET ADAPTER | 1 |
| 3 | 17035SS | SEAL ASSEMBLY | 1 |
| N/S | 17007 | 7/8" SS SHAFT SLEEVE | 1 |
| 4 | 17056 | SKF 6206-2RS1 BEARING | 1 |
| 5 | 17055A | HYDRAULIC ADAPTER SHAFT | 1 |
| 6 | HY1013 | GRESEN® HYDRAULIC MOTOR | 1 |
| 7 | V20018 | LOCK WASHER | 2 |
| 8 | 18010SS | BOLT | 2 |

200PHYSS

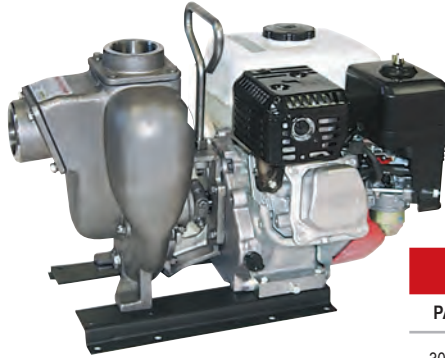


CENTRIFUGAL PUMPS

3" STAINLESS STEEL PUMPS

FEATURES

- 316 stainless steel housing and wettable internal components including impeller, sleeve, wear plate and fasteners
- Carbon ceramic seal with 316 stainless steel cup and spring with FKM elastomer
- Replaceable inlet and outlet flanges
- Dynamically balanced impeller
- Pump only packs complete and ready for attachment to gasoline engine
- Pedestal pump for long coupling to electric motor
- Recommendation for $\frac{5}{8}$ " shaft: 56C frame size, 3 HP, 3450 RPM & 5" max impeller for close coupling to electric motors
- Recommendation for $\frac{7}{8}$ " shaft: 145TC frame size, 3 HP, 3450 RPM & 5" max impeller for close coupling to electric motors
- Engine warranty service available at authorized dealers
- Due to weight and size of pumps, Banjo ships these by truck only.



3" STAINLESS STEEL PUMPS W/GAS ENGINES

| PART NO | DESCRIPTION | HP | QTY | SKID QTY |
|-----------|---------------------------------------------------------------|----|-----|----------|
| 300PH13SS | 3" SS PUMP W/13 HP HONDA® ENGINE W/ELECTRIC START & PULL ROPE | 13 | 1 | 6 |



3" STAINLESS STEEL PUMP ONLY

| PART NO | DESCRIPTION | HP | QTY | SKID QTY |
|----------|------------------------------------|-----|-----|----------|
| 300PO-SS | 3" SS PUMP ONLY W/ 1" SHAFT SLEEVE | N/A | 1 | 8 |



3" STAINLESS STEEL BEARING PEDESTAL

| PART NO | DESCRIPTION | HP | QTY | SKID QTY |
|----------|---------------------------------------------|-----|-----|----------|
| 300PB-SS | 3" SS BEARING PEDESTAL W/ 1" STRAIGHT SHAFT | N/A | 1 | 8 |



3" STAINLESS STEEL PUMPS W/ HYDRAULIC MOTOR

| PART NO | DESCRIPTION | HP | QTY | SKID QTY |
|----------|--------------------------------------------------|----|-----|----------|
| 300PHYSS | 3" STAINLESS STEEL PUMP W/ 21 HP HYDRAULIC MOTOR | 12 | 1 | 8 |



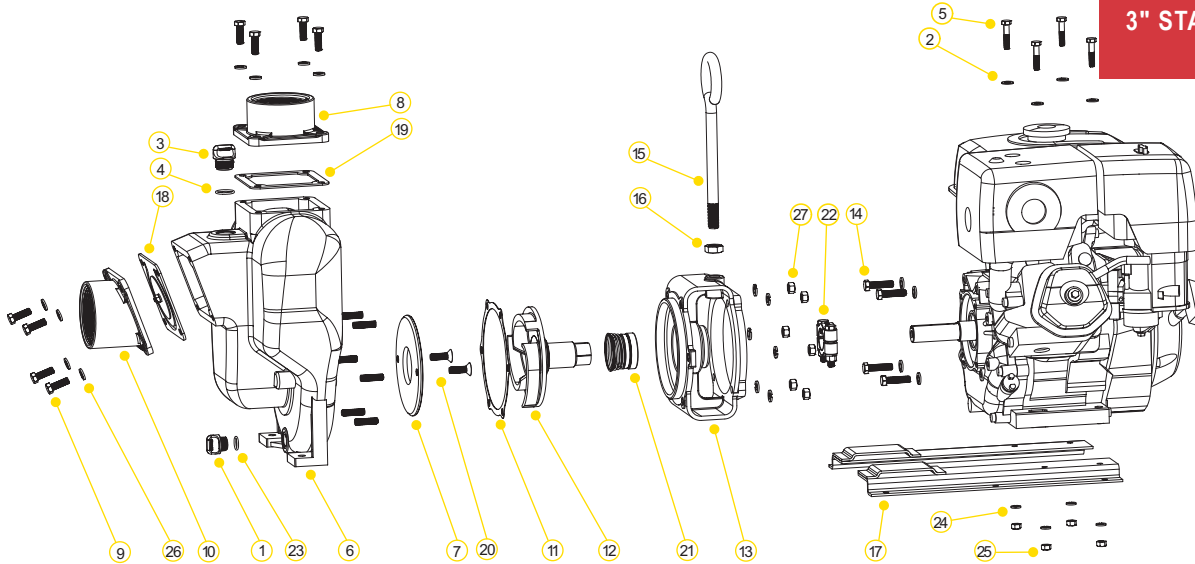
WARNING! DO NOT RUN PUMP DRY, RESTRICT OR REDUCE PORT SIZES OR DEAD HEAD PUMP



WARNING! DO NOT USE WITH FLAMMABLE LIQUIDS

CENTRIFUGAL PUMPS

3" STAINLESS STEEL PUMPS

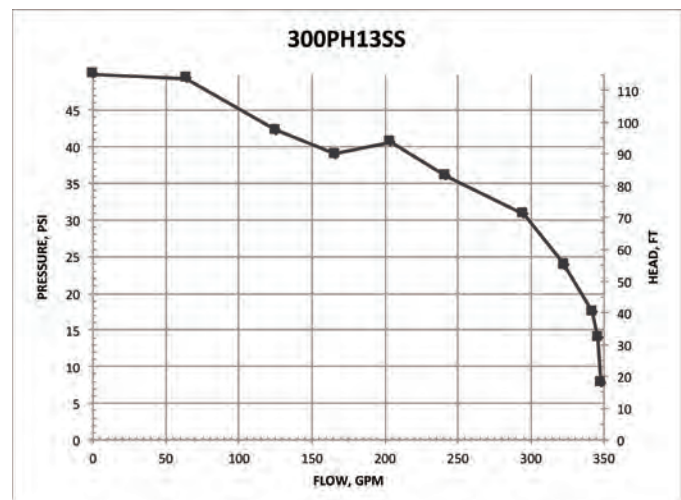


REPLACEMENT PARTS 3" STAINLESS STEEL PUMPS

| ITEM | PART NO | DESCRIPTION | QTY |
|------|---------------|---------------------------------------------------------------|-----|
| 1 | 1277SS | ½" STAINLESS STEEL PLUG | 1 |
| 2 | 12901 | SS REAR BRACKET WASHER | 4 |
| 3 | 1377SS | ¾" STAINLESS STEEL PLUG | 1 |
| 4 | 13778V | O-RING FKM | 1 |
| 5 | N/A | ⅝" - 18 X 1¾" ZINC PLATED | 4 |
| 6 | 18001SS | SS PUMP HOUSING | 1 |
| 7 | 18004SS | SS WEAR PLATE | 1 |
| 8 | N/A | 3" NPT OUTLET FLANGE | 1 |
| 9 | 18010SS | ⅜" - 16 X 1½" SS CAP SCREW HXHD | 8 |
| 10 | N/A | 3" NPT INLET FLANGE | 1 |
| 11 | 18021 | ADAPTER GASKET | 1 |
| 12 | 18023SS | 1" SS IMPELLER & DRIVE SHAFT FOR GAS ENGINE | 1 |
| 12 | 18023-1.125SS | 1¼" SS IMPELLER & DRIVE SHAFT FOR ELECTRIC MOTOR (300PO-SSCF) | 1 |
| 13 | 18026SS | ADAPTER FOR GAS ENGINE | 1 |
| 13 | 18049SS | ADAPTER FOR HYDRAULIC MOTOR (300PHYSS) | 1 |
| 14 | 18027 | ⅜" - 16 X 1½" HHCS | 4 |
| 15 | 18033 | HANDLE | 1 |
| 16 | 18034 | ⅝" SS JAM NUT | 1 |
| 17 | 18035 | Z RAILS | 1 |
| 18 | 18042 | FKM GASKET CHECKVALVE ASSEMBLY | 1 |
| 19 | 18044 | FKM OUTLET GASKET | 1 |
| 20 | 18106SS | WEAR PLATE FLAT HEAD SCREW | 2 |
| 21 | 18025SS | FKM SEAL ASSEMBLY | 1 |
| 22 | 18129 | CLAMP ASSEMBLY | 1 |
| 23 | UV15163V | O-RING FKM | 1 |
| 24 | V10118 | ⅝" LOCK WASHER | 4 |
| 25 | V10119 | ⅝" - 18 SS HEX NUT | 4 |
| 26 | V20018 | ⅜" SS LOCK WASHER | 18 |
| 27 | V20019 | ⅜" 16 SS HEX NUT | 6 |
| KIT | 18100SS | REPAIR KIT (CONSIST OF ITEMS 7, 11, 12, 20 & 21) | 1 |

KITS 3" SS STEEL PUMPS

| PART NO | FKM REPAIR KIT NO |
|-----------|-------------------|
| 300PH13SS | 18100SS |
| 300PB-SS | 18100SS |
| 300PO-SS | 18100SS |



Note: Please see repair parts list for 300PHYSS on our website.

REFERENCE

| PART NO | PAGE NO(S) | WEIGHT | PART NO | PAGE NO(S) | WEIGHT | PART NO | PAGE NO(S) | WEIGHT |
|---------|--------------------------------------------------------------------------------------|--------|---------|--------------------------------------------------|--------|---------|----------------------------------------|--------|
| 12046 | 103, 133 | 0.5 | 15752 | 133, 131 | 0.002 | 17026 | 123, 127, 129 | 21.23 |
| 12049 | 6, 105, 115 | 1.1 | 15772 | 131, 133, 143 | 1.75 | 17028 | 123 | 0.16 |
| 12052 | 103, 133 | N/A | 15999 | 131, 133 | 0.282 | 17032 | 125 | 0.036 |
| 12099 | 99, 103, 105, 107, 111, 113, 115, 131, 133 | 0.07 | 16001 | 141 | 4.808 | 17033 | 123, 131 | 3.018 |
| 12155 | 101, 109, 117, 119 | 1.19 | 16003 | 141 | 5.688 | 17035 | 123, 127, 129 | 0.18 |
| 12705 | 99, 101, 103, 105, 107, 109, 111, 113, 115, 117, 119, 131, 133, 143, 145 | 0.26 | 16011 | 141 | 0.098 | 17040 | 119, 145 | 0.028 |
| 12709 | 101, 109, 117, 119, 143, 145 | 0.001 | 16019 | 141, 147 | 0.068 | 17042 | 123, 127, 149, 151, 153 | 0.02 |
| 12710 | 99, 103, 105, 107, 111, 113, 115, 131, 133 | 0.01 | 16099 | 141 | 0.25 | 17046 | 123, 127 | 7.572 |
| 12713 | 99, 103, 105, 107, 111, 113, 115 | 0.11 | 16702 | 141, 147 | 11 | 17049A | 6, 129 | 10.738 |
| 12716 | 99, 103, 107, 111, 113, 131 | 0.02 | 16704 | 141 | 41.5 | 17056 | 129, 153 | 0.462 |
| 12717 | 99, 101, 103, 105, 107, 109, 111, 113, 115, 117, 119, 131, 133, 143, 145 | 0.001 | 16706 | 141 | 0.888 | 17100 | 123 | 4 |
| 12720 | 99, 101, 103, 105, 107, 109, 111, 113, 115, 117, 119 | 0.03 | 16707 | 147 | 4 | 17123 | 123, 125, 149 | 0.384 |
| 12723 | 91 | 0.01 | 16710 | 141 | 0.002 | 17130 | 123, 125, 127 | 0.022 |
| 12724 | 91 | 0.001 | 16712 | 147 | 58 | 17202 | 125 | 3.738 |
| 12725 | 99, 101, 103, 105, 107, 109, 111, 113, 115, 117, 119 | 0.002 | 16713 | 141 | 0.2 | 17208 | 125 | 1.802 |
| 12754 | 99, 101, 103, 105, 107, 109, 111, 113, 115, 117, 119 | 0.002 | 16733 | 141 | 55 | 17226 | 125 | 25.21 |
| 12756 | 103, 133 | 1.44 | 16751 | 141 | 0.024 | 17235 | 125 | 0.35 |
| 12766 | 101, 109, 119 | 0.08 | 16752 | 141 | 0.004 | 17242 | 125 | 0.032 |
| 12772 | 99, 101, 103, 105, 107, 109 | 0.21 | 16765 | 141, 147 | 0.098 | 17406 | 127, 151 | 0.638 |
| 12777 | 49, 87, 91, 99, 101, 103, 105, 109, 117, 123, 125, 127, 129, 135, 137, 139, 143, 145 | 0.018 | 16773 | 141 | 3.452 | 17408 | 127 | 2 |
| 12900 | 99, 101, 103, 105, 107, 109, 111, 113, 115, 117, 119 | 0.008 | 16774 | 141 | 2.75 | 17446 | 127 | 18 |
| 12901 | 99, 103, 105, 107, 111, 113, 115, 131, 133, 143, 145, 155 | 0.004 | 16775 | 147 | 4.242 | 17701 | 103, 127, 133, 151 | 29.5 |
| 13034 | 101, 109, 113, 117, 119 | N/A | 16901 | 119, 117, 141, 143, 145, 147 | 0.01 | 17704 | 103, 127, 133, 135, 137, 141, 151 | 0.046 |
| 13055 | 117, 143, 145 | 0.674 | 17000 | 123, 125, 127, 131 | 1.528 | 18001 | 135, 137, 139 | 65.65 |
| 13702 | 109, 111, 113, 117, 119 | 1.479 | 17001 | 123 | 1.472 | 18004 | 135, 137, 139 | 1.628 |
| 13712 | 111, 115, 117 | 4.018 | 17002 | 123, 125, 127 | 1.888 | 18008 | 135, 137, 139 | 3.802 |
| 13719 | 101, 109, 117, 119, 143, 145 | 0.012 | 17003 | 123 | 1.926 | 18009 | 135, 137, 139 | 0.036 |
| 13765 | 111, 113, 141 | 0.05 | 17004 | 123 | 6.19 | 18012 | 135, 137, 139 | 3.906 |
| 13766 | 117, 143 | 0.084 | 17005 | 123, 149 | 0.376 | 18013 | 135, 137, 139 | 0.53 |
| 13771 | 111, 113, 117 | 0.204 | 17006 | 123, 149 | 0.25 | 18021 | 135, 137, 139, 155 | 0.012 |
| 13772 | 111, 113, 115, 117, 119 | 0.223 | 17007 | 123, 127, 129, 149, 153 | 0.216 | 18025 | 127, 135, 139 | 0.39 |
| 13777 | 51, 95, 111, 113, 115, 131, 133, 135, 137, 139, 141, 143, 145, 147 | 0.025 | 17008 | 123, 127, 129 | 2 | 18026 | 135 | 9.91 |
| 13778 | 51, 95, 111, 113, 115, 131, 133, 135, 137, 139, 141, 143, 145, 147 | 0.002 | 17010 | 123, 125, 127, 129, 131, 133, 139, 149, 151, 153 | 0.036 | 18027 | 141, 147, 155 | 0.056 |
| 13999 | 111, 113, 115 | 0.266 | 17011 | 123, 125, 127 | 0.866 | 18029 | 135, 139 | 0.63 |
| 15000 | 131, 133 | 2.244 | 17013 | 123, 125, 127, 131 | 0.034 | 18033 | 135, 137, 139, 141, 143, 145, 147, 155 | 1.236 |
| 15022 | 123, 125, 127, 129, 131, 133, 149, 151, 153 | 1.124 | 17014 | 149, 151, 153 | 0.042 | 18034 | 135, 137, 139, 141, 143, 145, 147, 155 | 0.048 |
| 15025 | 144 | N/A | 17016 | 123, 125, 127 | 0.214 | 18035 | 135, 155 | 2.73 |
| 15035 | 117 | 0.35 | 17017 | 149, 151, 153 | 0.262 | 18042 | 155 | 0.584 |
| 15702 | 131, 133 | 9.086 | 17018 | 123, 125, 127, 129, 149, 151, 153 | 0.01 | 18044 | 155 | 0.056 |
| 15703 | 131, 133 | 14.978 | 17019 | 123, 125, 127, 131, 149, 151, 153 | 0.024 | 18048 | 135 | 12.788 |
| 15712 | 131, 133 | 26.082 | 17023 | 123, 149 | 0.386 | 18049 | 135, 139 | 20.516 |
| 15751 | 103, 113, 131, 133 | 0.014 | 17024 | 123, 127, 129, 149, 153 | 0.128 | 18055 | 135, 139 | 0.834 |

REFERENCE

| PART NO | PAGE NO(S) | WEIGHT | PART NO | PAGE NO(S) | WEIGHT | PART NO | PAGE NO(S) | WEIGHT |
|-----------|----------------------------------|--------|-----------|--------------------------------------------------------------------------|--------|-----------------|----------------------------------------|--------|
| 18056 | 139 | 0.1 | 125C | 73, 74 | 0.29 | 150B | 73, 74 | 0.57 |
| 18100 | 135, 139 | 7.2 | 125D | 73, 74 | 0.31 | 150C | 73, 74 | 0.57 |
| 18106 | 135, 137, 139 | 0.04 | 125E | 73, 74 | 0.11 | 150C90 | 77 | 0.62 |
| 18129 | 127, 135, 137, 151, 155 | 0.64 | 125F | 73, 74 | 0.98 | 150CAP | 73, 74 | 0.54 |
| 18206 | 137 | 4.8 | 12600B | 105, 115, 131 | 14 | 150D | 73, 74 | 0.59 |
| 18218 | 135, 137, 139 | 1.436 | 12702A | 99, 101, 103, 105, 107, 109 | 1.21 | 150D90 | 77 | 0.65 |
| 18435 | 147 | 1 | 12703A | 99, 103, 105, 107, 111, 113, 115 | 2.37 | 150E | 73, 74 | 0.21 |
| 18500 | 135, 137, 141 | 13 | 12703AW | 117 | 2.79 | 150F | 73, 74 | 0.21 |
| 18502 | 135, 139, 145 | 0.802 | 12705V | 99, 103, 117 | 0.24 | 150F90 | 77 | 0.267 |
| 18504 | 135 | 1.928 | 12707W | 101, 109, 119 | 2.79 | 150G | 47, 70, 76 | 0.015 |
| 18511 | 141 | 3.404 | 12709V | 117 | 0.001 | 150GV | 47, 70, 76 | 0.3 |
| 18512 | 141 | 0.036 | 12710V | 99, 103 | 0.01 | 150PL | 73, 74 | 0.16 |
| 18600 | 139 | N/A | 12712A | 99, 101, 103, 105 | 3.25 | 150POICF5/8-4.1 | 122 | 47 |
| 18700 | 97 | 1.728 | 12713V | 99, 103, 131, 133 | 0.12 | 150RING | 76 | 0.026 |
| 18702 | 139, 141 | 1.794 | 12715A | 99, 105, 107, 111, 113, 115, 131, 133, 143, 145 | 0.05 | 15999V | 131, 133 | 0.288 |
| 050C | 73 | 0.14 | 12717V | 99, 103, 117 | 0.01 | 16704A | 141 | 41.5 |
| 050D | 73 | 0.16 | 12719A | 99, 101, 103, 105, 107, 109, 111, 113, 115, 119, 131, 133, 143, 145 | 0.05 | 16774A | 141 | 2.931 |
| 050E | 73 | 0.05 | 12719AV | 99, 103 | 0.05 | 17000SS | 149, 151, 153 | 1.58 |
| 050F | 73 | 0.06 | 12754V | 99, 103, 117 | 0.01 | 17002SS | 149, 151, 153 | 2.038 |
| 075C | 73, 74 | 0.15 | 12765A | 99, 103, 105, 107, 111, 113, 115, 131, 133 | 0.05 | 17008-4.1 | 123 | 1.534 |
| 075CAP | 73, 74 | 0.13 | 12771A | 99, 107 | 0.22 | 17008SS | 149, 153 | 2 |
| 075D | 73, 74 | 0.15 | 12775A | 99, 101, 103, 105, 107, 109, 111, 113, 115, 117 | 0.01 | 17009B | 123, 125, 127, 129, 149, 151, 153 | 0.022 |
| 075E | 73, 74 | 0.06 | 12777SS | 149, 151, 153, 155 | 0.14 | 17011SS | 149, 151, 153 | 0.888 |
| 075F | 73, 74 | 0.06 | 12882A | 99, 111, 113, 123, 125, 131, 149 | 7.6 | 17026SS | 149, 151, 153 | 32 |
| 100125CAP | 73, 74 | 0.27 | 12883B | 123 | 0.146 | 17035SD | 123 | 0.13 |
| 100125PL | 73, 74 | 0.06 | 12902A | 99, 101, 103, 105, 107, 109, 111, 113, 115, 117, 119, 131, 133, 143, 145 | 0.006 | 17035SS | 149, 153 | 0.18 |
| 100A | 73, 74 | 0.09 | 12999A | 99, 103, 105, 107 | 0.25 | 17046SS | 149 | 8.804 |
| 100B | 73, 74 | 0.29 | 12999AV | 99, 103, 107 | 0.32 | 17055A | 129, 153 | 1.75 |
| 100C | 73, 74 | 0.27 | 13719V | 117 | 0.019 | 17056E | 105, 115 | 2 |
| 100D | 73, 74 | 0.31 | 13777SS | 155 | 0.205 | 17100SS | 149 | 3.384 |
| 100E | 73, 74 | 0.1 | 13778V | 155 | 0.002 | 17130SS | 149, 151, 153 | 0.02 |
| 100F | 73, 74 | 0.11 | 150(200)K | 76 | 0.134 | 17201A | 125 | 8.736 |
| 100G | 70, 76 | 0.2 | 15000V | 131, 133 | 2.364 | 17206A | 125 | 0.628 |
| 100GV | 70, 76 | 0.02 | 150125A | 73, 74 | 0.197 | 17408SS | 151 | 2.106 |
| 100RING | 76 | 0.01 | 150125B | 73, 74 | 0.26 | 17446SS | 151 | 10.818 |
| 12000A | 99, 103, 105, 107, 111, 113, 115 | 0.75 | 150125C | 73, 74 | 0.568 | 18001SS | 155 | 57.5 |
| 12000AV | 99, 103, 107 | 0.9 | 150125D | 73, 74 | 0.31 | 18004SS | 155 | 1.616 |
| 12055E | 105, 115 | 0.57 | 150125E | 73, 74 | 0.16 | 18010SS | 105, 115, 129, 135, 137, 139, 153, 155 | 0.044 |
| 12201W | 117 | 1.46 | 150125F | 73, 74 | 0.18 | 18023-1.125 | 135 | 4.322 |
| 12202W | 101, 109, 117, 119 | 1.46 | 15035E | 101, 109, 117, 119, 137, 143, 145 | 0.386 | 18023SS | 135, 139, 155 | 4.32 |
| 125A | 73, 74 | 0.1 | 150A | 73, 74 | 0.18 | 18025SD | 135, 139 | 0.32 |
| 125B | 73, 74 | 0.3 | 150A90 | 77 | 0.307 | 18025SS | 151, 155 | 0.25 |

REFERENCE

| PART NO | PAGE NO(S) | WEIGHT | PART NO | PAGE NO(S) | WEIGHT | PART NO | PAGE NO(S) | WEIGHT |
|-----------|------------|--------|--------------|------------|--------|------------|------------|--------|
| 18026SS | 155 | 10.11 | 200PH6 | 98 | N/A | 234PIE51 | 126 | 200 |
| 18055H | 145 | 0.75 | 200PHA | 104 | 25 | 234POI | 126 | N/A |
| 18100SS | 155 | 7.5 | 200PHY | 104 | 21.308 | 234PPE5 | 102 | 135 |
| 18106SS | 155 | 0.04 | 200PHYSS | 152 | 52 | 234PPE51 | 102 | 145.5 |
| 18200A | 137 | 31.6 | 200PHYW | 104 | 28 | 234PPE51V | 102 | 145 |
| 18202A | 137 | 4.918 | 200PI-3 | 122 | 81 | 234PPE5V | 102 | 123 |
| 18203A | 137 | 4.92 | 200PI6PRO | 122 | 81.5 | 250CAP | 75 | 0.68 |
| 19001H | 145 | 10.7 | 200PIH-5 | 122 | 81.5 | 300A | 75 | 0.48 |
| 19201W | 143, 145 | 10 | 200PIH5E | 122 | N/A | 300B | 75 | 1.17 |
| 19703W | 143, 145 | 17.006 | 200PIHY | 128 | 48 | 300C | 75 | 1.4 |
| 19772SS | 143, 145 | N/A | 200PKL | 76 | 0.02 | 300CAP | 75 | 1.07 |
| 200150C | 75 | 0.66 | 200PL | 75 | 0.21 | 300D | 75 | 1.19 |
| 200A | 75 | 0.3 | 200PO | 98 | 7.286 | 300E | 75 | 0.78 |
| 200A90 | 77 | 0.461 | 200POI | 122 | 52.5 | 300F | 75 | 0.57 |
| 200B | 75 | 0.64 | 200POICF5/8 | 122 | 47 | 300F200F | 76 | 0.609 |
| 200B90 | 77 | 0.948 | 200POICF7/8 | 122 | 47 | 300FF | 76 | 0.644 |
| 200C | 75 | 0.69 | 200PO-SS | 148 | 47 | 300G | 47, 70, 76 | 0.04 |
| 200C90 | 77 | 0.78 | 200POSSCF5/8 | 148 | 47 | 300GV | 47, 70, 76 | 0.06 |
| 200CAP | 67, 75 | 0.6 | 200PO-V | 98 | 10 | 300K | 76 | 0.23 |
| 200CAPSH | 67, 75 | 0.52 | 200SBS | 97 | 0.25 | 300P | 76 | 0.036 |
| 200D | 75 | 0.66 | 201B | 75 | 0.71 | 300P11PRO | 110 | 81 |
| 200D90 | 77 | 0.88 | 201CAPSH | 67 | 0.566 | 300P11PROW | 116 | 67 |
| 200E | 75 | 0.32 | 201FPT | 67 | 0.04 | 300PB | 110 | 20 |
| 200F | 75 | 0.31 | 201PBIW | 124 | 58 | 300PBI | 134 | 125 |
| 200F45 | 77 | 0.346 | 201PIH5W | 124 | 94 | 300PB-SS | 154, 155 | 99 |
| 200F90 | 77 | 0.434 | 201POIW | 124 | 59 | 300PBW | 121 | 26 |
| 200FF | 76 | 0.331 | 202CAP | 67 | 0.34 | 300PH13SS | 124 | 150 |
| 200G | 47, 70, 76 | 0.02 | 205PB | 98 | 16 | 300PH13W | 116 | 103 |
| 200GV | 47, 70, 76 | 0.03 | 205PB-V | 98 | 16 | 300PH-6 | 110 | 50 |
| 200KL | 76 | 0.18 | 205POW | 100 | 8.5 | 300PH6W | 116 | 56 |
| 200P | 76 | 0.17 | 211FPT | 67 | 0.03 | 300PHY | 114 | 26 |
| 200P6PRO | 98 | 50 | 222PBI | 130 | 70 | 300PHYSS | 154 | 140 |
| 200P6PROE | 98 | N/A | 222PI6PRO | 130 | 100 | 300PHYW | 114 | N/A |
| 200P6PROV | 98 | 51 | 222PIE5 | 132 | 180 | 300PIH13 | 134 | 176 |
| 200PB | 98 | 15.786 | 222PIE51 | 132 | 190 | 300PIHY | 138 | 140 |
| 200PBI | 122 | 48 | 222PIH5 | 130 | 82 | 300PL | 75 | 0.43 |
| 200PB-SS | 148 | 52 | 222PIH5E | 130 | 110 | 300PO | 110 | 12.005 |
| 200PH-5 | 98 | 51 | 222PIH6 | 130 | 110 | 300POI | 134 | 106 |
| 200PH-5E | 98 | N/A | 222POI | 130 | 60 | 300PO-SS | 155 | 115 |
| 200PH5-SS | 148 | 105 | 231MPT | 67 | 0.074 | 300POW | 116 | 15.3 |
| 200PH-5V | 98 | 48 | 234PE5SS | 150, 151 | 168 | 300POW6 | 116 | N/A |
| 200PH5W | 100 | 53 | 234PIE5 | 126 | 160 | 300SBS | 97 | 0.25 |

REFERENCE

| PART NO | PAGE NO(S) | WEIGHT | PART NO | PAGE NO(S) | WEIGHT | PART NO | PAGE NO(S) | WEIGHT |
|-----------|--------------------------------------------------------------------------|--------|------------|------------|--------|-----------|------------------------------|--------|
| 301PBIW | 136 | 135 | AF400 | 72 | 1.587 | CPLG075 | 79 | 0.11 |
| 301PIH13W | 136 | N/A | AF400G | 72 | 0.45 | CPLG100 | 79 | 0.13 |
| 301POIW | 136 | 130 | AF400GV | 72 | 0.45 | CPLG125 | 79 | 0.19 |
| 303B | 75 | 1.634 | AFB200 | 72 | 0.698 | CPLG150 | 79 | 0.3 |
| 303B200A | 75 | 1.554 | AFB300 | 72 | 1.42 | CPLG200 | 79 | 0.34 |
| 303C | 73, 75 | 1.74 | BEM5-182CZ | 133 | 95 | CPLG300 | 79 | 0.836 |
| 305PHAW | 114 | N/A | BF075 | 68 | 0.82 | CR025 | 6, 80 | 0.04 |
| 333PBI | 140 | 185 | BF075BD | 69 | 0.88 | CR038 | 6, 80 | 0.05 |
| 333PIE15 | 140 | 242 | BF100 | 68 | 0.82 | CR050 | 80 | 0.13 |
| 333PIH13 | 140 | 285 | BF100BD | 69 | 0.9 | CR075 | 80 | 0.35 |
| 333POI | 140 | 90 | BF100GE | 68, 69 | 0.07 | CR100 | 80 | 0.27 |
| 400A | 75 | 1.27 | BF100GRE | 69 | 0.01 | CR125 | 80 | 0.726 |
| 400B | 75 | 2.03 | BF100GRV | 69 | 0.01 | CR150 | 80 | 0.571 |
| 400C | 75 | 2.39 | BF150 | 68 | 1.26 | CR200 | 80 | 0.744 |
| 400CAP | 75 | 1.44 | BF150BD | 69 | 1.32 | CV050 | 18 | 0.27 |
| 400D | 75 | 2.07 | BF200 | 68 | 1.07 | CV100 | 18 | 0.222 |
| 400E | 75 | 1.786 | BF200BD | 69 | 1.2 | CV100MT | 18 | 0.17 |
| 400F | 75 | 1.42 | BF200GE | 68, 69 | 0.05 | CV10175 | 101, 109, 117, 119, 143, 145 | 0.2 |
| 400G | 76 | 0.06 | BF200GFV | 69 | 0.05 | CV10175V | 117 | N/A |
| 400PL | 75 | 1.11 | BF200GV | 68, 69 | 0.05 | CV221 | 18 | 1 |
| 444PIH24 | 146 | 345 | BF200V | 68 | 1.07 | CV300 | 18 | 1.45 |
| 444POI | 146 | 120 | BF220 | 68 | 1.45 | CV301 | 18 | 1.518 |
| 75A1/2 | 73 | 0.07 | BF220BD | 69 | 1.5 | DF100A | 5, 62 | N/A |
| 75A1/4 | 73 | 0.08 | BF220GE | 68, 69 | 0.154 | DF100D | 5, 62 | N/A |
| 75A3/4 | 73, 74 | 0.05 | BF220GV | 68, 69 | 0.08 | DB20153M | 54, 55 | 0.158 |
| 75B1/2 | 73 | 0.14 | BF300 | 68 | 2.264 | DB20290 | 54, 55 | 0.004 |
| 75B3/4 | 73, 74 | 0.14 | BF300BD | 69 | 2.42 | DB20295 | 54, 55 | N/A |
| 75G | 76 | 0.1 | BF300GE | 68, 69 | 0.2 | DM100ABSS | 58 | 3.5 |
| 75PL | 73, 74 | 0.05 | BF300GFE | 69 | 0.02 | DM100ASS | 58 | 3.5 |
| A204 | 99, 101, 103, 105, 107, 109, 111, 113, 115, 117, 119, 131, 133, 143, 145 | 0.001 | BF300GFV | 69 | 0.02 | DM100CAP | 58 | 0.19 |
| A204V | 99, 103, 117 | N/A | BF300GV | 68, 69 | 0.1 | DM100DBSS | 58 | 3.75 |
| AF100 | 72 | 0.304 | CAP038 | 80 | 0.03 | DM100DSS | 58 | 3.75 |
| AF100G | 72 | 0.06 | CAP050 | 80 | 0.06 | DM100DSSE | 58 | 3.75 |
| AF100GV | 72 | 0.06 | CAP075 | 80 | 0.052 | DM100PL | 58 | 0.234 |
| AF150 | 72 | 0.43 | CAP100 | 80 | 0.09 | DM101SS | 58 | 0.346 |
| AF150G | 72 | 0.08 | CAP125 | 80 | 0.13 | DM10294A | 58 | 0.01 |
| AF200 | 72 | 0.657 | CAP150 | 80 | 0.12 | DM10295A | 58 | 0.006 |
| AF200G | 72 | 0.17 | CAP200 | 80 | 0.25 | DM10296 | 58 | 0.1 |
| AF200GV | 72 | 0.17 | CAP300 | 80 | 0.59 | DM102SSV | 58 | 0.386 |
| AF300 | 72 | 1.175 | CPLG025 | 79 | 0.03 | DM150A | 54 | 2.64 |
| AF300G | 72 | 0.17 | CPLG038 | 79 | 0.026 | DM150AB | 54 | 2.2 |
| AF300GV | 72 | 0.17 | CPLG050 | 79 | 0.09 | 333POICF | 6, 140 | 190 |

REFERENCE

| PART NO | PAGE NO(S) | WEIGHT | PART NO | PAGE NO(S) | WEIGHT | PART NO | PAGE NO(S) | WEIGHT |
|-----------|----------------|--------|-----------|------------|--------|--------------|------------|--------|
| DM150ABSS | 59 | 6.3 | DM220DBSS | 61 | 7 | EVX220BL | 23 | 6.253 |
| DM150AE | 54 | 2.75 | DM220DSS | 61 | 9.8 | EVX220SL | 23 | 6.253 |
| DM150ASS | 59 | 6.35 | DM221PL | 56 | N/A | EVX221 | 21 | 5.052 |
| DM150D | 54 | 2.64 | DM221SS | 61 | 0.206 | EVX300 | 22 | 9.24 |
| DM150DB | 54 | 2.2 | DM222SS | 61 | 0.216 | EVXR071 | 20 | N/A |
| DM150DBSS | 59 | 6.9 | DM25153M | 56 | 0.457 | EVXR101 | 20 | 3.96 |
| DM150DE | 54 | 2.82 | DM25200 | 56 | N/A | EVXR151 | 20 | 4.45 |
| DM150DSS | 59 | 6.9 | DM25294 | 61 | N/A | EVXR201 | 21 | 5.33 |
| DM150DSSE | 59 | 6.9 | DM25294T | 61 | 0.048 | EVXR221 | 21 | 5.92 |
| DM200A | 55 | 3.007 | DM300ACF | 37 | 7.72 | EVXR300 | 22 | 9.24 |
| DM200AB | 55 | 2.2 | DM300AFP | 57 | 4.8 | FC100 | 47 | 0.25 |
| DM200ABSS | 60 | 5.768 | DM300CAP | 57 | 2.82 | FC200 | 47 | 0.23 |
| DM200ACAP | 59, 60 | 1 | DM300DCF | 37 | 8.4 | FC220 | 39, 47 | 0.25 |
| DM200ACF | 37 | 3.15 | DM300DFP | 57 | 8.4 | FC220B | 47 | 1.364 |
| DM200AE | 55 | 2.75 | DM300PL | 57 | 0.509 | FC220TB | 47 | 0.43 |
| DM200APL | 59, 60 | 0.49 | DM35153F | 57 | 0.463 | FC300 | 39, 47 | 0.34 |
| DM200ASS | 60 | 6.2 | DM35153M | 57 | 0.659 | FC300B | 47 | 1.76 |
| DM200AT | 6, 55 | 2.2 | DM35200 | 57 | N/A | FC300TB | 47 | 0.52 |
| DM200CAP | 54, 55 | 0.38 | DMMT201A | 55 | 2.5 | GHFT075A | 77 | 0.06 |
| DM200D | 55 | 2.75 | DPCF100 | 63 | 0.5 | GHFT075D | 77 | 0.17 |
| DM200DB | 55 | 2.2 | DPCM100 | 63 | 0.25 | GHFT075G | 77 | 0.025 |
| DM200DBSS | 60 | 6.9 | DPCMT100 | 63 | 0.27 | GHFT075MPT | 77 | 0.04 |
| DM200DCF | 37 | 2.75 | EL025-90 | 81 | 0.016 | GHMT075B | 77 | 0.14 |
| DM200DE | 55 | 3 | EL038-90 | 81 | 0.04 | GHMT075F | 77 | 0.05 |
| DM200DSS | 60 | 6.9 | EL050-90 | 81 | 0.07 | GHMT075FPT | 77 | 0.04 |
| DM200DSST | 60 | 6.9 | EL075-90 | 81 | 0.1 | GHMT075MPT | 77 | 0.04 |
| DM200DT | 6, 55 | 2.75 | EL100-45 | 81 | 0.14 | GHN075 | 77 | 0.6 |
| DM200PL | 54, 55 | 0.49 | EL100-90 | 81 | 0.15 | H25053 | 7 | 0.265 |
| DM20153F | 54, 55 | 0.251 | EL125-90 | 81 | 0.22 | HB025 | 82 | 0.01 |
| DM20153M | 54, 55 | 0.417 | EL150-90 | 81 | 0.33 | HB025/038-90 | 82 | 0.01 |
| DM201SS | 59, 60 | 1.158 | EL200-90 | 81 | 0.434 | HB025/050-90 | 82 | 0.022 |
| DM20200A | 54, 55 | 0.242 | EL300-90 | 81 | 1.195 | HB025-038 | 82 | 0.012 |
| DM20200D | 54, 55 | 0.254 | EVX071 | 20 | 3.82 | HB025-038SS | 82 | 0.07 |
| DM20294A | 54, 55, 59, 60 | 0.016 | EVX100BL | 23 | 4.313 | HB025-050 | 82 | 0.015 |
| DM20295A | 54, 55 | 0.01 | EVX100SL | 23 | 4.313 | HB025-050SS | 82 | 0.07 |
| DM20296 | 54, 55, 59, 60 | 0.125 | EVX101 | 20 | 3.892 | HB025-90 | 82 | 0.01 |
| DM202SSV | 59, 60 | 1.32 | EVX121 | 20 | 3.832 | HB025SS | 82 | 0.04 |
| DM220A | 56 | 4.3 | EVX151 | 20 | N/A | HB038 | 82 | 0.01 |
| DM220ABSS | 61 | 0.43 | EVX200BL | 23 | 4.876 | HB038-025 | 6, 82 | 0.02 |
| DM220ASS | 61 | 7.8 | EVX200SL | 23 | 4.876 | HB038-050 | 82 | 0.02 |
| DM220CAP | 56, 61 | 1 | EVX201 | 21 | 4.312 | HB038-050SS | 82 | 0.1 |
| DM220D | 56 | 5.482 | EVX220 | 25 | 4.92 | HB038-90 | 82 | 0.02 |

REFERENCE

| PART NO | PAGE NO(S) | WEIGHT | PART NO | PAGE NO(S) | WEIGHT | PART NO | PAGE NO(S) | WEIGHT |
|--------------|------------|--------|----------------|------------|--------|-----------|-------------------------------|--------|
| HB038SS | 82 | 0.09 | HB150-200 | 82 | 0.19 | HM200 | 83 | 0.22 |
| HB050 | 82 | 0.03 | HB150-90 | 82 | 0.23 | HM300 | 83 | 0.763 |
| HB050/038-90 | 82 | 0.024 | HB150SS | 82 | 0.68 | HSV1000 | 104, 114, 128, 138, 144 , 152 | 11 |
| HB050/075-90 | 82 | 0.04 | HB200 | 82 | 0.2 | HV200 | 38 | 0.58 |
| HB050-025 | 82 | 0.03 | HB200/150-90 | 82 | 0.22 | HY1001 | 139 | 1.5 |
| HB050-038 | 82 | 0.02 | HB200-150 | 82 | 0.18 | HY1003 | 105, 115 | 1.5 |
| HB050-058SS | 82 | 0.128 | HB200-90 | 82 | 0.33 | HY1012 | 139, 145 | 13.2 |
| HB050-075 | 82 | 0.03 | HB200SS | 82 | 1.13 | HY1013 | 105, 115, 153 | 4.5 |
| HB050-075SS | 82 | 0.2 | HB300 | 82 | 0.703 | L200B | 76 | 0.64 |
| HB050-90 | 82 | 0.03 | HB300-90 | 82 | 1.078 | L200C | 76 | 0.7 |
| HB050SS | 82 | 0.13 | HB300SS | 82 | 3.55 | L200CAP | 76 | 0.62 |
| HB075 | 82 | 0.04 | HB400 | 82 | 1.64 | L200D | 76 | 0.736 |
| HB075/050-90 | 82 | 0.04 | HBB20012590 | 81 | 0.25 | LEV038 | 24 | 0.55 |
| HB075/100-90 | 82 | 0.05 | HBC050075 | 80 | 0.028 | LEV038PL | 24 | 0.08 |
| HB075-038 | 82 | 0.03 | HBEL100-90 | 81 | 0.06 | LEV050 | 24 | 0.6 |
| HB075-050 | 82 | 0.03 | HBEL150/100-90 | 81 | 0.197 | LS050-20 | 90 | 0.35 |
| HB075-050SS | 82 | 0.2 | HBFO75 | 82 | 0.06 | LS050-40 | 90 | 0.35 |
| HB075-058 | 82 | 0.038 | HBFO75-100 | 82 | 0.08 | LS050-80 | 90 | 0.37 |
| HB075-100 | 82 | 0.05 | HBFO75-90 | 82 | 0.06 | LS050B/C1 | 91 | 0.298 |
| HB075-100SS | 82 | 0.25 | HBFO100 | 82 | 0.09 | LS075-20 | 90 | 0.3 |
| HB075-90 | 82 | 0.05 | HB100-90 | 6, 82 | 0.07 | LS075-40 | 90 | 0.33 |
| HB075SS | 82 | 0.2 | HBT038 | 83 | 0.03 | LS075-80 | 90 | 0.35 |
| HB100 | 82 | 0.06 | HBT050 | 83 | 0.03 | LS075B/C1 | 91 | 0.28 |
| HB100/075-90 | 82 | 0.06 | HBT050-038 | 6, 83 | 0.02 | LS075-G | 91 | 0.004 |
| HB100/125-90 | 82 | 0.1 | HBT050-075 | 83 | 0.03 | LS100-20 | 90 | 0.91 |
| HB100-075 | 82 | 0.06 | HBT075 | 83 | 0.05 | LS100-40 | 90 | 0.9 |
| HB100-075SS | 82 | 0.3 | HBT075-050 | 83 | 0.04 | LS100-80 | 90 | 0.96 |
| HB100-125 | 82 | 0.08 | HBT075-050SS | 83 | 0.246 | LS100B/C1 | 97 | 0.872 |
| HB100-90 | 82 | 0.07 | HBT075-100 | 83 | 0.06 | LS100-C1 | 49, 91 | 0.232 |
| HB100SS | 82 | 0.3 | HBT100 | 83 | 0.08 | LS100-G | 49, 91 | 0.02 |
| HB125 | 82 | 0.1 | HBT100-075 | 83 | 0.06 | LS100-GV | 91 | 0.02 |
| HB125/100-90 | 82 | 0.09 | HBT100-100 | 83 | 0.08 | LS120 | 49, 91 | 0.07 |
| HB125/150-90 | 82 | 0.09 | HBT150-100 | 83 | 0.218 | LS125-20 | 90 | 0.86 |
| HB125-075 | 82 | 0.08 | HBT150-150 | 83 | 0.235 | LS125-40 | 90 | 0.84 |
| HB125-100 | 82 | 0.09 | HBT200 | 83 | 0.388 | LS125-80 | 90 | 0.9 |
| HB125-150 | 82 | 0.1 | HBT300 | 83 | 1.161 | LS125B/C1 | 91 | 0.826 |
| HB125-90 | 82 | 0.11 | HM038 | 83 | 0.03 | LS140 | 49, 91 | 0.07 |
| HB125SS | 82 | 0.5 | HM050 | 83 | 0.01 | LS150-06 | 92 | 2.42 |
| HB150 | 82 | 0.13 | HM075 | 83 | 0.026 | LS150-12 | 92 | 2.42 |
| HB150/125-90 | 82 | 0.16 | HM100 | 83 | 0.04 | LS150-120 | 92 | 2.5 |
| HB150-100 | 82 | 0.09 | HM125 | 83 | 0.07 | LS150-20 | 92 | 2.42 |
| HB150-125 | 82 | 0.1 | HM150 | 83 | 0.08 | LS150-30 | 92 | 2.5 |

REFERENCE

| PART NO | PAGE NO(S) | WEIGHT | PART NO | PAGE NO(S) | WEIGHT | PART NO | PAGE NO(S) | WEIGHT |
|------------|------------|--------|------------|--------------------|--------|-------------|------------|--------|
| LS150-50 | 92 | 2.5 | LSQ200-30 | 88 | 4.17 | LST116 | 49, 87 | 0.084 |
| LS150-80 | 92 | 2.5 | LSQ200-50 | 88 | 4.17 | LST125-16 | 86 | 2.032 |
| LS150B/C | 93 | 1.91 | LSQ200-80 | 88 | 4.17 | LST125-30 | 86 | 2.22 |
| LS150-C | 49, 93 | 0.576 | LSQ200-B/C | 89 | 3.63 | LST125-50 | 86 | 2.24 |
| LS150-G | 49, 93 | 0.03 | LSQ200-C | 89 | 1.74 | LST125-80 | 86 | 2.18 |
| LS150-GV | 49, 93 | 0.03 | LSQ200-G | 89 | 0.05 | LST125-HB | 87 | 1.846 |
| LS180 | 49, 93 | 2.12 | LSQ200-GV | 6, 89 | 0.162 | LST130 | 49, 87 | 0.07 |
| LS200-06 | 92 | 2.5 | LSQ200-PL | 49, 51, 87, 89, 93 | 0.042 | LST150 | 49, 87 | 0.07 |
| LS200-100 | 92 | 2 | LSQ200-R | 49, 51, 87 | 0.002 | LST150-100 | 86 | 1.9 |
| LS200-12 | 92 | 2.33 | LSQ200R1 | 89 | 0.002 | LST150-30 | 86 | 2.12 |
| LS200-120 | 92 | 2 | LSQ200-RV | 89, 93 | 0.004 | LST150-50 | 86 | 2.15 |
| LS200-20 | 92 | 2.33 | LSS300-BC | 94, 95 | 23.88 | LST150-80 | 86 | 2.13 |
| LS200-30 | 92 | 2.42 | LSS300-C | 6, 94, 95 | 2.91 | LST150-B | 49, 87 | 0.22 |
| LS200-50 | 92 | 2.42 | LSS300-G | 94, 95 | 0.1 | LST150-G | 49, 87 | 0.014 |
| LS200-80 | 92 | 2.42 | LSS300-GV | 94, 95 | 0.044 | LST150-GV | 49, 87 | 0.024 |
| LS200B/C | 93 | 2 | LSS300-H | 95 | 1.724 | LST150-HB | 87 | 1.794 |
| LS206 | 49, 89, 93 | 0.3 | LSS300-S | 94, 95 | 0.032 | LST15100 | 49, 87 | 0.27 |
| LS2100 | 93 | 0.09 | LSS300-SV | 94, 95 | 0.05 | LST1516 | 49, 87 | 0.196 |
| LS212 | 49, 89, 93 | 0.29 | LSS306 | 95 | 0.198 | LST1530 | 49, 87 | 0.17 |
| LS2120 | 49, 89, 93 | 0.08 | LSS308 | 95 | 0.256 | LST1550 | 49, 87 | 0.15 |
| LS220 | 49, 89, 93 | 0.2 | LSS312 | 95 | 0.37 | LST1580 | 49, 87 | 0.1 |
| LS230 | 49, 89, 93 | 0.188 | LSS320 | 95 | 0.4 | LST180 | 49, 87 | 0.07 |
| LS250 | 49, 89, 93 | 0.13 | LSS330 | 95 | 0.368 | LST200-10SS | 88 | 16 |
| LS250P | 93 | 0.116 | LSS350 | 95 | 0.366 | LST200-50SS | 88 | 16 |
| LS280 | 49, 89, 93 | 0.1 | LST075-100 | 86 | 0.83 | LST200-B | 89 | 1.946 |
| LS300EC | 51, 95 | 0.626 | LST075-16 | 86 | 0.824 | LST200-GV | 89 | 0.04 |
| LS304 | 51, 95 | 0.598 | LST075-30 | 86 | 0.84 | LST200-HSS | 89 | 1.614 |
| LS308 | 51, 95 | 1.106 | LST075-50 | 86 | 0.84 | LST204SS | 51, 89 | 0.416 |
| LS312 | 51, 95 | 4.31 | LST075-80 | 86 | 0.83 | LST206SS | 51, 89 | 0.382 |
| LS320 | 51, 95 | 1.03 | LST075-H | 87 | 0.516 | LST208SS | 51, 89 | 0.326 |
| LS350 | 51, 95 | 0.92 | LST075-HB | 87 | 0.738 | LST2100SS | 51 | 0.45 |
| LS720 | 91 | 0.04 | LST100-100 | 86 | 0.76 | LST210SS | 51, 89 | 0.48 |
| LS740 | 91 | 0.04 | LST100-16 | 86 | 0.78 | LST216SS | 51, 89 | 0.27 |
| LS780 | 91 | 0.04 | LST100-30 | 86 | 0.79 | LST220SS | 6, 89 | N/A |
| LSM300-04 | 94 | 8 | LST100-50 | 86 | 0.81 | LST230SS | 51, 89 | 0.49 |
| LSM300-08 | 94 | 8 | LST100-80 | 86 | 0.78 | LST250SS | 51, 89 | 0.49 |
| LSM300-12 | 94 | 8 | LST100-B | 49, 87 | 2.17 | LST280SS | 51, 89 | 0.48 |
| LSM300-20 | 94 | 8 | LST100-G | 49, 87 | 0.02 | LST5100 | 85 | 0.016 |
| LSM300-50 | 94 | 8 | LST100-GV | 49, 87 | 0.02 | LST530 | 85 | 0.05 |
| LSQ150-B/C | 6, 88, 89 | 3.8 | LST100-H | 87 | 0.472 | LST550 | 85 | 0.024 |
| LSQ200-06 | 88 | 4.17 | LST100-HB | 87 | 2.25 | LST580 | 85 | 0.02 |
| LSQ200-20 | 88 | 4.17 | LST1100 | 49, 87 | 0.07 | LSTM050-30 | 84 | 0.76 |

REFERENCE

| PART NO | PAGE NO(S) | WEIGHT | PART NO | PAGE NO(S) | WEIGHT | PART NO | PAGE NO(S) | WEIGHT |
|-----------------|------------|--------|-----------------|------------|--------|-----------------|------------|--------|
| LSTM050-30C | 84 | 0.324 | M100075HBT | 46 | 0.1 | M200100CPG | 43 | 0.16 |
| LSTM050-50 | 84 | 0.3 | M100075MPT | 44 | 0.052 | M200100TEE | 43 | 0.525 |
| LSTM050-50C | 84 | 0.76 | M100100HBT | 46 | 0.09 | M200125BRB | 46 | 0.16 |
| LSTM050-80 | 84 | 0.76 | M100125BRB | 46 | 0.08 | M200125BRB45 | 46 | 0.18 |
| LSTM050-80C | 84 | 0.316 | M100125BRB90 | 46 | 0.11 | M200125BRB90 | 46 | 0.21 |
| LSTM050B | 85 | 0.103 | M100125BRBSWP90 | 41 | 0.15 | M200125MPT | 44 | 0.2 |
| LSTM050BC | 85 | 0.12 | M100125MPT | 44 | 0.114 | M200125MPTSS | 44 | 0.2 |
| LSTM050G | 85 | 0.02 | M100150BRB90 | 46 | 0.17 | M200150BRB | 46 | 0.17 |
| LSTM050H | 85 | 0.176 | M100A | 45 | 0.07 | M200150BRB45 | 46 | 0.17 |
| LSTM075-30 | 84 | 0.76 | M100BRB | 46 | 0.066 | M200150BRB90 | 46 | 0.21 |
| LSTM075-30C | 84 | 0.31 | M100BRB45 | 46 | 0.074 | M200150BRBSWP90 | 41 | 0.431 |
| LSTM075-50 | 84 | 0.288 | M100BRB90 | 46 | 0.08 | M200150FPT | 44 | 0.344 |
| LSTM075-50C | 84 | 0.308 | M100BRBSWP90 | 41 | 0.145 | M200150MPT | 44 | 0.23 |
| LSTM075-80 | 84 | 0.76 | M100BRBSWPG90 | 41 | 0.15 | M200150MPTSS | 44 | 0.23 |
| LSTM075-80C | 84 | 0.302 | M100CPG | 42 | 0.09 | M200A | 45 | 0.24 |
| LSTM075H | 85 | 0.161 | M100CPG45 | 42 | 0.09 | M200BRB | 46 | 0.24 |
| LV025MTV | 8 | 0.06 | M100CPG90 | 43 | 0.14 | M200BRB45 | 46 | 0.262 |
| LV025V | 8 | 0.054 | M100CR | 45 | 0.24 | M200BRB90 | 46 | 0.34 |
| LV038050MTLV | 8 | 0.07 | M100FPT | 44 | 0.09 | M200CPG | 42 | 0.43 |
| LV038050MTV | 8 | 0.058 | M100G | 47 | 0.02 | M200CPG45 | 42 | 0.31 |
| LV038MTV | 8 | 0.07 | M100GV | 47 | 0.02 | M200CPG90 | 43 | 0.626 |
| LV038V | 8 | 0.07 | M100MPT | 44 | 0.08 | M200CPG90SH | 43 | 0.423 |
| LV050100MTLV | 8 | 0.125 | M100MPTSS | 44 | 0.34 | M200CR | 45 | 0.692 |
| LV050100MTV | 8 | 0.11 | M100PA | 38 | 0.25 | M200FPT | 44 | 0.29 |
| LV050MTV | 8 | 0.096 | M100PAC | 38 | 0.32 | M200MPT | 44 | 0.26 |
| LV050SLLV | 8 | 0.12 | M100PAT | 38 | 0.65 | M200MPTSS | 44 | 0.81 |
| LV050SLV | 8 | 0.08 | M100PLG | 45 | 0.05 | M200PLG | 45 | 0.12 |
| LV050V | 8 | 0.084 | M100PLG025 | 45 | 0.04 | M200PLG025 | 45 | 0.084 |
| LVHB038050MTV | 8 | 0.064 | M100PLG050 | 45 | 0.04 | M200PLG038 | 45 | 0.09 |
| LVHB038V | 8 | 0.06 | M100SWFSS | 42 | 0.32 | M200PLG050 | 45 | 0.09 |
| LVHB050V | 8 | 0.06 | M100SWP90 | 41 | 0.126 | M200PLG075 | 45 | 0.1 |
| LVHB-075100MTLV | 8 | 0.135 | M100SWPG90 | 41 | 0.13 | M200PLG100 | 45 | 0.11 |
| LVHB075100MTV | 8 | 0.13 | M100TEE | 43 | 0.2 | M200SWFSS | 42 | 0.68 |
| LVHB075MTV | 8 | 0.13 | M101G | 47 | 0.006 | M200SWP90 | 41 | 0.365 |
| LVHB075V | 8 | 0.118 | M101GSA | 6, 42 | 0.07 | M200TEE | 43 | 0.611 |
| LVPL025V | 8 | 0.06 | M101TEE | 43 | 0.23 | M200YG45 | 6, 43 | 1.3 |
| LVPL038V | 8 | 0.06 | M102G | 47 | 0.01 | M201G | 47 | 0.05 |
| M100050FPT | 44 | 0.06 | M12712 | 107, 109 | N/A | M202G | 47 | 0.025 |
| M100050HBT | 46 | 0.086 | M13712 | 113, 119 | 4.588 | M220100BRB | 46 | 0.15 |
| M100075BRB | 46 | 0.06 | M19712X | 143, 145 | 27.046 | M220100CPG | 43 | 0.15 |
| M100075BRB90 | 46 | 0.06 | M200100BRB | 46 | 0.15 | M220100TEE | 43 | 0.403 |
| M100075FPT | 44 | 0.05 | M200100BRB90 | 46 | 0.16 | M220125BRB | 46 | 0.16 |

REFERENCE

| PART NO | PAGE NO(S) | WEIGHT | PART NO | PAGE NO(S) | WEIGHT | PART NO | PAGE NO(S) | WEIGHT |
|--------------|------------|--------|---------------|------------|--------|-------------|------------|--------|
| M220150BRB | 46 | 0.16 | M222G | 47 | 0.03 | M300TEE | 43 | 1.111 |
| M220150BRB90 | 46 | 0.211 | M300200CPG | 43 | 0.267 | M300Y45 | 39, 43 | 3.32 |
| M220150MPTSS | 44 | 0.65 | M300220BRB | 46 | 0.284 | M300YG45 | 39, 43 | 3.258 |
| M220200CPG | 43 | 0.2 | M300220BRB90 | 46 | 0.406 | M301G | 39, 47 | 0.03 |
| M220200HBT | 46 | 0.39 | M300220CPG | 39, 43 | 0.245 | M301GSA | 42 | 0.55 |
| M220200SWP90 | 41 | 0.356 | M300220MPTSS | 44 | 1.332 | M302G | 47 | 0.05 |
| M220200TEE | 43 | 0.567 | M300220SWP90 | 41 | 0.571 | M303D | 45 | 1.5 |
| M220375SWFSS | 42 | 1.35 | M300300HBT | 46 | 1.034 | M305PHYW | 118 | 26.4 |
| M220A | 45 | 0.2 | M300375SWFSS | 42 | 3.2 | M332PIE101W | 142 | 270 |
| M220ASWP90 | 41 | 0.399 | M300400A | 4, 78, 121 | 0.712 | M332PIE10W | 142 | N/A |
| M220BRB | 46 | 0.19 | M300400BRB | 4, 78, 121 | 0.728 | M332PIH13W | 142 | 155 |
| M220BRB45 | 46 | 0.225 | M300A | 45 | 0.35 | M332PIHAW | 144 | N/A |
| M220BRB90 | 46 | 0.309 | M300ASWP90 | 41 | 0.897 | M332PIHYW | 144 | 190 |
| M220BRBSWP90 | 41 | 0.399 | M300BRB | 46 | 0.478 | M332POIW | 142 | 70.532 |
| M220BWASS | 44 | 0.5 | M300BRB45 | 46 | 0.518 | M350PBW | 4, 121 | 34.1 |
| M220CPG | 42 | 0.21 | M300BRB90 | 46 | 0.798 | M350PE15W | 5, 120 | 131.3 |
| M220CPG3G | 42 | N/A | M300BRBSWP90 | 41 | 1.184 | M350PEOW | 4, 121 | 17.1 |
| M220CPG45 | 39, 42 | 0.24 | M300BRBSWPG90 | 6, 41 | 1.24 | M350PH13W | 5, 120 | 88.2 |
| M220CPG6 | 39, 42 | 0.375 | M300CPG | 42 | 0.417 | M350PHAW | 4, 121 | 33.5 |
| M220CPG90 | 43 | 0.341 | M300CPG12 | 6, 42 | 1.01 | M350PHYW | 4, 121 | 40.9 |
| M220CR | 45 | 0.578 | M300CPG12G | 6, 42 | | M350POW | 4, 121 | 17.1 |
| M220D | 45 | 0.73 | M300CPG45 | 39, 42 | 0.518 | M350PVAN14W | 5, 120 | 102 |
| M220FPT | 44 | 0.26 | M300CPG55G | 6, 42 | | MBF100 | 52 | 0.9 |
| M220MPT | 44 | 0.21 | M300CPG7 | 39, 42 | 0.632 | MBF100BD | 52 | 0.948 |
| M220MPTSS | 44 | 0.62 | M300CPG90 | 43 | 0.745 | MBF200 | 52 | 1.37 |
| M220MPTSWP90 | 41 | 0.331 | M300CR | 45 | 1.215 | MBF200BD | 52 | 1.44 |
| M220P6PRO | 106, 107 | N/A | M300FPT | 44 | 0.514 | MBF220 | 52 | 1.62 |
| M220PH5 | 106, 107 | 55 | M300MPT | 44 | 0.437 | MBF220BD | 52 | 1.62 |
| M220PH5W | 108 | 55 | M300MPTSS | 44 | 1.85 | MBF300 | 52 | 2.34 |
| M220PH6 | 106, 107 | 55 | M300MPTSWP90 | 41 | 0.833 | MBF300BD | 52 | 2.5 |
| M220PLG | 45 | 0.12 | M300P11PRO | 112 | N/A | MBP200 | 65 | 0.26 |
| M220PLG038 | 45 | 0.1 | M300PB | 112 | N/A | MCV100 | 42 | 0.154 |
| M220PLG075 | 45 | 0.11 | M300PH6 | 112 | 45.4 | MCV200 | 42 | 0.45 |
| M220PO | 106, 107 | 8.372 | M300PH6W | 118 | 49 | MCV221 | 42 | 0.5 |
| M220SWFSS | 42 | 0.58 | M300PLG | 45 | 0.25 | MCV300 | 42 | 1.224 |
| M220SWP90 | 41 | 0.286 | M300PLG075 | 45 | 0.23 | MCV301 | 42 | 1.26 |
| M220SWPG90 | 41 | N/A | M300PLG100 | 45 | 0.248 | MEVX100 | 26 | 3.82 |
| M220TEE | 43 | 0.522 | M300PO | 112 | 9.792 | MEVX100BL | 29 | 4.7 |
| M220Y45 | 39, 43 | 1.316 | M300POW6 | 118 | 16.24 | MEVX100SL | 29 | 4.7 |
| M220YG45 | 39, 43 | 1.34 | M300SWFSS | 42 | 1.46 | MEVX101 | 26 | 4.24 |
| M221G | 39, 43 | 0.03 | M300SWP90 | 41 | 0.675 | MEVX1012 | 30 | 9.6 |
| M221GSA | 42 | 0.258 | M300SWPG90 | 41 | 0.75 | MEVX1013 | 30 | 14.548 |

REFERENCE

| PART NO | PAGE NO(S) | WEIGHT | PART NO | PAGE NO(S) | WEIGHT | PART NO | PAGE NO(S) | WEIGHT |
|------------|------------|--------|-------------|------------|--------|--------------|------------|--------|
| MEVX1014 | 30 | 19.485 | MLS2100SS | 51 | 0.54 | MPRV100-100 | 37 | 1.5 |
| MEVX102 | 30 | 9.073 | MLS220C1 | 51 | 0.82 | MPRV100-125 | 37 | 1.54 |
| MEVX103 | 30 | 14.47 | MLS220G1 | 51 | 0.008 | MSUV100FP | 17 | 0.46 |
| MEVX200 | 27 | 4.22 | MLS220R1 | 51 | 0.417 | MSW220 | 42 | 0.4 |
| MEVX200BL | 29 | N/A | MLS222-04 | 50 | 3.82 | MTF100BD | 6, 52 | 0.42 |
| MEVX200SL | 29 | N/A | MLS222-10 | 50 | 3.5 | MTF220BD | 52 | 0.75 |
| MEVX201 | 27 | 4.775 | MLS222-16 | 50 | 3.7 | MTF300BD | 52 | 2.092 |
| MEVX220BL | 29 | 6.98 | MLS222-30 | 50 | 3.75 | MV100BL | 36 | 1.2 |
| MEVX220SL | 29 | N/A | MLS222-50 | 50 | 3.75 | MV100CF | 31 | 0.75 |
| MEVX221 | 27 | 4.775 | MLS222-80 | 50 | 3.7 | MV100SL | 36 | 1.13 |
| MEVX300 | 28 | 8.98 | MLS222B | 51 | 2.2 | MV200BL | 36 | 2 |
| MEVX300BL | 29 | N/A | MLS222BC | 51 | 3.25 | MV200CF | 31 | 2.024 |
| MEVXR100 | 26 | 2.491 | MLS250SS | 51 | 0.6 | MV200SL | 36 | 2 |
| MEVXR100SL | 29 | 4.7 | MLS280SS | 51 | 0.57 | MV220BL | 36 | 4.63 |
| MEVXR101 | 26 | 3.82 | MLS300-12 | 50 | 8 | MV220CF | 31 | 2.798 |
| MEVXR200 | 27 | 2.882 | MLS300-20 | 50 | 8 | MV220SL | 36 | 2.75 |
| MEVXR200SL | 29 | 3.979 | MLS300-50 | 50 | 8.44 | MV225CF | 31 | 7.3 |
| MEVXR220 | 27 | 3.405 | MLS300B | 51 | 5.01 | MV300 | 31 | 3.9 |
| MEVXR220SL | 29 | 6.627 | MLS300B1 | 95 | 5.357 | MV300BL | 36 | 6.68 |
| MEVXR300 | 28 | 8.98 | MLS300BC | 51 | 7.48 | MV300CF | 31 | 5.866 |
| MFM100 | 40 | 2.75 | MLS300CAP | 51, 95 | 1.36 | MV301CF | 39 | 6 |
| MFM220 | 40 | 2.75 | MLS300ECG | 51, 95 | 0.024 | MVS220CF | 32, 39 | 1.744 |
| MFM300 | 40 | 5.4 | MLS300ECGV | 51, 95 | 0.04 | MVS220FP | 32 | 1.804 |
| MHV200 | 40 | 0.57 | MLS300G | 51, 95 | 0.03 | MVS300CF | 34 | 3.046 |
| MHV220A | 38, 39 | 0.8 | MLST100-100 | 48 | 0.75 | MVS300CFFP | 34 | 3.75 |
| MIS220 | 39 | 10.175 | MLST100-30 | 48 | 0.75 | MVS300HSFP | 35 | 6.32 |
| MIS300 | 39 | 23.06 | MLST100-50 | 48 | 0.75 | MVSF220FP | 32 | 1.78 |
| MLEV100 | 30 | 0.65 | MLST100-80 | 48 | 0.75 | MVSF300 | 34 | 3.29 |
| MLEV100A | 30 | 1.13 | MLST100-H | 49 | 0.467 | MVSF300FP | 34 | 4 |
| MLEV100C | 30 | N/A | MLST100-HB | 49 | 0.63 | MVSMT220FP | 32 | 1.75 |
| MLS100-80 | 48 | 0.88 | MLST150-100 | 48 | 2 | MVSMT300 | 34 | 3.192 |
| MLS100B | 49 | 0.646 | MLST150-30 | 48 | 2 | MVSMT300HSFP | 35 | 6.44 |
| MLS100BC | 49 | 0.896 | MLST150-50 | 48 | 2 | NIP025-SH | 79 | 0.01 |
| MLS200-06 | 46 | 2.25 | MLST150-80 | 48 | 2 | NIP038-SH | 79 | 0.02 |
| MLS200-12 | 48 | 2.5 | MLST150-80V | 48 | 2.125 | NIP050-3 | 79 | 0.04 |
| MLS200-20 | 48 | 2.15 | MLST150-H | 49 | 1.292 | NIP050-SH | 79 | 0.02 |
| MLS200-30 | 46 | 2.15 | MLST150-HB | 49 | 1.75 | NIP075-4 | 79 | 0.074 |
| MLS200-50 | 48 | 3.9 | MLSTM100-80 | 6, 47 | 0.34 | NIP075-6 | 79 | 0.12 |
| MLS200-80 | 48 | 2.15 | MLSTM100HB | 6, 47 | 0.34 | NIP075-SH | 79 | 0.03 |
| MLS200B | 49 | 1.526 | MLSTM100HBC | 6, 47 | 0.34 | NIP100-4 | 79 | 0.09 |
| MLS200BC | 49 | 2.07 | MPRV100-050 | 37 | 1.506 | NIP100-6 | 79 | 0.14 |
| MLS200BCM | 48 | 2.315 | MPRV100-075 | 37 | 1.45 | NIP100-SH | 79 | 0.038 |

REFERENCE

| PART NO | PAGE NO(S) | WEIGHT | PART NO | PAGE NO(S) | WEIGHT | PART NO | PAGE NO(S) | WEIGHT |
|------------|------------|--------|-----------|------------|--------|----------|------------|--------|
| NIP125-4 | 79 | 0.136 | RB125-075 | 79 | 0.09 | SL150-45 | 81 | 0.22 |
| NIP125-6 | 79 | 0.22 | RB125-100 | 79 | 0.06 | SL150-90 | 81 | 0.25 |
| NIP125-SH | 79 | 0.06 | RB150-075 | 79 | 0.12 | SL200-45 | 81 | 0.34 |
| NIP150-3 | 79 | 0.14 | RB150-100 | 79 | 0.1 | SL200-90 | 81 | 0.41 |
| NIP150-4 | 79 | 0.22 | RB150-125 | 79 | 0.1 | SL300-45 | 81 | 0.833 |
| NIP150-5 | 79 | 0.26 | RB200-075 | 79 | 0.18 | SL300-90 | 81 | 1.054 |
| NIP150-6 | 79 | 0.34 | RB200-100 | 79 | 0.17 | ST200 | 66 | 0.809 |
| NIP150-SH | 79 | 0.12 | RB200-125 | 79 | 0.14 | ST300 | 66 | 1.332 |
| NIP200-4 | 79 | 0.25 | RB200-150 | 79 | 0.12 | SUV050FP | 17 | 0.25 |
| NIP200-6 | 79 | 0.38 | RB300-150 | 79 | 0.415 | SUV075FP | 17 | 0.4 |
| NIP200-SH | 79 | 0.14 | RB300-200 | 79 | 0.359 | SUV100FP | 17 | 0.4 |
| NIP2101 | 65 | 0.3 | RB400-300 | 79 | 1.032 | SUV125FP | 17 | 0.88 |
| NIP300-4 | 79 | 0.434 | RC100-075 | 79 | 0.15 | SUV150FP | 17 | 0.88 |
| NIP300-6 | 79 | 0.696 | RC150-100 | 79 | 0.2 | SUV200FP | 17 | 1.45 |
| NIP300-SH | 79 | 0.307 | RC150-125 | 79 | 0.206 | SW100 | 83 | 0.16 |
| PLUG025 | 80 | 0.03 | RC200-050 | 79 | 0.28 | SW150 | 83 | 0.36 |
| PLUG038 | 80 | 0.02 | RC200-100 | 79 | 0.26 | SW220 | 83 | 0.52 |
| PLUG050 | 80 | 0.02 | RC200-125 | 79 | 0.26 | TA283 | 67 | 0.2 |
| PLUG075 | 39, 80 | 0.04 | RC200-150 | 79 | 0.26 | TA283QD | 67 | 0.3 |
| PLUG100 | 80 | 0.06 | RC300-200 | 79 | 0.624 | TC120 | 78 | 0.1 |
| PLUG125 | 80 | 0.09 | RN050-038 | 79 | 0.018 | TC130 | 78 | 0.1 |
| PLUG150 | 80 | 0.1 | RN075-050 | 79 | 0.03 | TC150 | 78 | 0.11 |
| PLUG200 | 80 | 0.152 | RN100-050 | 79 | 0.06 | TC162 | 78 | 0.12 |
| PLUG300 | 80 | 0.445 | RN100-075 | 79 | 0.06 | TC181 | 78 | 0.14 |
| PV075 | 18 | 0.53 | RN125-075 | 79 | 0.086 | TC193 | 78 | 0.12 |
| PV100 | 18 | 0.52 | RN125-100 | 79 | 0.08 | TC206 | 78 | 0.14 |
| PV100-075 | 18 | 0.64 | RN150-100 | 79 | 0.122 | TC218 | 78 | 0.13 |
| PV100-075V | 18 | 0.35 | RN150-125 | 79 | 0.14 | TC224 | 78 | 0.14 |
| PV10265 | 18 | 0.07 | RN200-125 | 79 | 0.16 | TC231 | 78 | 0.15 |
| PV10265V | 18 | 0.2 | RN200-150 | 79 | 0.17 | TC250 | 78 | 0.16 |
| RB038-025 | 79 | 0.01 | RN300-200 | 79 | 0.365 | TC287 | 78 | 0.17 |
| RB050-018 | 6, 79 | 0.02 | RS21 | 83 | 0.756 | TC312 | 78 | 0.16 |
| RB050-025 | 79 | 0.02 | RSTB | 83 | 0.704 | TC331 | 78 | 0.17 |
| RB050-038 | 79 | 0.01 | SL025-90 | 81 | 0.02 | TC343 | 78 | 0.17 |
| RB075-025 | 79 | 0.04 | SL038-90 | 81 | 0.03 | TC425 | 78 | 0.18 |
| RB075-038 | 79 | 0.03 | SL050-90 | 81 | 0.06 | TC438 | 78 | 0.36 |
| RB075-050 | 79 | 0.03 | SL075-45 | 81 | 0.07 | TC456 | 78 | 0.38 |
| RB100-018 | 6, 79 | 0.60 | SL075-90 | 81 | 0.08 | TEE025 | 80 | 0.02 |
| RB100-025 | 79 | 0.07 | SL100-45 | 81 | 0.1 | TEE038 | 80 | 0.05 |
| RB100-050 | 79 | 0.05 | SL100-90 | 81 | 0.13 | TEE050 | 80 | 0.1 |
| RB100-075 | 79 | 0.04 | SL125-45 | 81 | 0.14 | TEE075 | 80 | 0.14 |
| RB125-038 | 6, 79 | 0.1 | SL125-90 | 81 | 0.14 | TEE100 | 80 | 0.21 |

REFERENCE

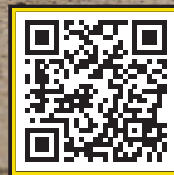
| PART NO | PAGE NO(S) | WEIGHT | PART NO | PAGE NO(S) | WEIGHT | PART NO | PAGE NO(S) | WEIGHT |
|---------|------------|--------|-----------|-------------------------------------------------------------------------------------------|--------|------------|-----------------------------------------------------------------|--------|
| TEE125 | 80 | 0.32 | TL6531 | 67 | 0.084 | V20018 | 103, 105, 115, 127, 129, 133, 135, 137, 139, 141, 151, 153, 155 | 0.004 |
| TEE150 | 80 | 0.445 | TLVA10 | 66 | 2.25 | V20019 | 133, 135, 137, 139, 155 | 0.016 |
| TEE200 | 80 | 0.584 | TM075/050 | 83 | 0.16 | V200BL | 15 | 2.8 |
| TEE300 | 80 | 1.594 | UB100 | 43 | 0.24 | V200FP | 9 | 3.25 |
| TEG075 | 80 | 0.14 | UB202 | 43 | 0.26 | V200SL | 15 | 2.75 |
| TEG100 | 80 | 0.22 | UB220 | 43 | 0.32 | V20153138 | 9 | 0.176 |
| TF038SS | 70 | 0.25 | UV050FP | 17 | 0.25 | V20207 | 67, 76 | 0.006 |
| TF050 | 70 | 0.25 | UV075FP | 17 | 0.25 | V204FP | 11 | 2.74 |
| TF050SS | 70 | 0.8 | UV100FP | 17 | 0.37 | V20200 | 6, 9, 31 | 0.206 |
| TF075 | 70 | 0.2 | UV125FP | 17 | 1 | V20353TS | 6, 15 | 0.002 |
| TF075SS | 70 | 1.15 | UV150FP | 17 | 1 | V25153138 | 9 | 0.16 |
| TF075V | 70 | 0.22 | UV15163 | 49, 87, 91, 99, 101, 103, 105, 109, 117, 119, 123, 125, 127, 129, 135, 137, 139, 143, 145 | 0.002 | V25200BL | 6, 15, 36 | N/A |
| TF100 | 70 | 0.35 | UV15163V | 91, 99, 103, 117, 149, 151, 153, 155 | 0.002 | V25270 | 9, 10 | 0.194 |
| TF100AV | 71 | 0.44 | UV200FP | 17 | 1.5 | V25271 | 9, 10 | 0.356 |
| TF100G | 6, 70 | N/A | UV204FPFD | 65 | 1.58 | V300 | 10 | 3.75 |
| TF100GV | 6, 70 | N/A | V050 | 9 | 0.75 | V300FP | 10 | 5.67 |
| TF100SS | 70 | 2.85 | V07018 | 99, 101, 103, 105, 107, 109, 111, 113, 115, 117, 119 | 0.1 | V400 | 10 | 8.5 |
| TF125 | 70 | 0.35 | V07019 | 99, 101, 103, 105, 107, 109, 111, 113, 115, 117, 119 | 0.008 | V40200 | 6, 10 | 4.2 |
| TF125AV | 71 | 0.386 | V075 | 9 | 0.75 | VA150 | 16 | 2.592 |
| TF125SS | 70 | 1.92 | V075BL | 15 | 1.35 | VA200 | 16 | 2.8 |
| TF138GV | 70 | 0.1 | V075SL | 15 | 1.35 | VA200FP | 16 | 3.958 |
| TF150 | 70 | 0.63 | V100 | 9 | 0.682 | VC200 | 71 | 0.219 |
| TF150AV | 71 | 0.68 | V100BL | 15 | 1.25 | VC230 | 71 | 0.26 |
| TF150SS | 70 | 4.88 | V100FP | 9 | 1.16 | VC300 | 71 | 0.54 |
| TF200 | 70 | 0.55 | V100SL | 15 | 1.31 | VC330 | 71 | 0.68 |
| TF200AV | 71 | 0.596 | V10117 | 145 | 0.1 | VFMT200FP | 10 | 3.368 |
| TF200SS | 70 | 3.6 | V10118 | 123, 125, 127, 129, 131, 133, 143, 145, 149, 151, 153, 155 | 0.004 | VFMT204FP | 11 | 3.33 |
| TF200V | 70 | 0.56 | V10119 | 103, 123, 125, 127, 129, 131, 143, 149, 151, 153, 155 | 0.1 | VL20153 | 9 | 0.35 |
| TF220 | 70 | 0.82 | V10153138 | 9 | 0.07 | VL25153 | 10 | 0.41 |
| TF220G | 70 | 0.038 | V10161 | 16 | 0.176 | VN100 | 16 | 0.712 |
| TF220SS | 70 | 5.27 | V10264 | 147 | 0.002 | VS204FP | 13 | 1.834 |
| TF300 | 70 | 2 | V10270 | 9 | 0.138 | VS30200 | 6, 34 | N/A |
| TF300G | 70 | 0.094 | V10271 | 9 | 0.14 | VS30200 | 6, 34 | N/A |
| TF300SS | 70 | 7.9 | V125 | 9 | 1.25 | VS30200 | 6, 34 | N/A |
| TF400 | 70 | 4.5 | V125BL | 15 | 2.126 | VS30200 | 6, 34 | N/A |
| TF400G | 70 | 0.7 | V125FP | 9 | 1.91 | VSBHB204FP | 7 | 2.675 |
| TF400GV | 70 | 0.752 | V125SL | 15 | 2.07 | VSBHB205FP | 7 | 2.965 |
| TL600C | 66 | 0.46 | V150 | 9 | 1.87 | VSBHB304FP | 7 | 5.1 |
| TL650S | 66 | 0.5 | V150BL | 15 | 2 | VSBHB305FP | 7 | 5.52 |
| TL651S | 66 | 0.7 | V150SL | 15 | 2 | VSF200 | 12 | 1.25 |
| TL652E | 66 | 0.64 | V200 | 9 | 1.88 | VSF200CF | 32 | 1.49 |
| TL652S | 66 | 0.63 | | | | VSF200PPAF | 11 | 3.05 |
| | | | | | | VSF204FP | 13 | 1.82 |
| | | | | | | VSF300 | 14 | 3.424 |
| | | | | | | VSFHB200 | 12 | 1.52 |

| PART NO | PAGE NO(S) | WEIGHT |
|--------------|------------|--------|
| VSFMT200 | 12 | 1.562 |
| VSFMT204FP | 13 | 1.862 |
| VSFMT204HSFP | 13 | 2.95 |
| VSFMT300 | 14 | 3.374 |
| VSFMT300FP | 14 | 4.29 |
| VSFMT300HSFP | 14 | 6.63 |
| VSMT200 | 12 | 1.35 |
| VSMT200CF | 32 | 1.432 |
| VSMT204FP | 13 | 1.874 |
| VSMT300 | 14 | 3.27 |
| VSS025 | 18 | 0.634 |
| VSS038 | 18 | 0.59 |
| VSS050 | 18 | 0.7 |
| VSS075 | 18 | 1.298 |
| VSS100 | 18 | 2.094 |
| VSS150 | 18 | 3.996 |
| VSS200 | 18 | 6.808 |
| VSS300 | 18 | 18.43 |
| W230237 | 64 | 1.07 |
| W230238 | 64 | 1.17 |
| W230239 | 64 | 1.07 |
| W230240 | 64 | 1.1 |
| WSF210FSA | 64 | 1.2 |
| WSF210FSAV | 64 | 1 |
| WSMT210FSA | 64 | 1.07 |
| WSMT210FSAV | 64 | 1 |



BANJO CORPORATION
A Unit of IDEX Corporation
150 Banjo Drive
Crawfordsville, IN 47933 U.S.A.
Telephone: (765) 362-7367
Fax: (765) 362-0744
banjocorp.com
#OriginalYellowHandle

Follow us on:



Scan to visit
BanjoCorp.com